

# **PARTS CATALOGUE**

60FET '01 (6H21)

60FETO '01 (6H20)

70BETO '01 (6H30)

# FOREWORD

This Parts Catalogue is related to the parts for the model(s) in the below frame. When you are ordering replacement parts, please refer to this Parts Catalogue and quote both part numbers and part names correctly.

60FET'01(6H21), 60FETO'01(6H20)  
70BETO'01(6H30)

1. Modifications or additions which have been made after issue of the Parts Catalogue will be announced in the Yamaha Parts News.  
It is advisable that you make necessary corrections to the Parts Catalogue according to the Yamaha Parts News.

2. Abbreviations

The Following abbreviations are used in this Parts Catalogue.

- "UR" Use specified parts number.
- "UN" Use as many as needed.
- "AP" Alternate Parts
- "LM" Local Made  
(Parts need to be ordered locally)
- "O/S" Over Size

3. Parts, which are to be supplied in an assembly, are listed with a dot(.) in front of the part name as shown below.

EXAMPLE  
 CARBURETOR ASSY  
 .JET, PILOT  
 .NOZZLE, MAIN

4. Number of component for assembly

The numeral appearing to the right of each component part indicates the quantity of parts for each assembly unit.

EXAMPLE

PART NO.	DESCRIPTION	U	H	HT		REMARKS
6E0-85500-70	C.D.I. MAGNETO ASSY	1				
6E0-85550-70	.ROTOR ASSY	1				
6E0-15723-00-94	.PULLY, STARTER	1				

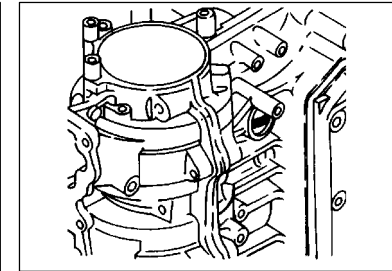
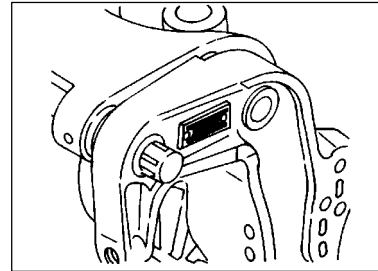
5. Quantity Column Information

NAME for Q'TY COLUMN	APPLICABLE MODEL
60ET	60FET
6ETO	60FETO
7ETO	70BETO

6. Applicable Starting Serial No. and Color Code

1) Engine Starting Sserial No.

60FET L : 363115 60FETO L : 474381	70BETO L : 495840 X : 731314
---------------------------------------	---------------------------------



2) Color Code

Color Code	Color Name	Abbreviation
004D	DARK BLUISH GRAY METALLIC 2	DBNM2

7. Note that the illustrations for reference in finding parts numbers, not to be used for assembling. When assembling, please use the applicable service manual.

8. The asterisk (\*) before a reference number indicates modification items after the first edition.

# CONTENTS

## SHEET 1/2

TOP COWLING .....	A4
CYLINDER. CRANKCASE .....	A6
CRANKSHAFT. PISTON .....	B1
INTAKE 1 .....	B2
INTAKE 2 .....	B3
CARBURETOR 1 .....	B4
CARBURETOR 2 .....	B6
OIL PUMP .....	C1
FUEL .....	C4
GENERATOR .....	C6
ELECTRICAL .....	C7
STARTING MOTOR .....	D3
BOTTOM COWLING .....	D4
CONTROL .....	D6
BRACKET 1 .....	E1
BRACKET 2 .....	E3
POWER TRIM & TILT ASSY .....	E5
UPPER CASING .....	F1
LOWER CASING. DRIVE 1 .....	F2
LOWER CASING. DRIVE 2 .....	F6

## INDEX

NUMERICAL INDEX .....	G1
-----------------------	----

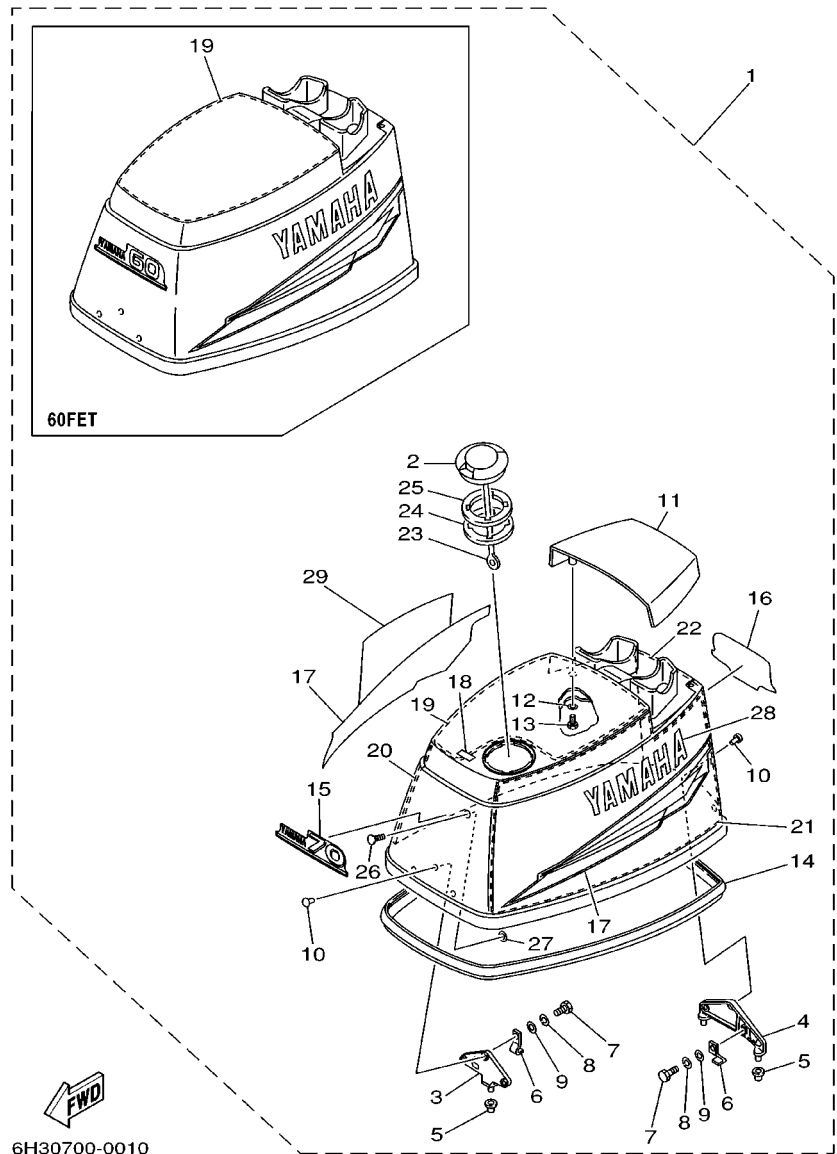
## SHEET 2/2

LOWER CASING. DRIVE 2 .....	A4*
LOWER CASING. DRIVE 3 .....	A6*
FUEL TANK .....	B1*
STEERING GUIDE .....	B2*
REMOTE CONTROL BOX .....	B3*
REMOTE CONTROL ASSY 1 .....	B4*
REMOTE CONTROL ASSY 2 .....	B7*
METER .....	C3*
REPAIR KIT 1 .....	C5*
REPAIR KIT 2 .....	C7*
REPAIR KIT 3 .....	D2*

## INDEX

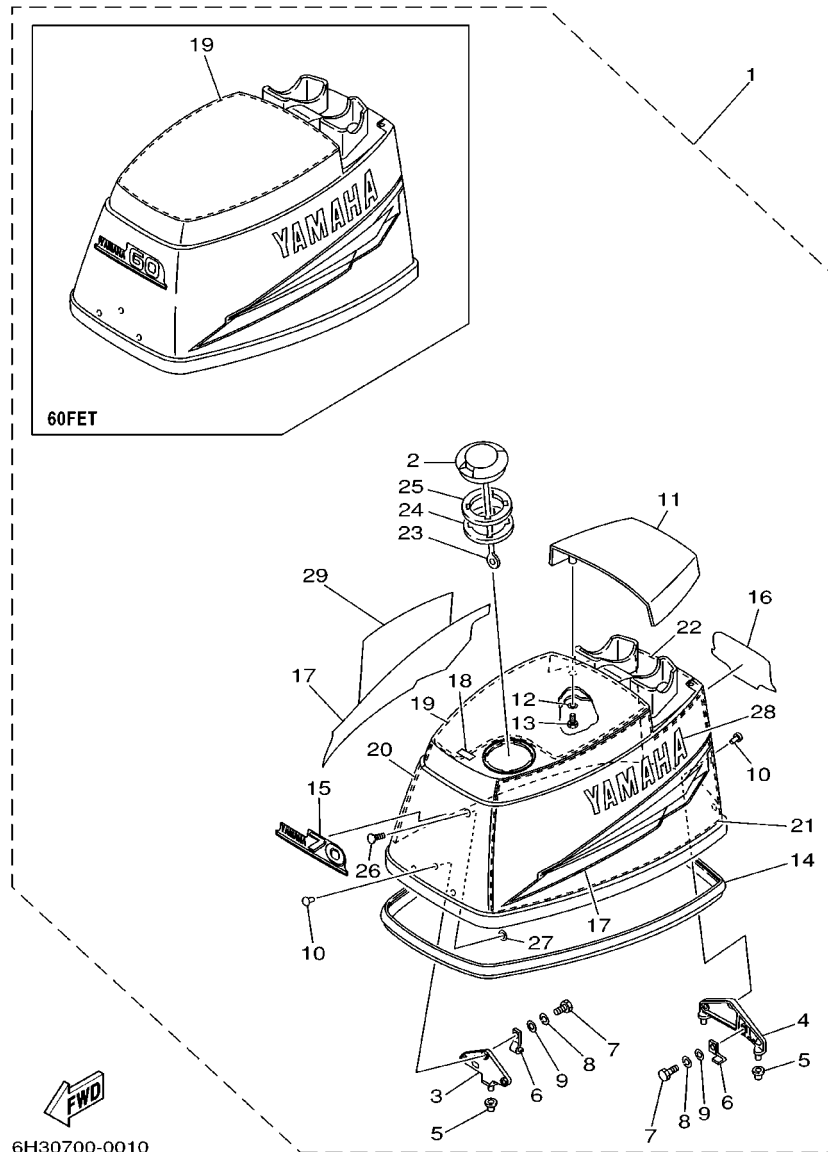
NUMERICAL INDEX .....	G1*
-----------------------	-----

FIG. 1 TOP COWLING

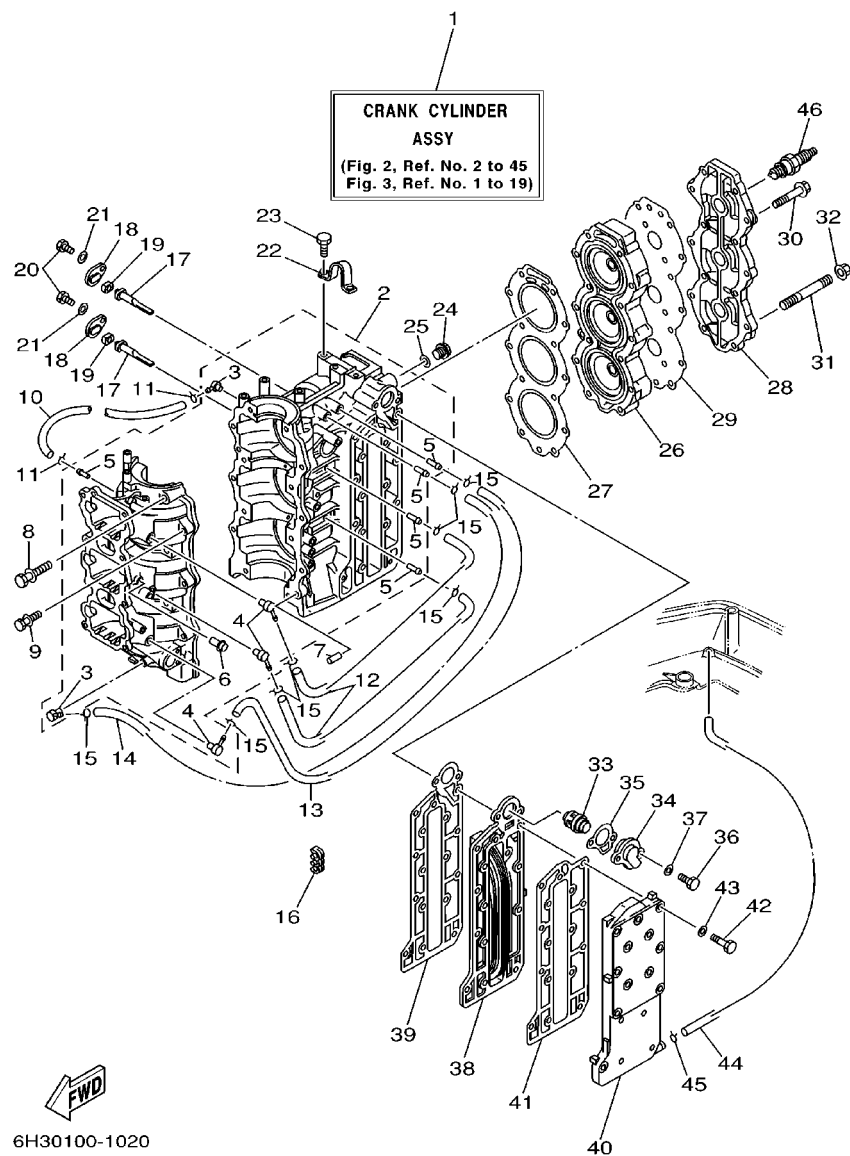


REF. NO.	PART NO.	DESCRIPTION	60ET	6ETO	7ETO	REMARKS
1	6H3-42610-30-4D	TOP COWLING ASSY			1	
	6H2-42610-46-4D	TOP COWLING ASSY		1		
	6H2-42610-33-4D	TOP COWLING ASSY	1			
2	63D-2177H-00	.DISK CAP 2		1	1	
3	6H3-42647-00-94	.HOLDER, CLAMP BAND	1	1	1	
4	6H3-42649-00-94	.HOLDER, CLAMP BAND	1	1	1	
5	663-42662-00	.DAMPER	3	3	3	
6	6H3-42652-00	.HOOK	2	2	2	
7	97095-06016	.BOLT	2	2	2	
8	92995-06100	.WASHER, SPRING	2	2	2	
9	92995-06600	.WASHER	2	2	2	
10	90266-06009	.RIVET	6	6	6	
11	6H3-42613-01-4D	.MOLDING, AIR DUCT	1	1	1	
12	97095-06016	.BOLT	4	4	4	
13	92995-06600	.WASHER	4	4	4	
14	6H3-42615-00	.SEAL	1	1	1	
15	6H3-42677-30	.GRAPHIC, FRONT			1	
	6H2-42677-30	.GRAPHIC, FRONT	1	1		
16	6H3-42678-30	.GRAPHIC, REAR			1	
	6H2-42678-30	.GRAPHIC, REAR	1	1		
17	6H3-W0070-30	.GRAPHIC SET	1	1	1	
18	6H3-13436-00	.MARK			1	
	6H3-13436-40	.MARK		1		
19	6H3-42617-10	.DAMPER, FORM		1	1	
	6H3-42617-00	.DAMPER, FORM	1			
20	6H3-42619-00	.DAMPÉR, FÖRM	1	1	1	
21	6H3-42627-00	.DAMPER, FORM	1	1	1	

FIG. 1 TOP COWLING



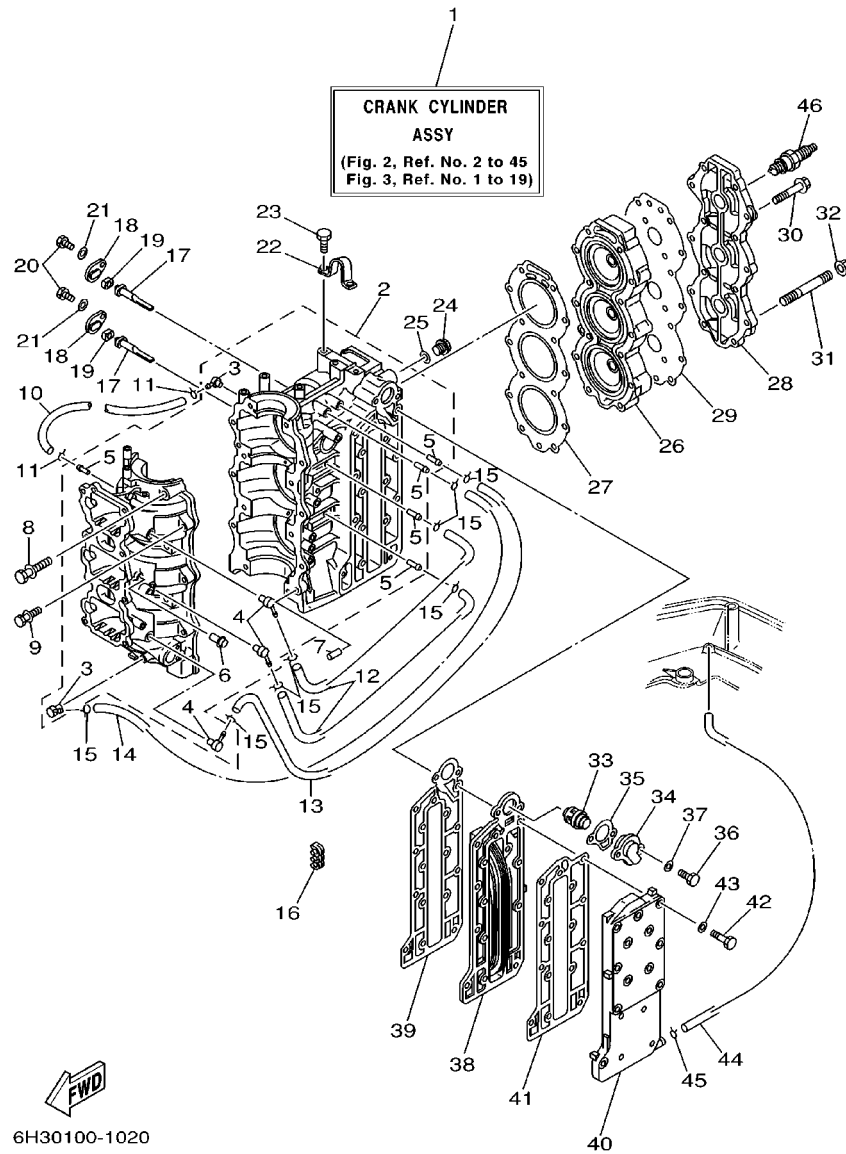
REF. NO.	PART NO.	DESCRIPTION	60ET	6ETO	7ETO	REMARKS
22	6H3-42637-00	.DAMPER, FORM	1	1	1	
23	6H1-42694-00	.BAND		1	1	
24	6H3-21732-00	.SEAL 1		1	1	
25	6H3-21735-00	.SEAL 2		1	1	
26	90338-05M03	.PLUG		1	1	
27	90183-05M06	.NUT, SPRING		1	1	
28	6H3-42681-30	.MARK, COWLING	1	1	1	
29	6H3-42682-30	.MARK, COWLING	1	1	1	



6H30100-1020

FIG. 2 CYLINDER, CRANKCASE

REF. NO.	PART NO.	DESCRIPTION	60ET	6ETO	7ETO	REMARKS
1	6H3-W0090-42-4D	CRANK CYLINDER ASSY		1	1	
	6H3-W0090-31-4D	CRANK CYLINDER ASSY	1			N.O/I, M/CHOKE
2	6H3-15100-13-94	CRANKCASE ASSY		1	1	
	6B0-15100-01-94	CRANKCASE ASSY	1			N.O/I, M/CHOKE
3	688-11370-00	.CHECK VALVE ASSY	2	2	2	
4	650-11370-00	.CHECK VALVE ASSY	3	3	3	
5	624-14485-00	.PIPE, JOINT	5	5	5	
6	650-24378-00	.PIPE, JOINT 4	1	1	1	
7	93608-12063	PIN, DOWEL	2	2	2	
8	90119-10M07	BOLT, WITH WASHER	8	8	8	
9	90119-08M17	BOLT, WITH WASHER	6	6	6	
10	90445-07M44	HOSE (L250)	1	1	1	
11	90467-06016	CLIP	2	2	2	
12	90445-07M02	HOSE (L167)	2	2	2	
13	90445-07M45	HOSE (L340)	1	1	1	
14	90445-07M82	HOSE (L440)	1	1	1	
15	90467-06016	CLIP	8	8	8	
16	90464-07M05	CLAMP	1	1	1	
17	6H3-11325-01	ANODE	2	2	2	
18	6H3-11327-00-94	COVER, ANODE	2	2	2	
19	6H3-11328-00	GROMMET, ANODE	2	2	2	
20	97013-06016	BOLT	2	2	2	
21	92903-06600	WASHER, PLATE	2	2	2	
22	688-11119-00	HANGER, ENGINE	1	1	1	
23	97013-08020	BOLT	2	2	2	
24	90340-14M00	PLUG, STRAIGHT SCREW	1	1	1	
25	90430-14115	GASKET	1	1	1	

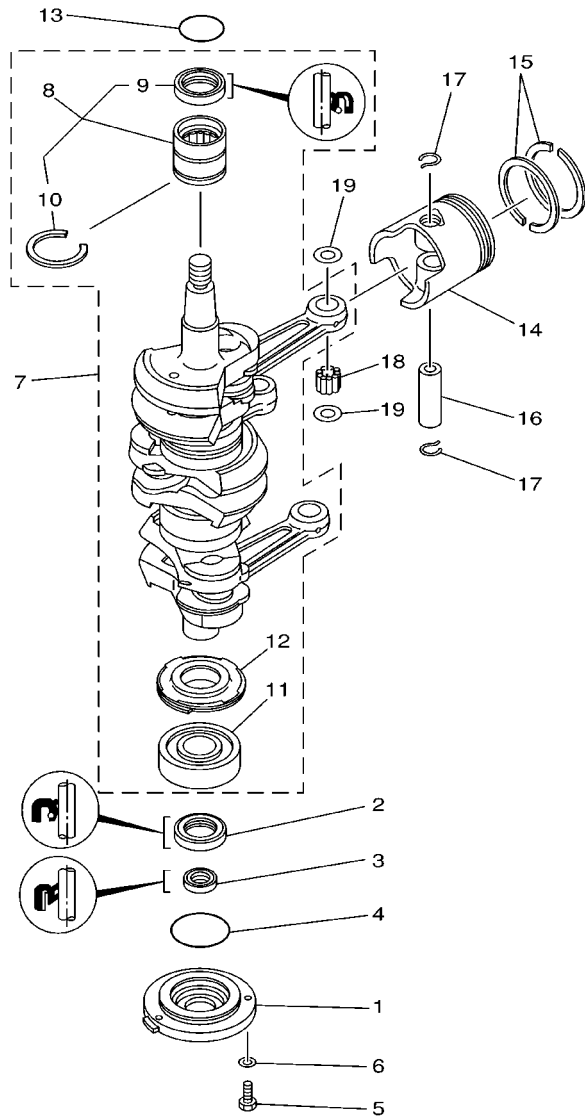


6H30100-1020

FIG. 2 CYLINDER, CRANKCASE

REF. NO.	PART NO.	DESCRIPTION	60ET	6ETO	7ETO	REMARKS
26	6H3-11111-01-94	HEAD, CYLINDER 1	1	1	1	
27	6H3-11181-A1	GASKET, CYLINDER HEAD 1	1	1	1	
28	6H3-11191-00-9M	COVER, CYLINDER HEAD 1	1	1	1	
29	6H3-11193-A1	GASKET, HEAD COVER 1	1	1	1	
30	90119-08M09	BOLT, WITH WASHER	13	13	13	
31	90116-08M69	BOLT, STUD	1	1	1	
32	90179-08M34	NUT	1	1	1	
33	6H3-12411-10	THERMOSTAT	1	1	1	
34	6H3-12413-00-9M	COVER, THERMOSTAT	1	1	1	
35	6H3-12414-A1	GASKET, COVER	1	1	1	
36	97013-06025	BOLT	2	2	2	
37	92903-06600	WASHER, PLATE	2	2	2	
38	6H3-41111-01-9M	INNER COVER, EXHAUST	1	1	1	
39	6H3-41112-A0	GASKET, EXHAUST INNER COVER	1	1	1	
40	6H3-41113-02-9M	OUTER COVER, EXHAUST	1	1	1	
41	6H3-41114-A0	GASKET, EXHAUST OUTER COVER	1	1	1	
42	97013-06035	BOLT	16	16	16	
43	92903-06600	WASHER, PLATE	16	16	16	
44	663-24312-01	PIPE 2	1	1	1	
45	90467-08004	CLIP	1	1	1	
46	94702-00247	PLUG, SPARK (NGK BR8HS-10)	3	3	3	

FIG. 3 CRANKSHAFT. PISTON



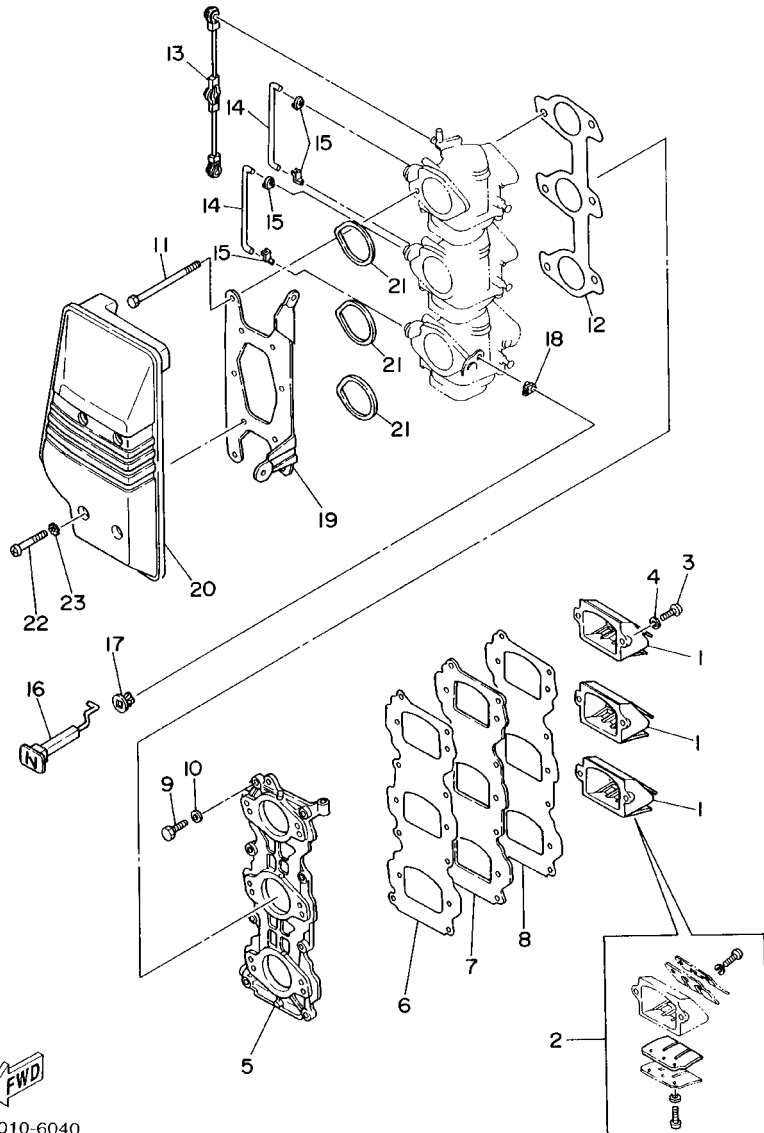
REF. NO.	PART NO.	DESCRIPTION	60ET	6ETO	7ETO	REMARKS
1	6H3-15359-00-94	HOUSING, OIL SEAL	1	1	1	
2	93102-30M23	OIL SEAL	1	1	1	
3	93106-18M01	OIL SEAL	1	1	1	
4	93210-65M50	O-RING	1	1	1	
5	97095-06020	BOLT	3	3	3	
6	92995-06600	WASHER	3	3	3	
7	6H3-11400-11	CRANKSHAFT ASSY		1	1	
	6H3-11400-03	CRANKSHAFT ASSY	1			
8	93311-636U6	.BEARING	1	1	1	
9	93102-36M24	..OIL SEAL	1	1	1	
10	93440-49M04	..CIRCLIP	1	1	1	
11	93306-306V1	.BEARING	1	1	1	
12	6H3-11536-00	.GEAR, DRIVE		1	1	
13	93210-46M16	O-RING	1	1	1	
14	6H3-11631-01-96	PISTON (STD)	3	3	3	
	6H3-11635-01	PISTON (0.25MM O/S)	3	3	3	AP
	6H3-11636-01	PISTON (0.50MM O/S)	3	3	3	AP
15	6K5-11601-02	PISTON RING SET (STD)	3	3	3	
	6K5-11601-12	PISTON RING SET (0.25MM O/S)	3	3	3	AP
	6K5-11601-22	PISTON RING SET (0.50MM O/S)	3	3	3	AP
16	6H3-11633-00	PIN, PISTON	3	3	3	
17	688-11634-10	CLIP, PISTON PIN	6	6	6	
18	93603-18M09	PIN, DOWEL	84	84	84	
19	90201-20417	WASHER, PLATE	6	6	6	



6H30010-9030



FIG. 4 INTAKE 1

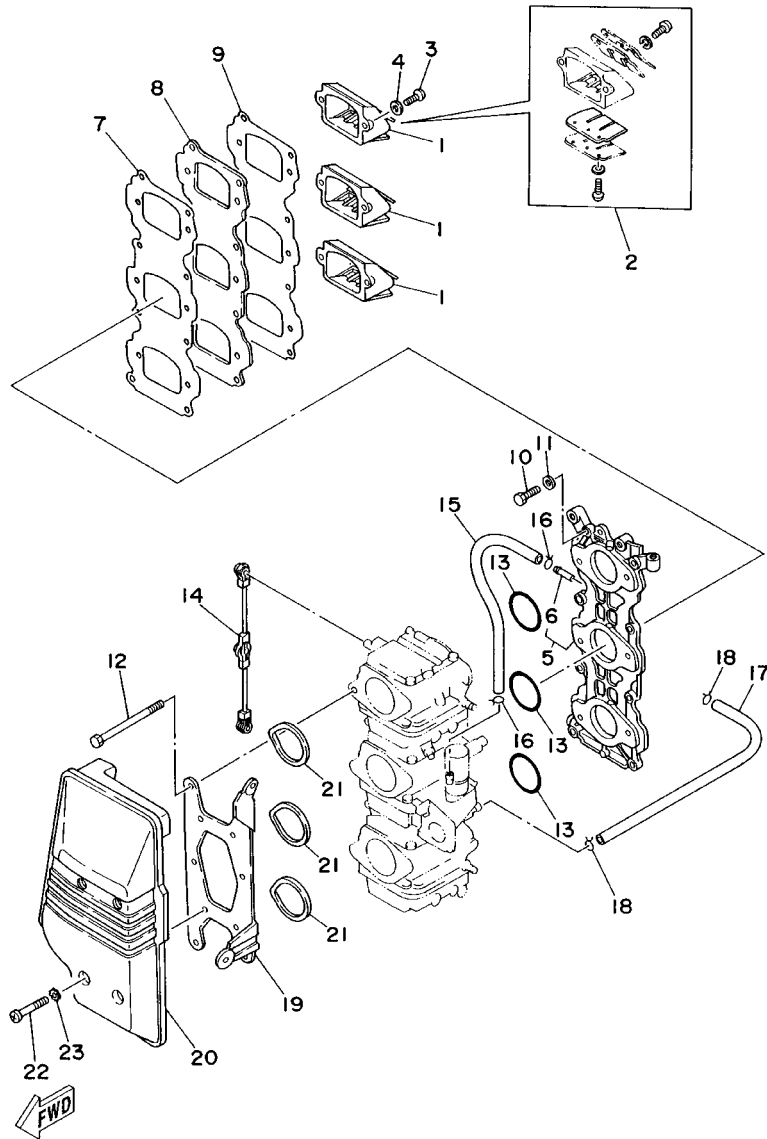


6H20010-6040

REF. NO.	PART NO.	DESCRIPTION	60ET	6ETO	7ETO	REMARKS
1	6H2-13610-00	REED VALVE ASSY	3			
2	688-W0004-00	.REED SET	1			
3	97880-05016	SCREW, PAN HEAD	6			
4	92990-05600	WASHER, PLATE	6			
5	6H3-13641-03-94	MANIFOLD 1	1			
6	6H3-13621-A1	GASKET, VALVE SEAT	1			
7	6H3-13624-00-94	PLATE, REED VALVE	1			
8	6H3-13622-A1	GASKET, VALVE SEAT	1			
9	97013-06025	BOLT	8			
10	92903-06600	WASHER, PLATE	8			
11	97095-06095	BOLT	6			
12	6H3-14198-A1	GASKET	1			
13	6H3-41217-00	ROD, ACCEL. LEVER	1			
14	6H3-41257-00	ROD, CHOKE 2	2			
15	661-41262-02	JOINT, CHOKE LEVER	4			
16	6H3-41271-00	KNOB, CHOKE	1			
17	689-41273-00	GROMMET	1			
18	661-41262-02	JOINT, CHOKE LEVER	1			
19	6H3-14413-10	STAY	1			
20	6H3-14440-02	SILENCER ASSY, INTAKE	1			
21	6H3-14457-01	SEAL	3			
22	97885-06045	SCREW, PAN HEAD	4			
23	90209-06M05	WASHER	4			

FIG. 5 INTAKE 2

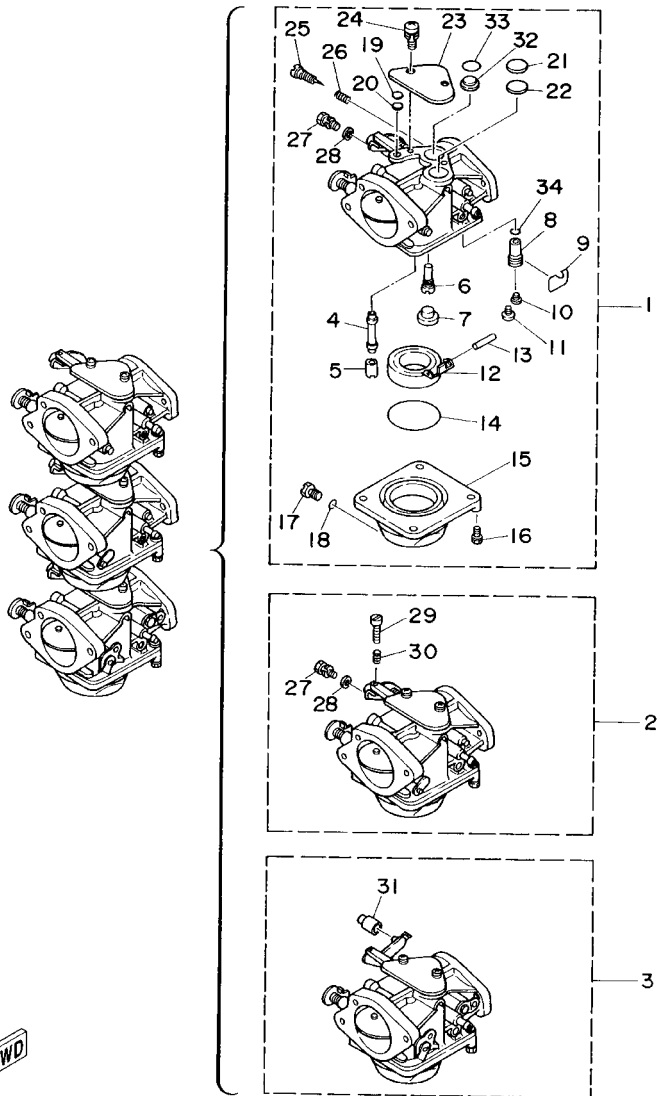
REF. NO.	PART NO.	DESCRIPTION	60ET	6ETO	7ETO	REMARKS
1	6H3-13610-00	REED VALVE ASSY			3	
	6H2-13610-00	REED VALVE ASSY		3		
2	688-W0004-00	.REED SET		1	1	
3	97880-05016	SCREW, PAN HEAD		6	6	
4	92990-05600	WASHER, PLATE		6	6	
5	6H3-13641-13-94	MANIFOLD 1		1	1	
6	6H1-14485-00	.PIPE, JOINT		4	4	
7	6H3-13621-A1	GASKET, VALVE SEAT		1	1	
8	6H3-13624-00-94	PLATE, REED VALVE		1	1	
9	6H3-13622-A1	GASKET, VALVE SEAT		1	1	
10	97013-06025	BOLT		8	8	
11	92903-06600	WASHER, PLATE		8	8	
12	97095-06095	BOLT		6	6	
13	93210-39ME4	O-RING		3	3	
14	6H3-41217-00	ROD, ACCEL. LEVER		1	1	
15	90445-07255	HOSE (L160)		1	1	
16	90467-06016	CLIP		2	2	
17	6H3-14349-00	PIPE		1	1	
18	90467-08004	CLIP		2	2	
19	6H3-14413-10	STAY		1	1	
20	6H3-14440-02	SILENCER ASSY, INTAKE		1	1	
21	6H3-14457-01	SEAL		3	3	
22	97885-06045	SCREW, PAN HEAD		4	4	
23	90209-06M05	WASHER		4	4	



6H30010-4040

FIG. 6 CARBURETOR 1

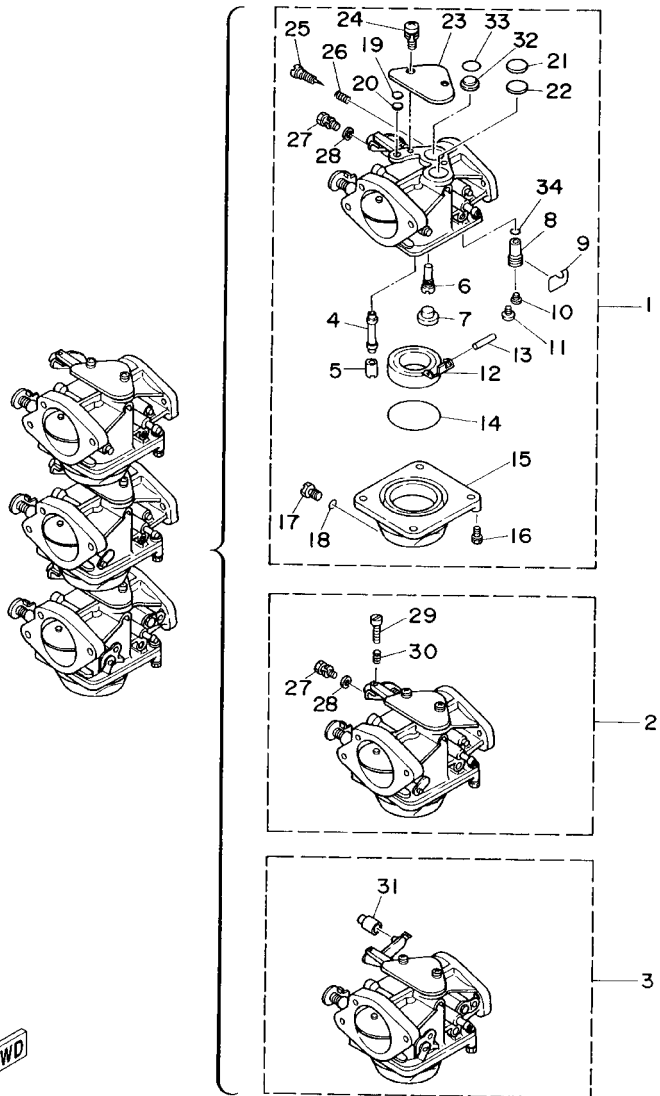
REF. NO.	PART NO.	DESCRIPTION	60ET	6ETO	7ETO	REMARKS
1	6H2-14301-10	CARBURETOR ASSY 1	1			
2	6H2-14302-10	CARBURETOR ASSY 2	1			
3	6H2-14303-10	CARBURETOR ASSY 3	1			
4	6H3-14947-07	.JET, NEEDLE	3			
5	676-14943-35	.JET, MAIN (#140)	2			#1,2
	676-14943-36	.JET, MAIN (#145)	1			#3
6	6H3-14948-16	.JET (#72)	3			
7	676-14966-00	.CAP	3			
8	6H3-14590-00	.NEEDLE VALVE ASSY	3			
9	663-14159-00	.CLIP	3			
10	676-14186-00	.PIN, FLOAT	3			
11	98502-04008	.SCREW, PAN HEAD	3			
12	6G1-14985-00	.FLOAT	3			
13	688-14548-00	.PIN, FLOAT ARM	3			
14	6G1-14984-00	.O-RING	3			
15	6H2-14980-00	.BODY, FLOAT CHAMBER	3			
16	97980-04114	.SCREW, WITH WASHER	12			
17	6H3-14992-00	.SCREW, DRAIN	3			
18	93210-04230	.O-RING	3			
19	663-14126-00	.GASKET	3			
20	663-14527-00	.PLATE	3			
21	688-14126-00	.GASKET	3			
22	688-14527-00	.PLATE	3			
23	6H2-14527-01	.PLATE	3			
24	97980-05310	.SCREW, WITH WASHER	6			
25	692-14923-00	.SCREW, PILOT	3			
26	679-14555-00	.SPRING	3			



6H20010-6050

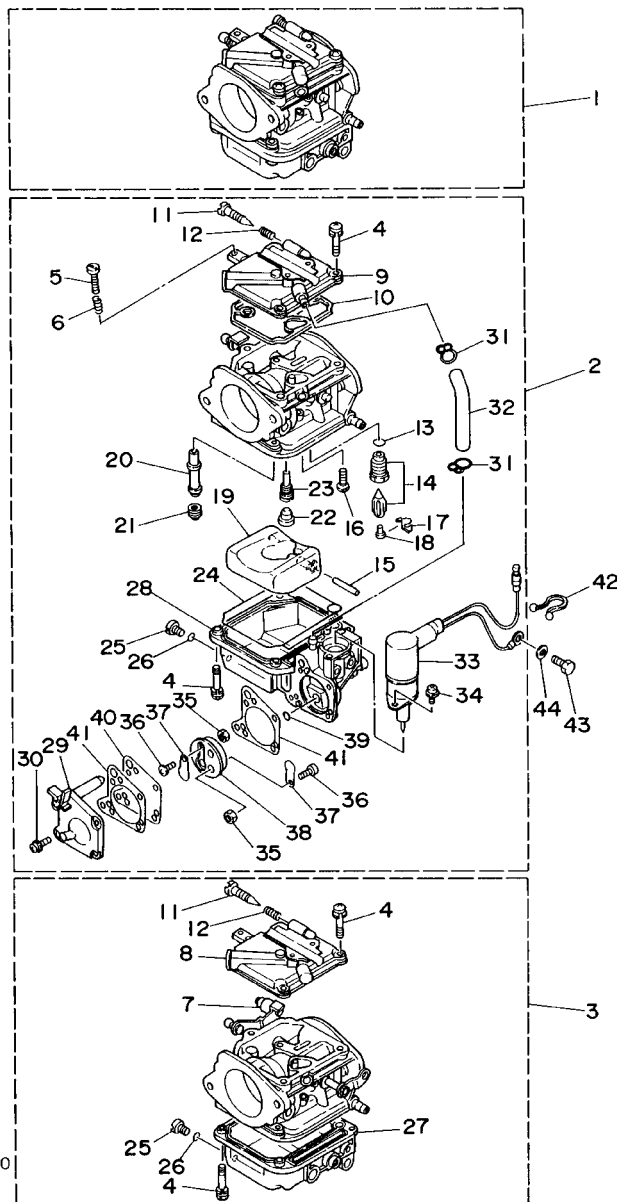
FIG. 6 CARBURETOR 1

REF. NO.	PART NO.	DESCRIPTION	60ET	6ETO	7ETO	REMARKS
27	6K5-14592-00	.SCREW	2			#1,2
28	90201-05652	.WASHER, PLATE	2			#1,2
29	63V-14523-00	.SCREW, STOP	1			#2
30	90501-10326	.SPRING, COMPRESSION	1			#2
31	6H3-17578-00	.COLLAR	1			#3
32	6H3-14578-00	.PLATE	3			
33	93210-15M52	.O-RING	3			
34	93210-04228	.O-RING	3			



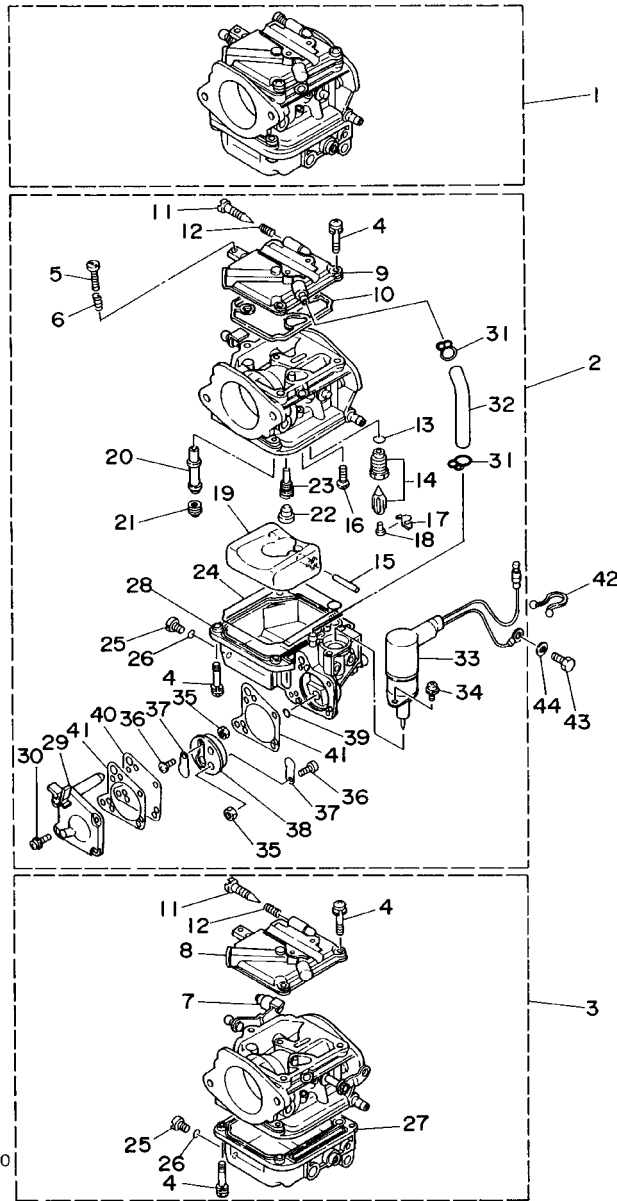
6H20010-6050

FIG. 7 CARBURETOR 2



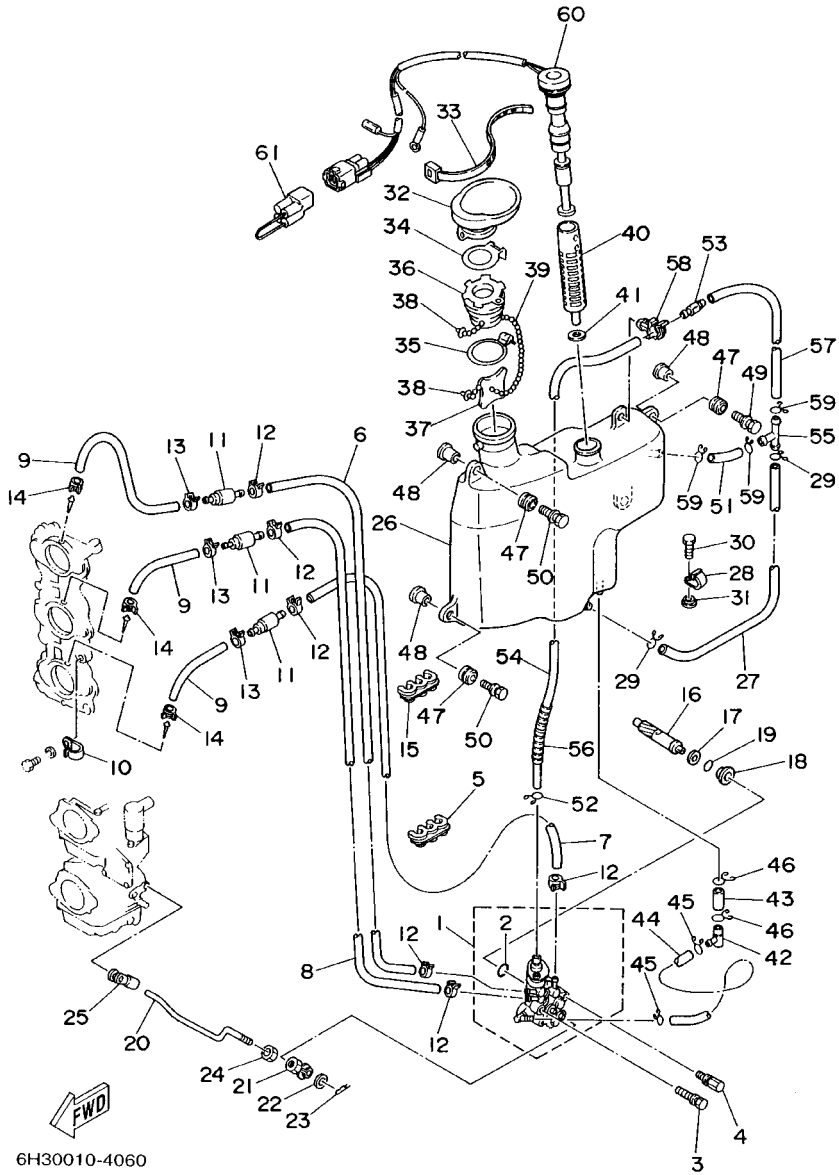
REF. NO.	PART NO.	DESCRIPTION	60ET	6ETO	7ETO	REMARKS
1	6H3-14301-0A	CARBURETOR ASSY 1			1	
	6H2-14301-0A	CARBURETOR ASSY 1		1		
2	6H3-14302-0A	CARBURETOR ASSY 2			1	
	6H2-14302-0A	CARBURETOR ASSY 2		1		
3	6H3-14303-0A	CARBURETOR ASSY 3			1	
	6H2-14303-0A	CARBURETOR ASSY 3		1		
4	97980-04114	.SCREW, WITH WASHER		21	21	
5	63V-14523-00	.SCREW, STOP		1	1	#2
6	90501-10326	.SPRING, COMPRESSION		1	1	#2
7	6H2-14578-00	.COLLAR		1	1	#3
8	6H4-14146-00	.PLATE		2	2	#1,3
9	6H3-14146-10	.PLATE		1	1	#2
10	6H4-14147-00	.O-RING		3	3	
11	692-14923-00	.SCREW, PILOT		3	3	
12	697-14555-00	.SPRING		3	3	
13	93210-04228	.O-RING		3	3	
14	6H3-14590-00	.NEEDLE VALVE ASSY		3	3	
15	6H4-14548-00	.PIN, FLOAT ARM		3	3	
16	98580-04008	.SCREW, PAN HEAD		3	3	
17	663-14159-00	.CLIP		3	3	
18	676-14186-00	.PIN, FLOAT		3	3	
19	6H4-14985-01	.FLOAT		3	3	
20	6H3-14947-71	.JET, NEEDLE			3	
	6H2-14947-71	.JET, NEEDLE		3		
21	6H3-14943-37	.JET, MAIN (#150)			3	
	6H3-14943-35	.JET, MAIN (#140)		2		#1,2
	6H3-14943-36	.JET, MAIN (#145)		1		#3

FIG. 7 CARBURETOR 2



REF. NO.	PART NO.	DESCRIPTION	60ET	6ETO	7ETO	REMARKS
22	676-14966-00	.CAP		3	3	
23	6H3-14948-17	.JET (#75)			3	
	6H3-14948-13	.JET (#65)		3		
24	6H4-14984-00	.GASKET, FLOAT CHAMBER		3	3	
25	6H3-14992-00	.SCREW, DRAIN		3	3	
26	93210-04230	.O-RING		3	3	
27	6H4-14980-00	.BODY, FLOAT CHAMBER		2	2	#1,3
28	6H3-14980-10	.BODY, FLOAT CHAMBER		1	1	#2
29	6H3-24452-10	.COVER		1	1	#2
30	6H4-14567-00	.SCREW		4	4	#2
31	6H3-14137-00	.CLIP		2	2	#2
32	6H3-14349-00	.PIPE		1	1	#2
33	6H3-14380-00	.STARTER ASSY		1	1	#2
34	97803-04010	.SCREW, PAN HEAD		2	2	#2
35	95380-03600	.NUT		2	2	#2
36	98980-03006	.SCREW, BIND		2	2	#2
37	6L5-24421-00	.VALVE, CHECK		2	2	#2
38	6H4-24413-00	.BODY 2		1	1	#2
39	6H4-24486-00	.O-RING		1	1	#2
40	6H3-24411-10	.DIAPHRAGM		1	1	#2
41	6H3-24434-10	.GASKET, BODY		2	2	#2
42	90465-18147	CLAMP		1	1	
43	97013-06012	BOLT		1	1	
44	92903-06600	WASHER, PLATE		1	1	

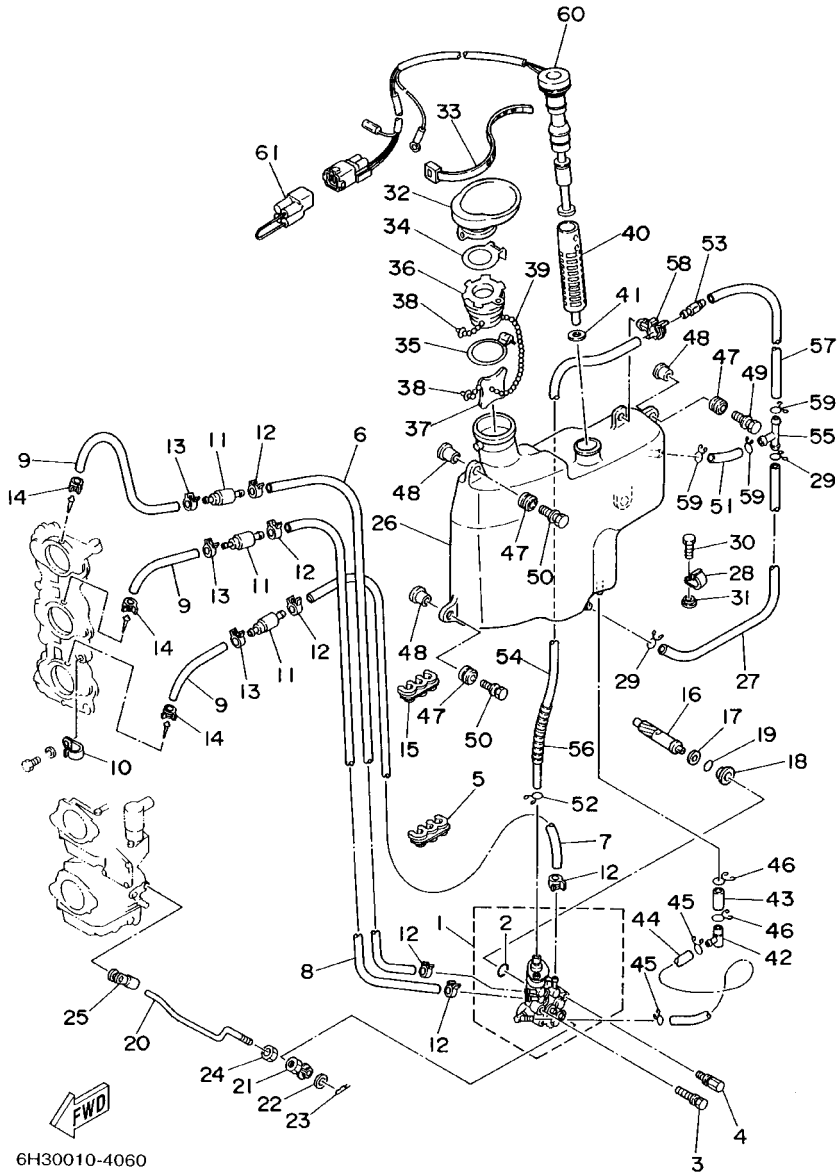
FIG. 8 OIL PUMP



6H30010-4060

REF. NO.	PART NO.	DESCRIPTION	60ET	6ETO	7ETO	REMARKS
1	6H3-13200-02	OIL INJECTION PUMP ASSY		1	1	
2	93210-19MA7	.O-RING		1	1	
3	90109-06M39	BOLT		1	1	
4	90109-06M40	BOLT		1	1	
5	90464-07M05	CLAMP		1	1	
6	90445-07M44	HOSE (L250)		1	1	
7	90445-07M23	HOSE (L408)		1	1	
8	90445-07MA5	HOSE (L150)		1	1	
9	90445-07M87	HOSE (L110)		3	3	
10	90465-06M86	CLAMP		1	1	
11	6E9-13183-70	VALVE, CHECK		3	3	
12	90468-07M02	CLIP		6	6	
13	90468-07M02	CLIP		3	3	
14	90468-07M02	CLIP		3	3	
15	90464-07M05	CLAMP		1	1	
16	6H3-11537-01	GEAR, DRIVEN		1	1	
17	90201-08M93	WASHER, PLATE		1	1	
18	6H1-13117-01	COLLAR, DISTANCE		1	1	
19	93210-13M04	O-RING		1	1	
20	6H3-41241-01	ROD, LINK		1	1	
21	6H1-41237-00	JOINT, LINK		1	1	
22	90202-05088	WASHER, PLATE		1	1	
23	90468-05M03	CLIP		1	1	
24	95380-05600	NUT		1	1	
25	6E9-41237-00	JOINT, LINK		1	1	
26	6H3-21707-06	OIL TANK COMP.		1	1	
27	90445-11M03	HOSE (L330)		1	1	

FIG. 8 OIL PUMP

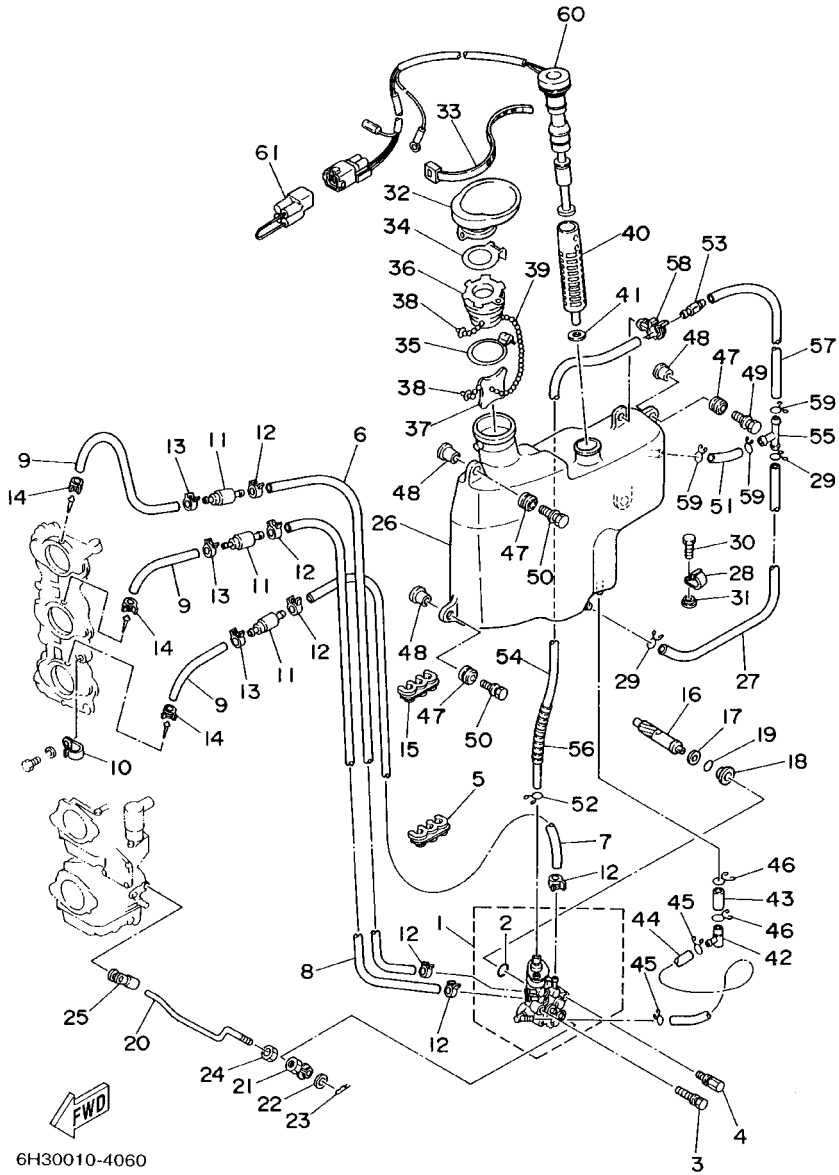


6H30010-4060

REF. NO.	PART NO.	DESCRIPTION	60ET	6ETO	7ETO	REMARKS
28	90465-11M27	CLAMP		1	1	
29	90467-11M08	CLIP		2	2	
30	97095-06016	BOLT		1	1	
31	90387-06M31	COLLAR		1	1	
32	6H3-21752-00	TUBE, FILLER 1		1	1	
33	90465-13M30	CLAMP		1	1	
34	63D-2176M-00	HOOK		1	1	
35	63D-2175R-00	HOOK, BAND		1	1	
36	6H4-21770-00	OIL TANK CAP ASSY		1	1	
37	6J8-21758-00	WASHER, SPECIAL 2		1	1	
38	6H1-21757-00	WASHER, SPECIAL 1		2	2	
39	6H1-24633-00	CHAIN, BALL		1	1	
40	6J8-13411-00	STRAINER, OIL		1	1	
41	6J8-13414-00	GASKET, STRAINER COVER		1	1	
42	6H1-13435-00	NIPPLE		1	1	
43	90445-08M01	HOSE (L30)		1	1	
44	6H1-21766-01	PIPE, OIL		1	1	
45	90467-08004	CLIP		2	2	
46	90467-12M11	CLIP		2	2	
47	6A0-82317-00	DAMPER, IGNITION COIL		4	4	
48	624-42542-00	PIPE		4	4	
49	90119-06M65	BOLT, WITH WASHER		2	2	
50	90119-06M88	BOLT, WITH WASHER		2	2	
51	90445-11M21	HOSE (L40)		1	1	
52	90467-10M04	CLIP		1	1	
53	6J8-21744-00	BREATHER		1	1	
54	90445-11M15	HOSE (L360)		1	1	



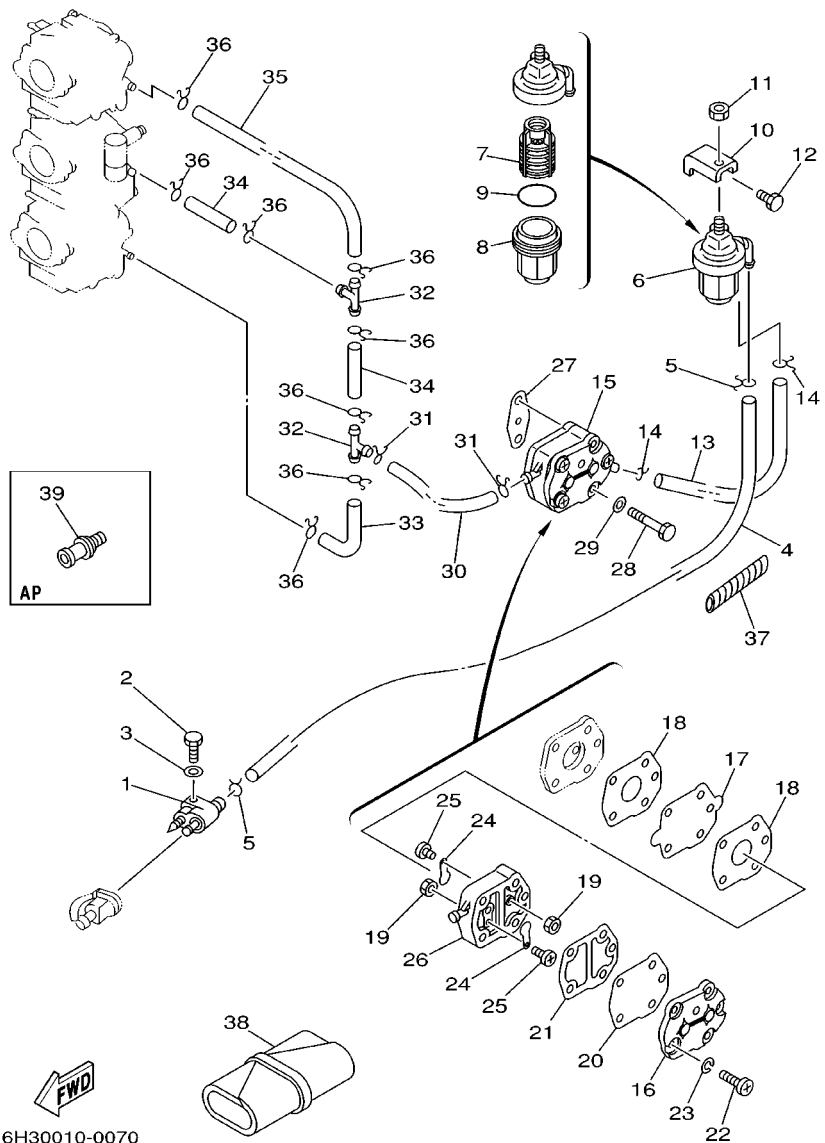
FIG. 8 OIL PUMP



6H30010-4060

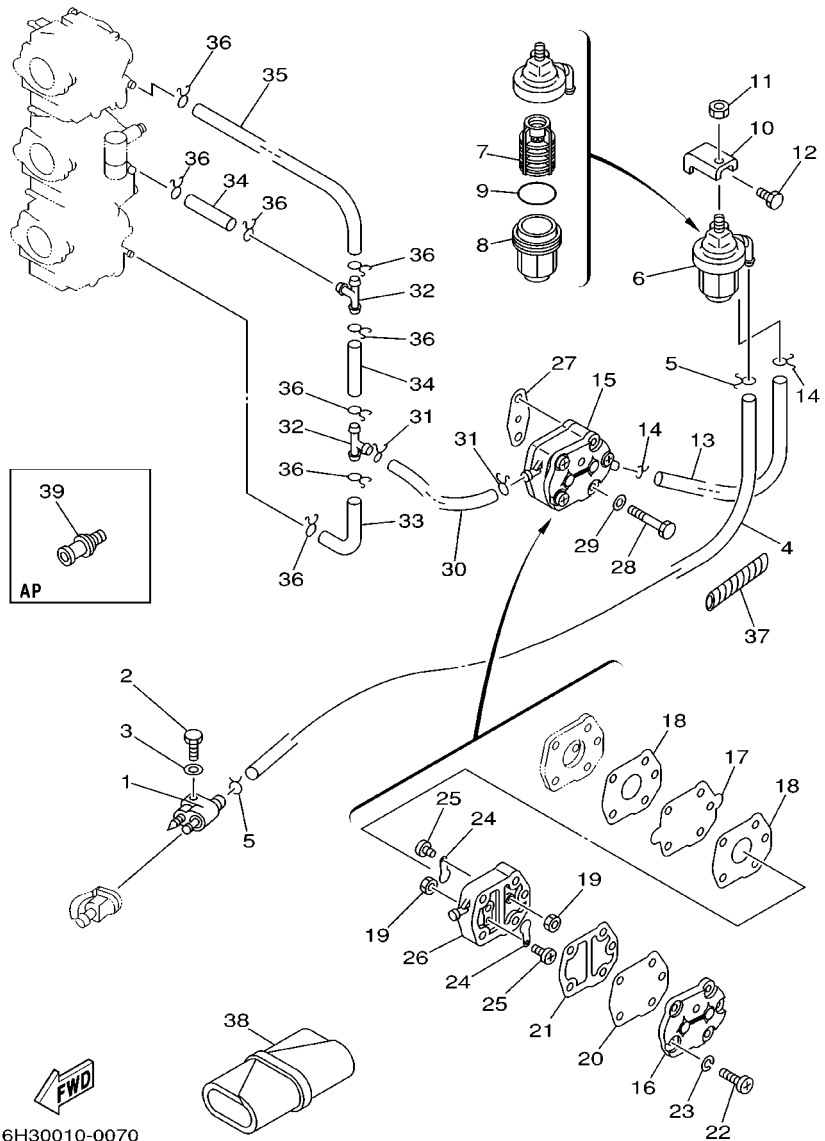
REF. NO.	PART NO.	DESCRIPTION	60ET	6ETO	7ETO	REMARKS
55	6E5-24378-00	PIPE, JOINT 4		1	1	
56	90446-10M01	HOSE		1	1	
57	90445-11M02	HOSE (L100)		1	1	
58	90464-11M23	CLAMP		1	1	
59	90467-11M08	CLIP		3	3	
60	6H3-85720-16	OIL LEVEL GAUGE ASSY		1	1	
61	6R5-82582-B0	COVER, WIRE HARNESS		1	1	AP

FIG. 9 FUEL



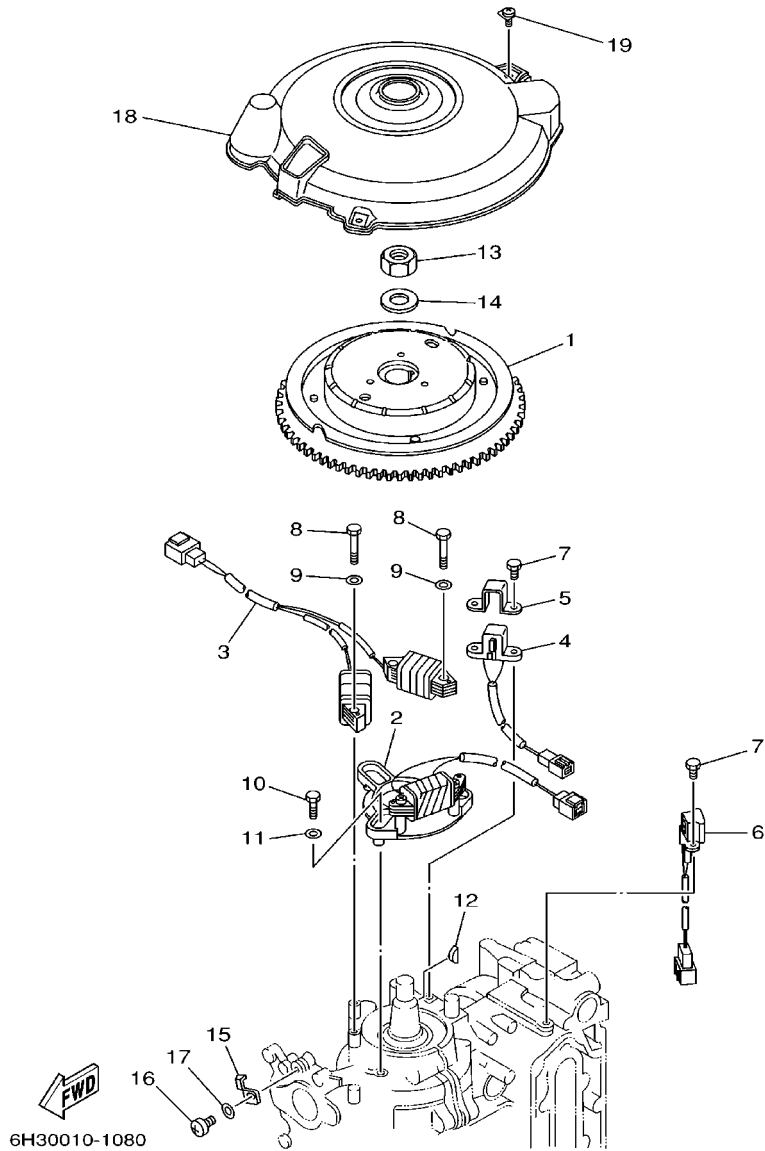
REF. NO.	PART NO.	DESCRIPTION	60ET	6ETO	7ETO	REMARKS
1	6G1-24304-02	FUEL PIPE JOINT COMP. 1	1	1	1	
2	97095-06025	BOLT	1	1	1	
3	92995-06600	WASHER	1	1	1	
4	90445-09M75	HOSE (L370)	1	1	1	
5	90467-08004	CLIP	2	2	2	
6	61N-24560-00	FILTER ASSY	1	1	1	
7	61N-24563-00	.ELEMENT, FILTER	1	1	1	
8	61N-24521-00	.CUP, FILTER	1	1	1	
9	93210-32738	.O-RING	1	1	1	
10	648-24566-02	BRACKET, FILTER	1	1	1	
11	95380-08600	NUT	1	1	1	
12	97013-06014	BOLT	1	1	1	
13	90445-09072	HOSE (L120)	1	1	1	
14	90467-08004	CLIP	2	2	2	
15	692-24410-00	FUEL PUMP ASSY	1	1	1	
16	6A0-24413-00	.BODY 2	1	1	1	
17	692-24411-00	.DIAPHRAGM	1	1	1	
18	648-24434-01	.GASKET, BODY	2	2	2	
19	95380-03600	.NUT	2	2	2	
20	663-24411-00	.DIAPHRAGM	1	1	1	
21	648-24435-02	.GASKET, BODY 2	1	1	1	
22	98503-05028	.SCREW, PAN HEAD	3	3	3	
23	92990-05100	.WASHER, SPRING	3	3	3	
24	6A0-24421-01	.VALVE, CHECK	2	2	2	
25	6A0-14325-00	.SCREW, PAN HEAD	2	2	2	
26	6A0-24412-02	.BODY 1	1	1	1	
27	650-24431-A0	GASKET, FUEL PUMP 1	1	1	1	

FIG. 9 FUEL



REF. NO.	PART NO.	DESCRIPTION	60ET	6ETO	7ETO	REMARKS
28	97095-06040	BOLT	2	2	2	
29	92995-06600	WASHER	2	2	2	
30	90445-09072	HOSE (L120)	1	1	1	
31	90467-08004	CLIP	2	2	2	
32	688-24378-00	PIPE, JOINT 4	2	2	2	
33	6H3-24313-00	PIPE 3	1	1	1	
34	90445-09220	HOSE	2	2	2	
35	6H3-24314-00	PIPE 4	1	1	1	
36	90467-08004	CLIP	8	8	8	
37	90446-10M01	HOSE		1	1	
38	656-W2810-02	TOOL KIT	1	1	1	
39	6E0-28193-00-94	PLUG, WATER CHECK	1	1	1	AP D:12.5MM

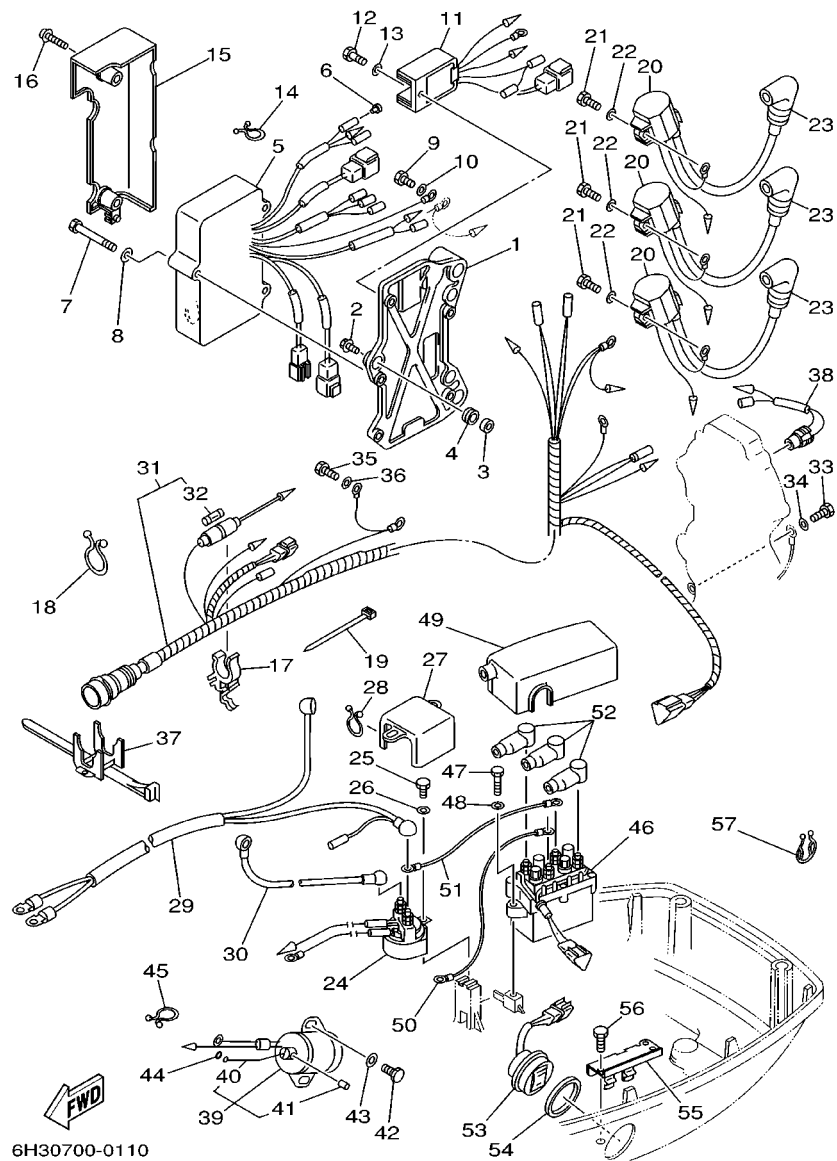
FIG. 10 GENERATOR



REF. NO.	PART NO.	DESCRIPTION	60ET	6ETO	7ETO	REMARKS
1	6H2-85550-00	ROTOR ASSY	1	1	1	
2	6H2-85520-01	COIL, CHARGE	1	1	1	
3	6H2-85533-01	COIL, LIGHTING	1	1	1	
4	6H2-85580-01	COIL, PULSER	1	1	1	
5	6H2-85582-00	ATTACHMENT, PULSER	1	1	1	
6	6H2-85895-01	CRANK POSITION SENDER	1	1	1	
7	97095-05012	BOLT	4	4	4	
8	97095-06035	BOLT	4	4	4	
9	92995-06600	WASHER	4	4	4	
10	97095-06025	BOLT	3	3	3	
11	92995-06600	WASHER	3	3	3	
12	90280-05015	KEY, WOODRUFF	1	1	1	
13	90170-20137	NUT	1	1	1	
14	90201-21M18	WASHER, PLATE	1	1	1	
15	6E5-81332-00	PLATE, TIMING	1	1	1	
16	97885-06010	SCREW, PAN HEAD	1	1	1	
17	92995-06600	WASHER	1	1	1	
18	6H3-81337-01	COVER, FLYWHEEL	1	1	1	
19	90159-06M23	SCREW, WITH WASHER	3	3	3	

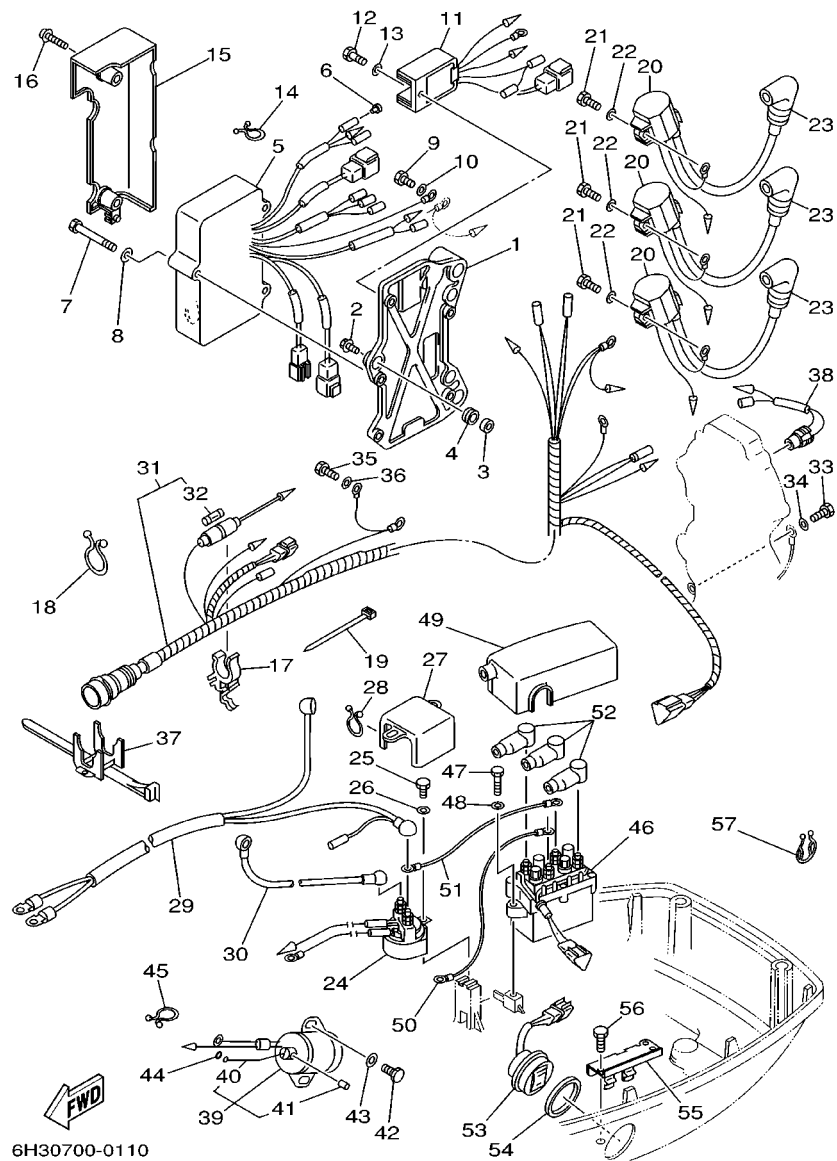
6H30010-1080

FIG. 11 ELECTRICAL



6H30700-0110

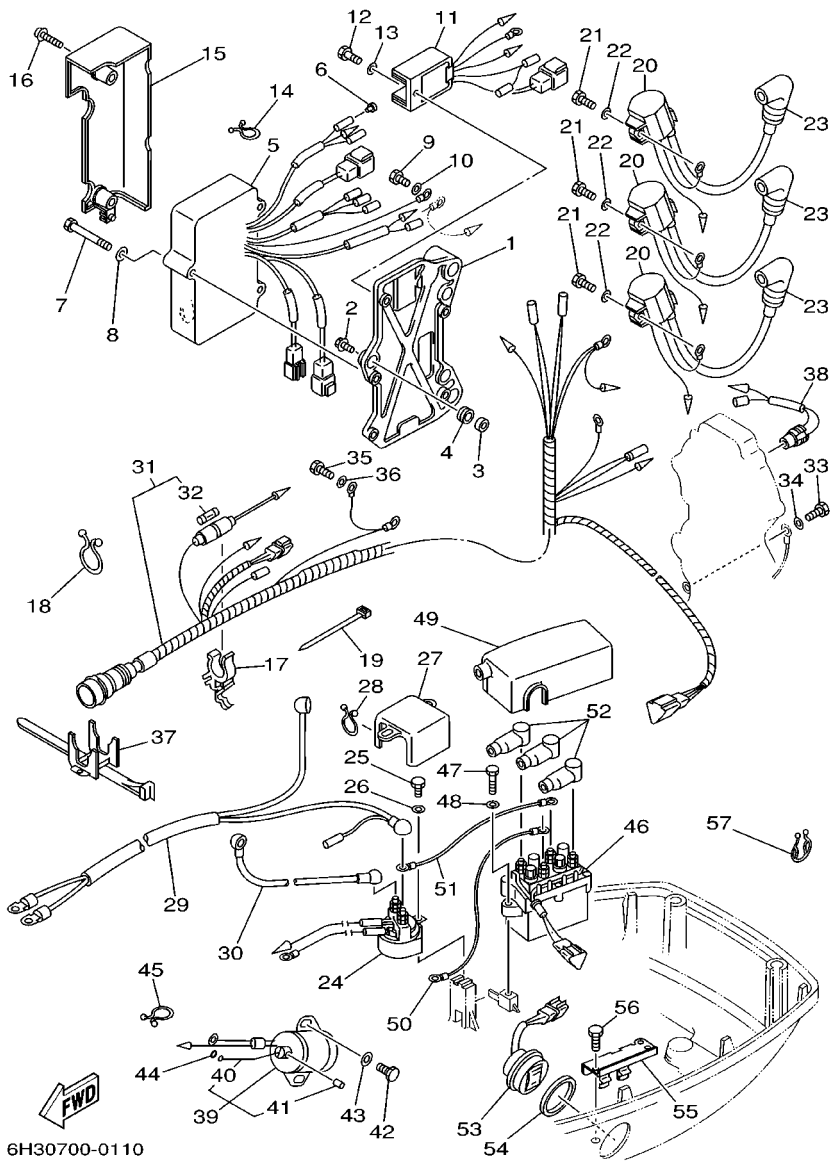
REF. NO.	PART NO.	DESCRIPTION	60ET	6ETO	7ETO	REMARKS
1	6H3-85542-11-94	BRACKET	1	1	1	
2	90105-06M14	BOLT FLANGE	3	3	3	
3	90387-06M43	COLLAR	3	3	3	
4	90480-13M54	GROMMET	3	3	3	
5	6H2-85540-10	C.D.I. UNIT ASSY	1	1	1	
6	703-82119-00	COVER, LEAD WIRE	1	1	1	
7	97095-06045	BOLT	3	3	3	
8	92995-06600	WASHER	3	3	3	
9	97013-06012	BOLT	1	1	1	
10	92903-06600	WASHER, PLATE	1	1	1	
11	6H2-81960-10	RECTIFIER & REGULATOR ASSY	1	1	1	
12	97095-06016	BOLT	1	1	1	
13	92995-06600	WASHER	1	1	1	
14	90464-05M16	CLAMP	1	1	1	
15	6H3-81916-10	COVER, TERMINAL	1	1	1	
16	90159-06M01	SCREW, WITH WASHER	2	2	2	
17	6G5-82152-00	HOLDER, FUSE	1	1	1	
18	90464-23M22	CLAMP	1	1	1	
19	90465-13M11	CLAMP	1	1	1	
20	697-85570-00	IGNITION COIL ASSY	3	3	3	
21	97013-06020	BOLT	3	3	3	
22	92903-06600	WASHER, PLATE	3	3	3	
23	6G1-82370-21	PLUG CAP ASSY	3	3	3	
24	688-81950-10	RELAY ASSY	1	1	1	
25	97013-06016	BOLT	1	1	1	
26	92903-06600	WASHER, PLATE	1	1	1	
27	6H3-82164-00	CASE 2	1	1	1	



6H30700-0110

FIG. 11 ELECTRICAL

REF. NO.	PART NO.	DESCRIPTION	60ET	6ETO	7ETO	REMARKS
28	90464-15M11	CLAMP	1	1	1	
29	6H3-82105-01	WIRE HARNESS	1	1	1	
30	6H3-82117-00	WIRE, LEAD	1	1	1	
31	6H2-82590-13	WIRE HARNESS ASSY		1	1	
	6H2-82590-60	WIRE HARNESS ASSY	1			
32	682-82151-00	.FUSE (20A)	1	1	1	
33	97013-06012	BOLT	1	1	1	
34	92903-06600	WASHER, PLATE	1	1	1	
35	97013-06012	BOLT	2	2	2	
36	92903-06600	WASHER, PLATE	2	2	2	
37	688-82594-00	CLAMP	1	1	1	
38	688-82560-10	THERMO SWITCH ASSY	1	1	1	
39	6H3-86110-02	SOLENOID	1			
40	6H3-86116-00	.WIRE, PULL	1			
41	91690-30010	.PIN, SPRING	1			
42	97013-06016	BOLT	2			
43	92903-06600	WASHER, PLATE	2			
44	93210-03261	O-RING	1			
45	90465-18147	CLAMP	1			
46	61A-81950-00	RELAY ASSY	1	1	1	
47	97095-06025	BOLT	2	2	2	
48	92995-06600	WASHER	2	2	2	
49	6H3-82154-11	CASE	1	1	1	
50	6H2-81949-11	WIRE, LEAD	1	1	1	
51	6H2-81949-01	WIRE, LEAD	1	1	1	
52	682-82119-01	COVER, LEAD WIRE	3	3	3	
53	6H1-82563-10	TRIM & TILT SWITCH ASSY		1	1	

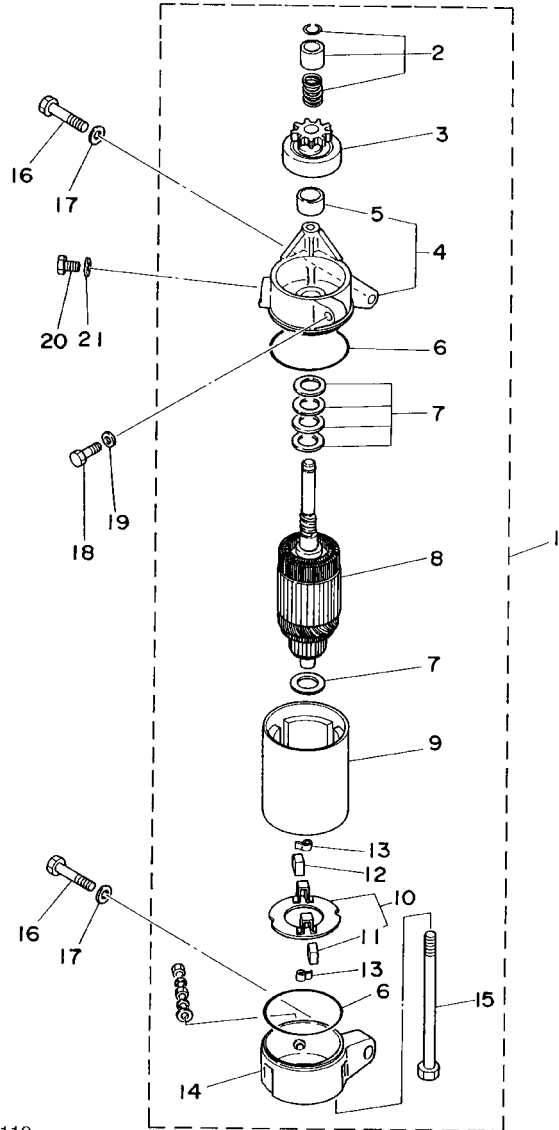


6H30700-0110

FIG. 11 ELECTRICAL

REF. NO.	PART NO.	DESCRIPTION	60ET	6ETO	7ETO	REMARKS
54	6E5-82587-00	GASKET		1	1	
55	6E5-83614-01	BRACKET		1	1	
56	97095-06016	BOLT		2	2	
57	90464-18M14	CLAMP		1	1	
-----						
-----						
-----						
-----						
-----						
-----						
-----						
-----						
-----						
-----						

FIG. 12 STARTING MOTOR

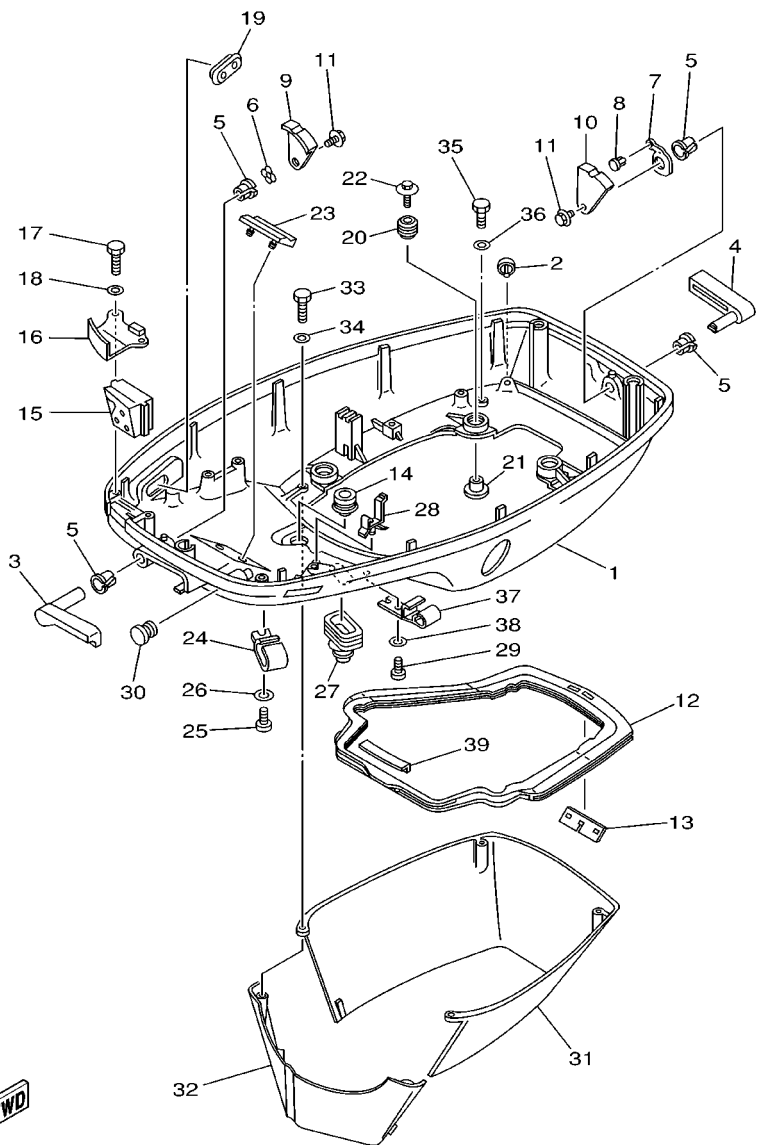


6H30010-4110

REF. NO.	PART NO.	DESCRIPTION	60ET	6ETO	7ETO	REMARKS
1	6H3-81800-11	STARTING MOTOR ASSY	1	1	1	
2	689-81857-11	.PINION STOPPER SET	1	1	1	
3	6H3-81807-10	.GEAR ASSY, STARTING MOTOR	1	1	1	
4	6H3-81830-10	.FRONT BRACKET ASSY	1	1	1	
5	689-81831-00	..METAL, FRONT	1	1	1	
6	689-81847-11	.O-RING	2	2	2	
7	689-81809-11	.WASHER KIT	1	1	1	
8	689-81850-12	.ARMATURE ASSY	1	1	1	
9	6H3-81810-10	.STATOR ASSY	1	1	1	
10	689-81840-11	.BRUSH HOLDER ASSY	1	1	1	
11	689-81812-11	..BRUSH 2	1	1	1	
12	689-81811-11	.BRUSH 1	1	1	1	
13	689-81813-10	.SPRING, BRUSH	2	2	2	
14	6H3-81820-11	.REAR BRACKET ASSY	1	1	1	
15	689-81826-10	.BOLT	2	2	2	
16	97013-08035	BOLT	2	2	2	
17	92903-08600	WASHER, PLATE	2	2	2	
18	97013-06025	BOLT	1	1	1	
19	92903-06600	WASHER, PLATE	1	1	1	
20	97013-08016	BOLT	1	1	1	
21	92903-08600	WASHER, PLATE	1	1	1	



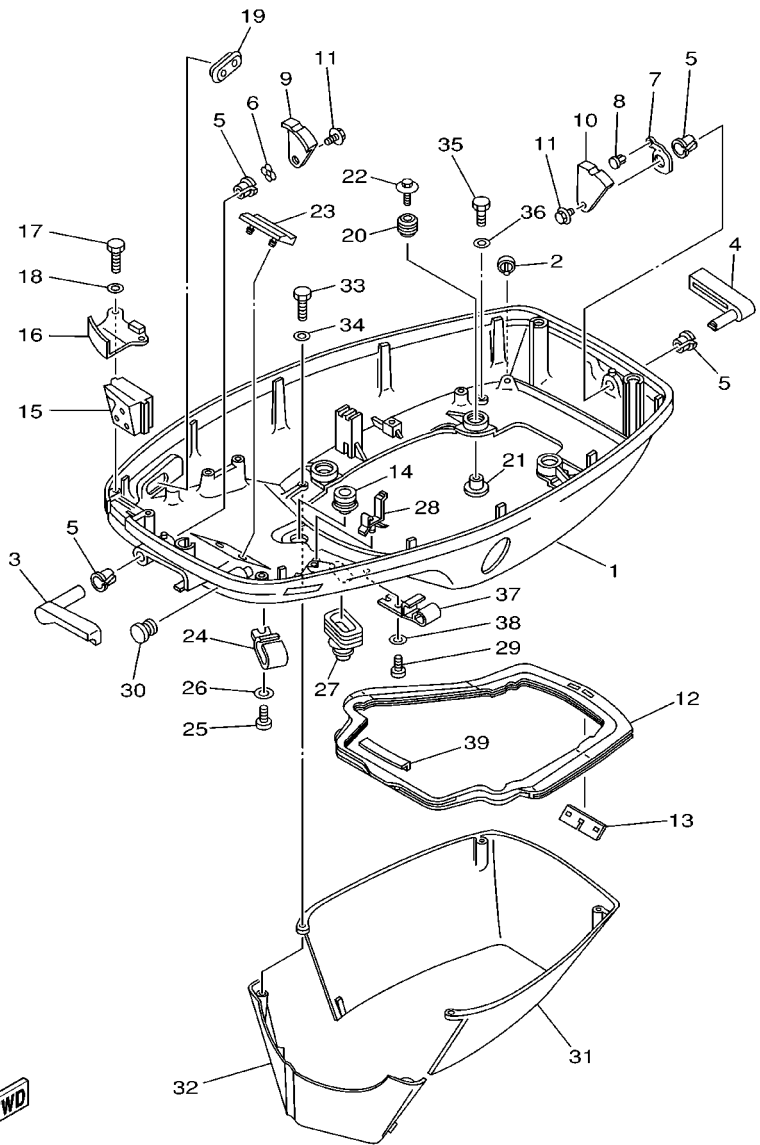
FIG. 13 BOTTOM COWLING



6H30100-0130

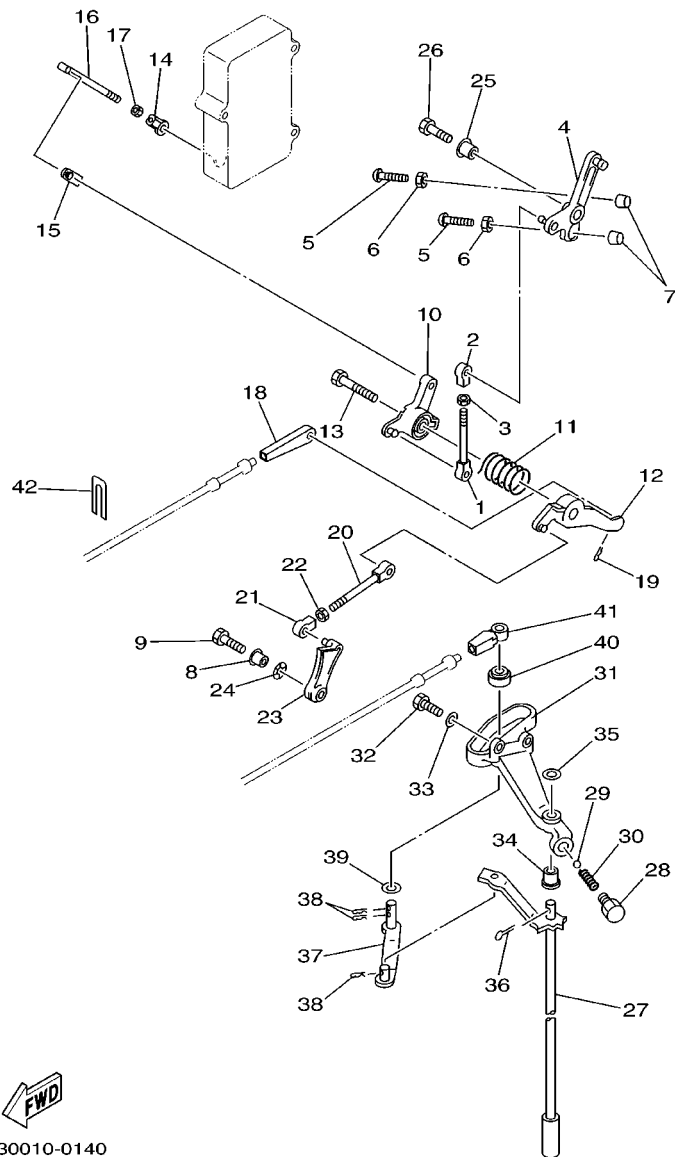
REF. NO.	PART NO.	DESCRIPTION	60ET	6ETO	7ETO	REMARKS
1	6H3-42711-24-4D	COWLING, BOTTOM		1	1	
	6H3-42711-05-4D	COWLING, BOTTOM	1			
2	6H3-44391-01	NIPPLE, HOSE	1	1	1	
3	6H3-42815-01-4D	LEVER, CLAMP	1	1	1	
4	6H3-42817-01-4D	LEVER, CLAMP	1	1	1	
5	90386-13M38	BUSH	4	4	4	
6	90206-13M10	WASHER, WAVE	1	1	1	
7	6H3-42813-00	SPRING, CLAMP LEVER	1	1	1	
8	90269-04M03	RIVET	1	1	1	
9	6H3-42816-00	LEVER, CLAMP	1	1	1	
10	6H3-42818-00	LEVER, CLAMP	1	1	1	
11	90119-06M09	BOLT, WITH WASHER	2	2	2	
12	6H3-42716-02	RUBBER, SEAL 1	1	1	1	
13	6K5-42717-00	RUBBER, SEAL 2	1	1	1	
14	6E5-42724-00	GROMMET	1	1	1	
15	6H3-42725-10	GROMMET	1	1	1	
16	6H3-42738-01-5B	PLATE, FITTING	1	1	1	
17	97095-06016	BOLT	2	2	2	
18	92995-06600	WASHER	2	2	2	
19	6H3-42727-00	GROMMET	1	1	1	
20	90480-09M12	GROMMET	4	4	4	
21	90387-06M69	COLLAR	4	4	4	
22	90119-06M61	BOLT, WITH WASHER	4	4	4	
23	6H3-42768-00	DAMPER	1	1	1	
24	6E5-24367-01	CLAMP, FUEL PIPE 2	1	1	1	
25	90157-06M01	SCREW, PAN HEAD	1	1	1	
26	92990-06600	WASHER, PLATE	1	1	1	

FIG. 13 BOTTOM COWLING



**FWD**  
6H30100-0130

REF. NO.	PART NO.	DESCRIPTION	60ET	6ETO	7ETO	REMARKS
27	688-42726-10	GROMMET	1	1	1	
28	90464-09M13	CLAMP	1	1	1	
29	90157-06M01	SCREW, PAN HEAD	1	1	1	
30	6G1-42748-00	GROMMET		1	1	
31	6H3-42741-01-4D	APRON	1	1	1	
32	6H3-42771-01-4D	APRON	1	1	1	
33	97095-06025	BOLT	2	2	2	
34	92995-06600	WASHER	2	2	2	
35	97095-06020	BOLT	2	2	2	
36	92995-06600	WASHER	2	2	2	
37	6E5-24367-01	CLAMP, FUEL PIPE 2	1	1	1	
38	92990-06600	WASHER, PLATE	1	1	1	
39	6H3-42718-00	RUBBER, SEAL 3	1	1	1	

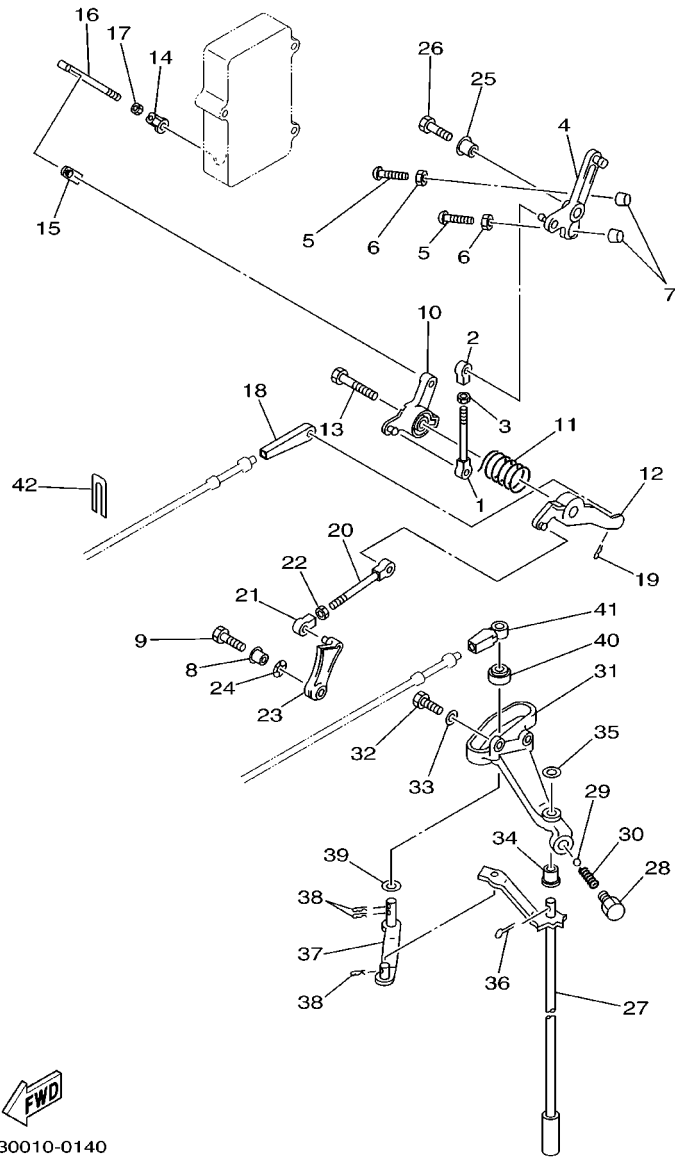


6H30010-0140

FIG. 14 CONTROL

REF. NO.	PART NO.	DESCRIPTION	60ET	6ETO	7ETO	REMARKS
1	689-42169-01	JOINT	1	1	1	
2	682-41237-00	JOINT, LINK	1	1	1	
3	95380-05600	NUT	1	1	1	
4	6H3-41631-00	LEVER, MAGNETO CONTROL	1	1	1	
5	90157-06M13	SCREW, PAN HEAD	2	2	2	
6	95380-06600	NUT, HEXAGON	2	2	2	
7	688-44194-00	CAP	2	2	2	
8	90387-06M60	COLLAR	1	1	1	
9	97095-06025	BOLT	1	1	1	
10	6H3-41632-20	LEVER, MAGNETO CONTROL	1	1	1	
11	90508-26M35	SPRING, TORSION	1	1	1	
12	6H3-41633-10	LEVER, MAGNETO CONTROL	1	1	1	
13	90109-06M43	BOLT	1	1	1	
14	6H1-41237-00	JOINT, LINK	1	1	1	
15	6F5-41237-00	JOINT, LINK	1	1	1	
16	6H3-41636-10-94	ROD, MAGNETO CONTROL	1	1	1	
17	95380-05600	NUT	1	1	1	
18	6H3-48344-00	CABLE END, REMOTE CONTROL	1	1	1	
19	90468-18008	CLIP	1	1	1	
20	689-42169-01	JOINT	1	1	1	
21	6H4-41237-00	JOINT, LINK	1	1	1	
22	95380-05600	NUT	1	1	1	
23	6H3-41213-10	CAM, ACCEL.	1	1	1	
24	90206-10M04	WASHER, WAVE	1	1	1	
25	90387-06M60	COLLAR	1	1	1	
26	97095-06025	BOLT	1	1	1	
27	6H3-44120-12	HANDLE GEAR SHIFT ASSY	1	1	1	L

D6

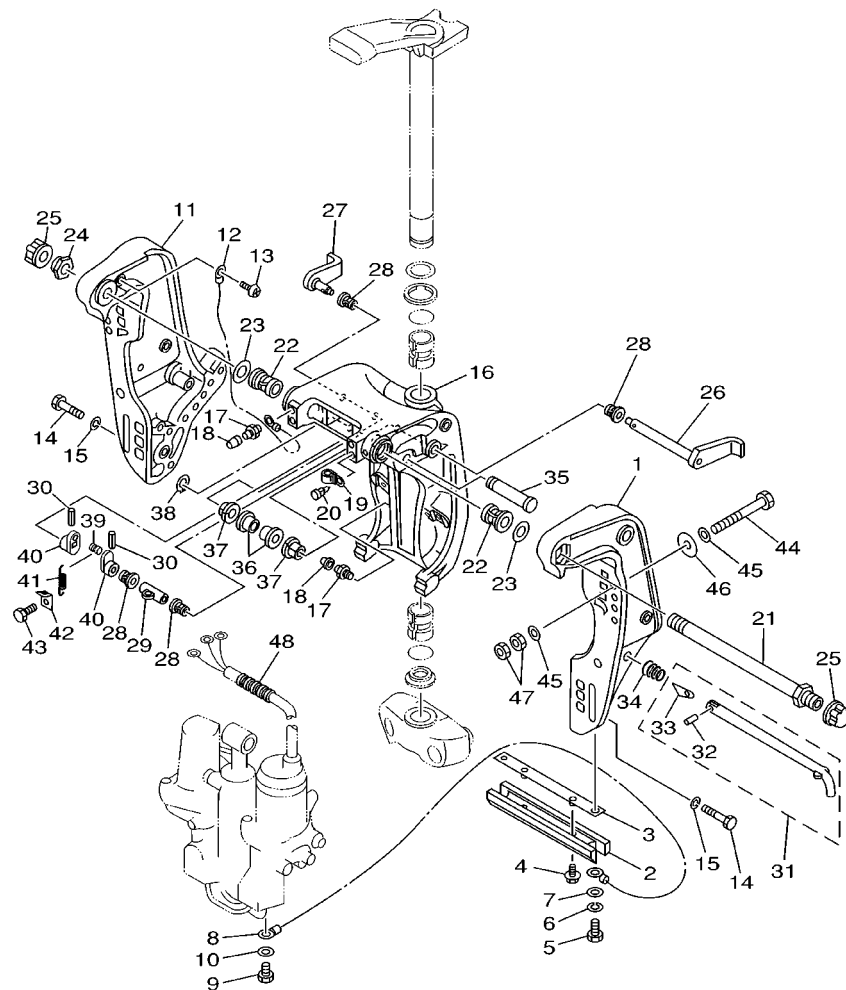


6H30010-0140

FIG. 14 CONTROL

REF. NO.	PART NO.	DESCRIPTION	60ET	6ETO	7ETO	REMARKS
27	6H3-44120-22	HANDLE GEAR SHIFT ASSY			1	X
28	648-42715-00	BUSHING	1	1	1	
29	93501-04M02	BALL	1	1	1	
30	90501-12082	SPRING, COMPRESSION	1	1	1	
31	6H3-44117-00-94	BRACKET		1	1	
	6J2-44117-01-94	BRACKET	1			
32	97013-06020	BOLT	2	2	2	
33	92903-06600	WASHER, PLATE	2	2	2	
34	90386-07M58	BUSH	1	1	1	
35	92990-08200	WASHER, PLAIN	1	1	1	
36	91490-20012	PIN, COTTER	1	1	1	
37	6H3-44121-01	LEVER, SHIFT ROD	1	1	1	
38	90468-18008	CLIP	3	3	3	
39	90202-07M07	WASHER, PLATE	1	1	1	
40	688-44122-00	BUSHING, SHIFT ROD LEVER	1	1	1	
41	663-48344-00	CABLE END, REMOTE CONTROL	1	1	1	
42	6H3-48538-00	CLAMP, CABLE 1	1	1	1	

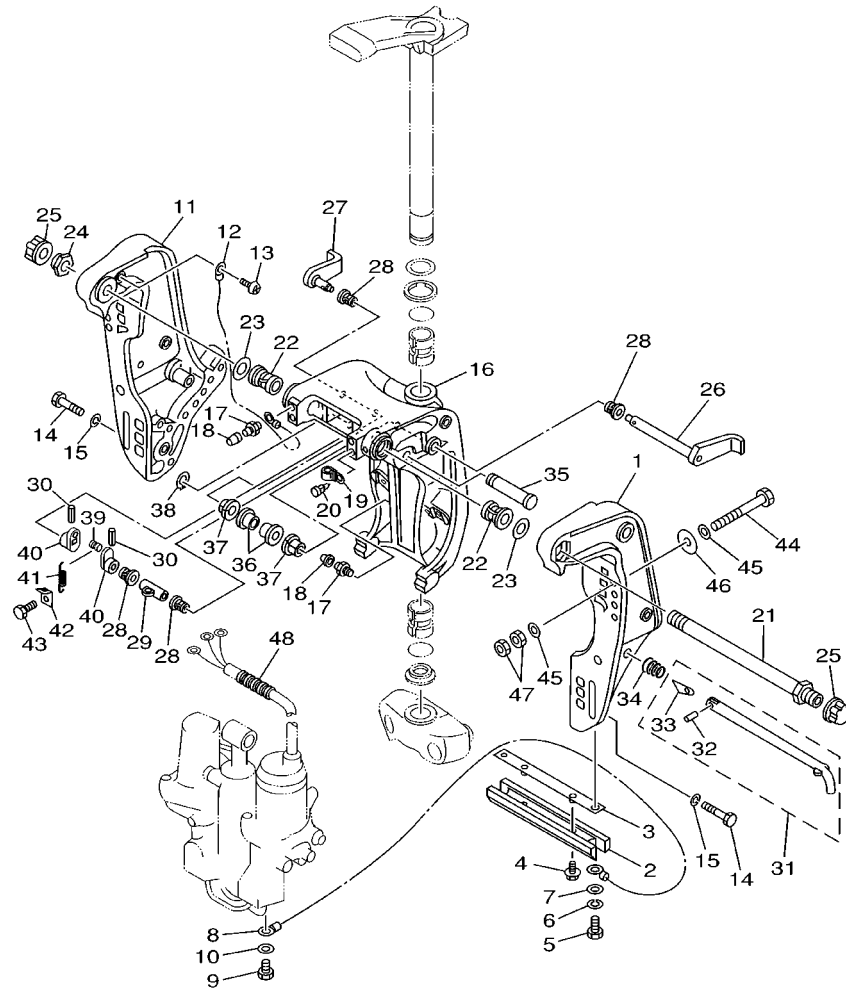
FIG. 15 BRACKET 1



6H30010-9150

REF. NO.	PART NO.	DESCRIPTION	60ET	6ETO	7ETO	REMARKS
1	6H1-43111-01-4D	BRACKET, CLAMP	1	1	1	
2	6H1-45251-03	ANODE	1	1	1	
3	6H1-44526-00	PLATE	1	1	1	
4	90119-06M29	BOLT, WITH WASHER	2	2	2	
5	97095-06016	BOLT	2	2	2	
6	92995-06100	WASHER, SPRING	2	2	2	
7	92995-06600	WASHER	2	2	2	
8	6H1-82148-00	WIRE, LEAD 4	1	1	1	
9	97095-06010	BOLT	1	1	1	
10	92995-06600	WASHER	1	1	1	
11	6H1-43112-00-4D	BRACKET, CLAMP	1	1	1	
12	6E5-82148-00	WIRE, LEAD 4	1	1	1	
13	97880-06012	SCREW, PAN HEAD	1	1	1	
14	97095-10045	BOLT	6	6	6	
15	92995-10100	WASHER	6	6	6	
16	6H1-43311-01-4D	BRACKET, SWIVEL 1	1	1	1	
17	93700-06M03	NIPPLE, GREASE	3	3	3	
18	663-45119-00	CAP, GREASE NIPPLE	3	3	3	AP
19	90464-11M18	CLAMP	1	1	1	
20	90338-05M03	PLUG	1	1	1	
21	688-43131-03	BOLT, CLAMP BRACKET	1	1	1	
22	90386-22M15	BUSH	2	2	2	
23	90201-22M67	WASHER, PLATE	2	2	2	
24	90185-22043	NUT, SELF-LOCKING	1	1	1	
25	6G5-43145-00	CAP, CLAMP BRACKET	2	2	2	
26	6H1-43181-01	LEVER, TILT STOP	1	1	1	
27	6H1-43185-01	LEVER, TILT STOP	1	1	1	

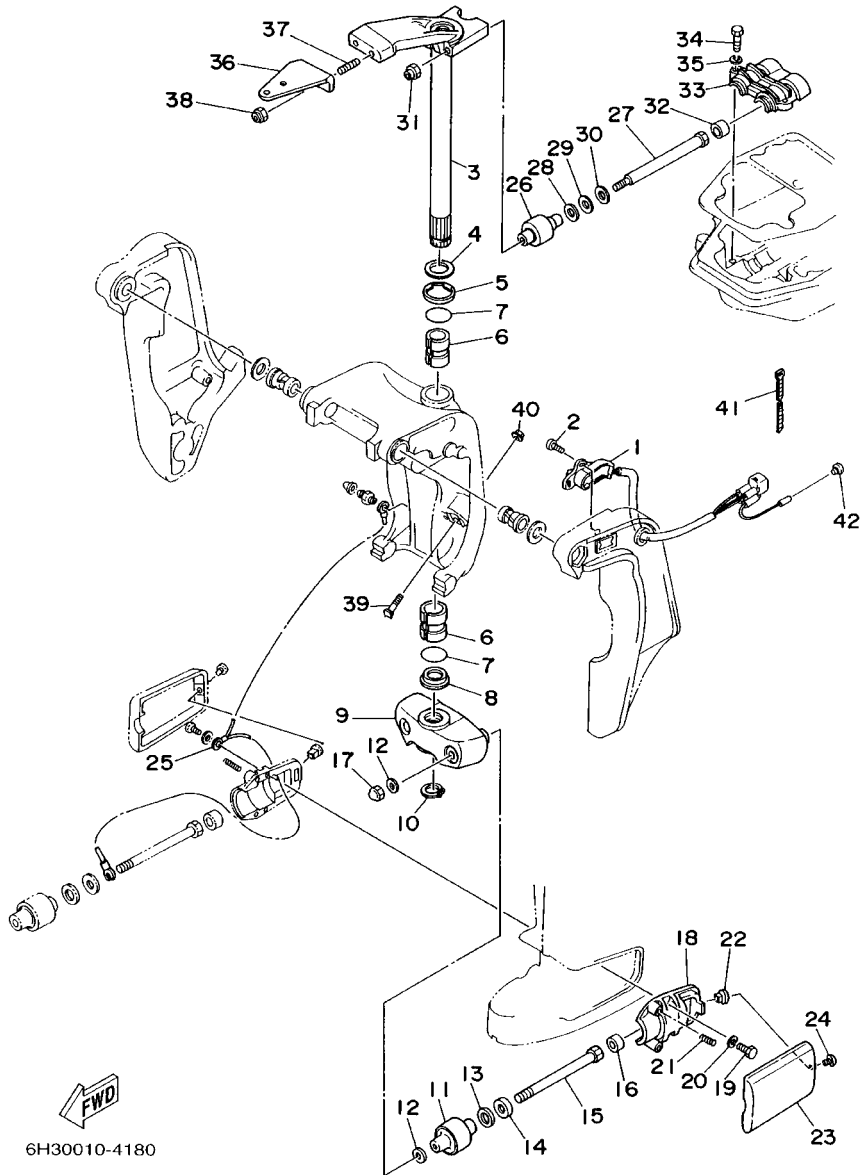
FIG. 15 BRACKET 1



6H30010-9150

REF. NO.	PART NO.	DESCRIPTION	60ET	6ETO	7ETO	REMARKS
28	90386-10M16	BUSH	4	4	4	
29	90387-10M02	COLLAR	1	1	1	
30	91690-30020	PIN, SPRING	2	2	2	
31	688-43160-01	TILT ROD ASSY	1	1	1	
32	91690-30012	.PIN, SPRING	1	1	1	
33	688-43165-00	.PLATE, TILT LOCK	1	1	1	
34	90502-16M02	SPRING, CONICAL	1	1	1	
35	6E5-43126-02	PIN, UPPER SHOCK MOUNT	1	1	1	
36	90386-18M63	BUSH	2	2	2	
37	90386-18M35	BUSH	2	2	2	
38	93410-18M02	CIRCLIP	1	1	1	
39	90249-06M19	PIN	1	1	1	
40	6G5-43148-00	COLLAR, DISTANCE	2	2	2	
41	90506-14M24	SPRING, TENSION	1	1	1	
42	6G5-43144-00	HOOK, SPRING	1	1	1	
43	97095-06010	BOLT	1	1	1	
44	90101-12M65	BOLT	4	4	4	
45	92995-12200	WASHER	8	8	8	
46	90201-12426	WASHER, PLATE	4	4	4	
47	95380-12600	NUT	8	8	8	
48	90440-14M00	PIPE	1	1	1	

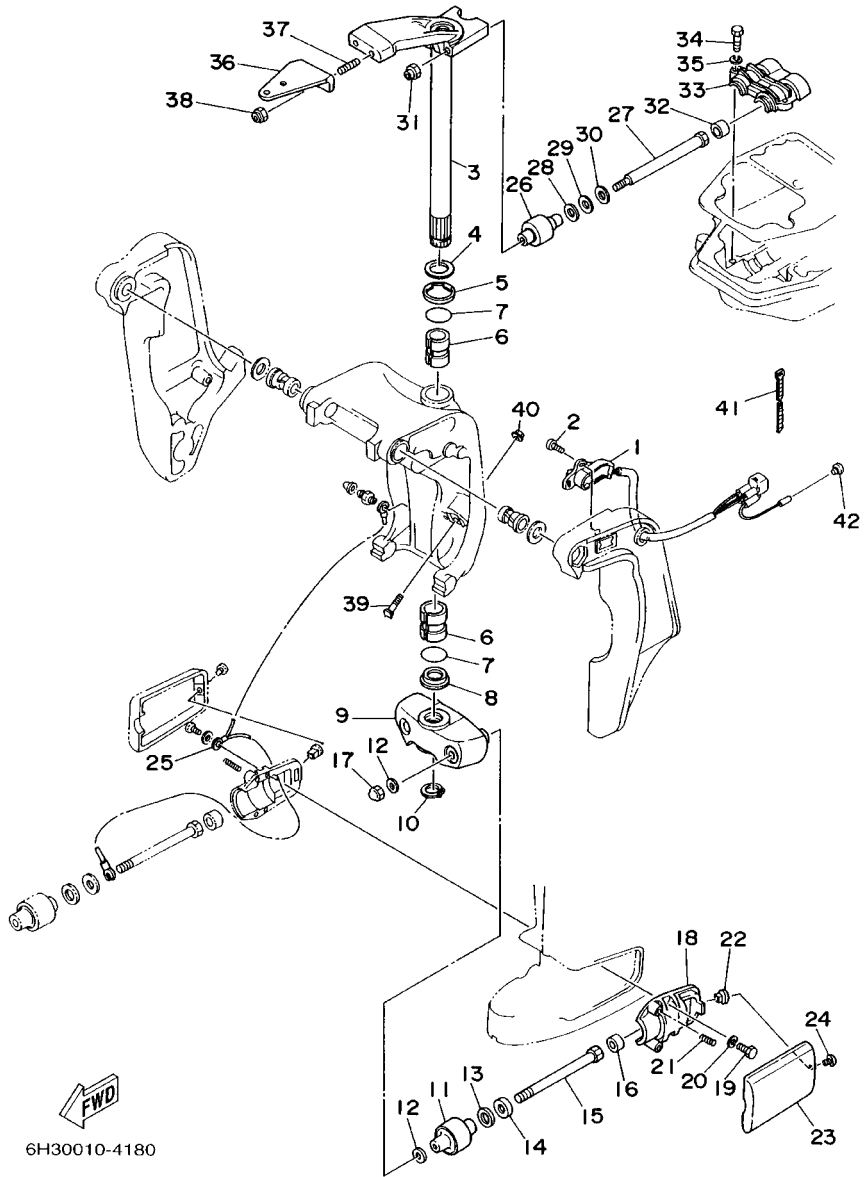
FIG. 16 BRACKET 2



6H30010-4180

REF. NO.	PART NO.	DESCRIPTION	60ET	6ETO	7ETO	REMARKS
1	6H1-83672-12	TRIM SENDER	1	1	1	
2	97885-06016	SCREW, PAN HEAD	2	2	2	
3	6H3-42510-12-4D	STEERING BRACKET ASSY	1	1	1	
4	90201-30M00	WASHER, PLATE	1	1	1	
5	90386-30M78	BUSH	1	1	1	
6	90386-30M77	BUSH	2	2	2	
7	93210-29M94	O-RING	2	2	2	
8	90386-30M60	BUSH	1	1	1	
9	6H3-44551-01-4D	HOUSING, LOWER MOUNT RUBBER	1	1	1	
10	93410-28M06	CIRCLIP	1	1	1	
11	687-44555-00-94	MOUNT DAMPER, LOWER SIDE	2	2	2	L
	688-44555-00-94	MOUNT DAMPER, LOWER SIDE			2	X
12	90201-12M16	WASHER, PLATE	4	4	4	
13	90202-25M04	WASHER, PLATE	2	2	2	
14	90201-13M19	WASHER, PLATE	2	2	2	
15	90109-12M21	BOLT	2	2	2	
16	663-44575-00	DAMPER, LOWER MOUNT RUBBER	2	2	2	
17	95380-12800	NUT, CROWN	2	2	2	
18	6H3-44552-03-94	HOUSING, LOWER MOUNT RUBBER	2	2	2	
19	97075-08025	BOLT	4	4	4	
20	92995-08100	WASHER	4	4	4	
21	90501-14M08	SPRING, COMPRESSION	4	4	4	
22	90179-06066	NUT	2	2	2	
23	6H3-44553-01-4D	COVER, LOWER MOUNT	2	2	2	
24	97885-06016	SCREW, PAN HEAD	2	2	2	
25	688-82127-02	WIRE, LEAD 2	1	1	1	
26	688-44514-00-94	MOUNT DAMPER, UPPER SIDE	2	2	2	

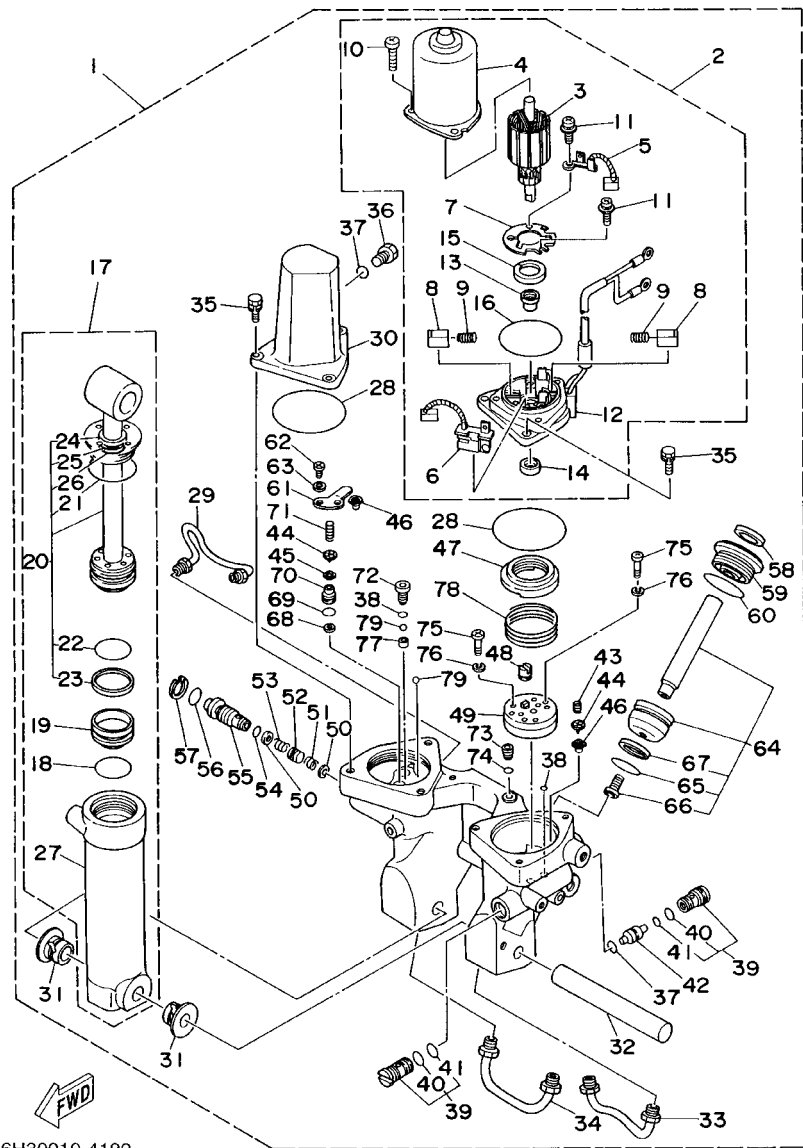
FIG. 16 BRACKET 2



REF. NO.	PART NO.	DESCRIPTION	60ET	6ETO	7ETO	REMARKS
27	90101-10M49	BOLT	2	2	2	
28	90201-20M21	WASHER, PLATE	2	2	2	
29	90202-20M06	WASHER, PLATE	2	2	2	
30	90201-11M22	WASHER, PLATE	2	2	2	
31	90185-10051	NUT, SELF-LOCKING	2	2	2	
32	663-44575-00	DAMPER, LOWER MOUNT RUBBER	2	2	2	
33	688-44511-00-94	COVER, UPPER MOUNT	1	1	1	
34	97075-08035	BOLT	3	3	3	
35	92995-08100	WASHER	3	3	3	
36	6H3-48511-51-4D	HOOK, STEERING	1	1	1	
37	90116-10175	BOLT, STUD	2	2	2	
38	90185-10051	NUT, SELF-LOCKING	2	2	2	
39	6H1-43376-00	BOLT, THRUST RECEIVER	2	2	2	
40	90185-08057	NUT, SELF-LOCKING	2	2	2	
41	90465-11M10	CLAMP	3	3	3	
42	703-82119-00	COVER, LEAD WIRE	1	1	1	



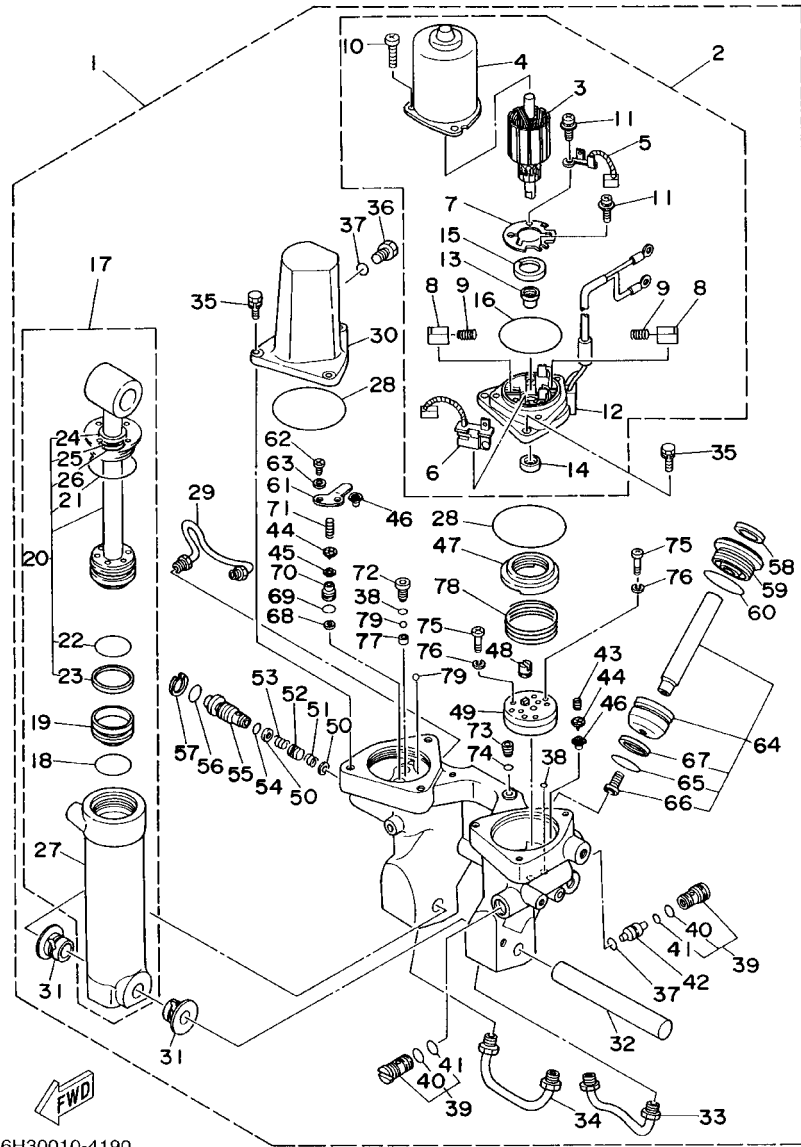
FIG. 17 POWER TRIM & TILT ASSY



6H30010-4190

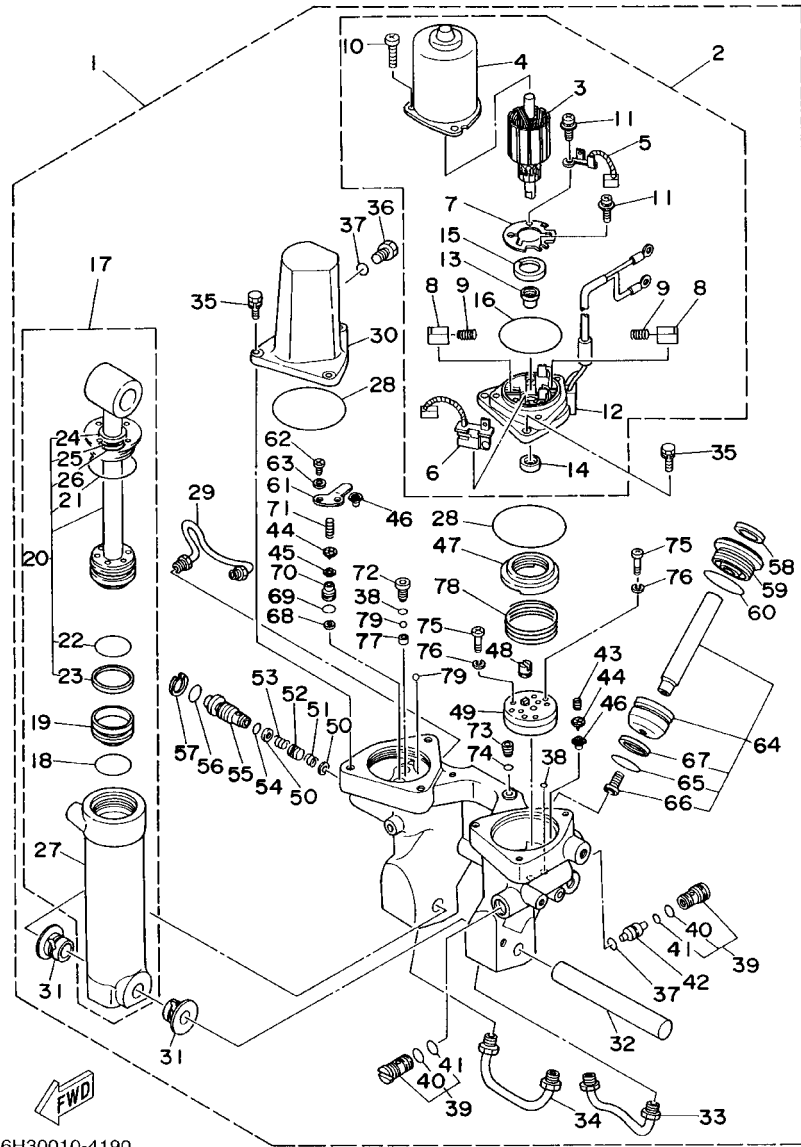
REF. NO.	PART NO.	DESCRIPTION	60ET	6ETO	7ETO	REMARKS
1	6H1-43800-15-4D	POWER TRIM & TILT ASSY	1	1	1	
2	6H1-43880-02	..MOTOR ASSY	1	1	1	
3	6H1-43805-10	..ARMATURE ASSY	1	1	1	
4	6H1-43804-10	..STATOR ASSY	1	1	1	
5	6H1-43891-10	..BRUSH 1	1	1	1	
6	6H1-43892-10	..BRUSH 2	1	1	1	
7	6H1-4380F-10	..PLATE, BRUSH HOLDER	1	1	1	
8	6H1-4380J-10	..HOLDER, BRUSH	2	2	2	
9	6H1-4386K-10	..SPRING, BRUSH	2	2	2	
10	97885-05016	..SCREW, PAN HEAD	3	3	3	
11	97607-04310	..SCREW, PAN HEAD WITH WASHER	2	2	2	
12	6H1-43881-10	..FRAME, END	1	1	1	
13	6H1-4380H-10	..METAL	1	1	1	
14	93102-08M43	..OIL SEAL	1	1	1	
15	6H1-4380G-10	..PLATE	1	1	1	
16	6H1-43865-10	..O-RING	1	1	1	
17	6H1-43840-11	..POWER TILT ASSY	1	1	1	
18	6H1-43861-10	..O-RING	1	1	1	
19	6H1-43814-11	..PISTON, FREE	1	1	1	
20	6H1-43810-11	..PISTON SUB ASSY	1	1	1	
21	6H1-43861-00	..O-RING	1	1	1	
22	6H1-43861-10	..O-RING	1	1	1	
23	6H1-43871-10	..RING, BACK UP	1	1	1	
24	6H1-43812-00	..SEAL, DUST	1	1	1	
25	6H1-43872-10	..RING, BACK UP	1	1	1	
26	93210-18397	..O-RING	1	1	1	
27	6H1-43813-10	..CYLINDER, TILT	1	1	1	

FIG. 17 POWER TRIM & TILT ASSY



6H30010-4190

REF. NO.	PART NO.	DESCRIPTION	60ET	6ETO	7ETO	REMARKS
28	93210-64488	.O-RING	2	2	2	
29	6H1-43835-10	.PIPE	1	1	1	
30	6H1-43828-10	.BODY, RESERVOIR	1	1	1	
31	90386-18M14	.BUSH	2	2	2	
32	6E5-43818-00	.PIN, LOWER SHOCK MOUNT	1	1	1	
33	6H1-43833-10	.PIPE	1	1	1	
34	6H1-43834-00	.PIPE	1	1	1	
35	97595-06420	.BOLT, WITH WASHER	6	6	6	
36	6H1-43829-00	.PLUG, RESERVOIR	1	1	1	
37	93210-09165	.O-RING	2	2	2	
38	93210-064A5	.O-RING	3	3	3	
39	6T4-43802-03	.VALVE SUB ASSY	2	2	2	
40	6H1-43866-00	.O-RING	1	1	1	
41	6H1-43867-00	.O-RING	1	1	1	
42	6H1-43841-11	.PISTON, SHUTTLE	1	1	1	
43	6H1-43856-10	.SPRING, DOWN RELIEF	1	1	1	
44	6H1-43844-10	.PIN, VALVE SUPPORT	2	2	2	
45	6H1-4384G-11	.SEAL, RELIEF VALVE	1	1	1	
46	6H1-4384F-10	.SEAL, MAIN VALVE	2	2	2	
47	6H1-43817-01	.FILTER 2	1	1	1	
48	6H1-43831-10	.CONNECTOR, SHAFT	1	1	1	
49	6H1-43830-11	.GEAR PUMP ASSY	1	1	1	
50	6H1-43847-00	.SEAT, MANUAL VALVE	2	2	2	
51	6H1-43899-00	.SPRING, MANUAL RELEASE	1	1	1	
52	6H1-4382A-10	.ADAPTOR 1	1	1	1	
53	6H1-43854-00	.SPRING, MANUAL RELEASE	1	1	1	
54	93210-10M74	.O-RING	1	1	1	

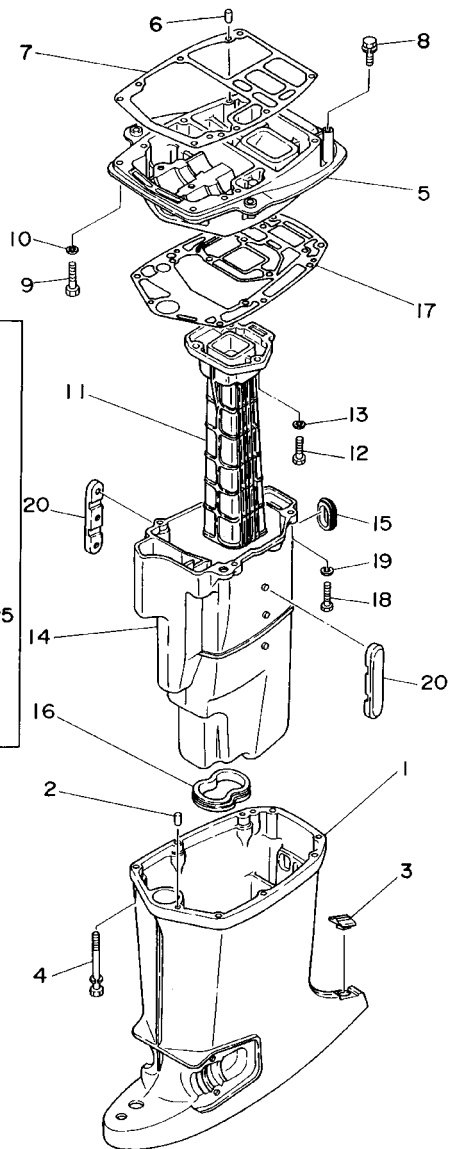
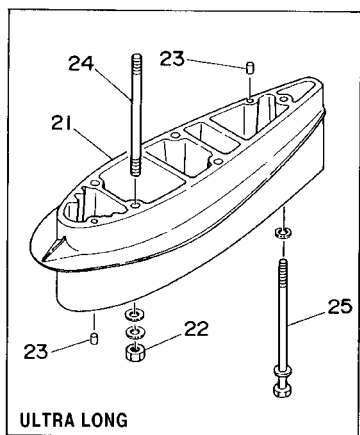


6H30010-4190

FIG. 17 POWER TRIM & TILT ASSY

REF. NO.	PART NO.	DESCRIPTION	60ET	6ETO	7ETO	REMARKS
55	6H1-43845-00	.SCREW, MANUAL RELEASE	1	1	1	
56	93210-18M75	.O-RING	1	1	1	
57	6H1-43875-00	.RING, SNAP	1	1	1	
58	6H1-43822-10	.SEAL, TRIM DUST	2	2	2	
59	6H1-43821-11	.SCREW, TRIM CYLINDER END	2	2	2	
60	6H1-43861-10	.O-RING	2	2	2	
61	6H1-4384E-20	.SPRING, TRIM	1	1	1	
62	98501-05010	.SCREW, PAN HEAD	2	2	2	
63	92901-05200	.WASHER, PLAIN	2	2	2	
64	6H1-43820-11	.PISTON SUB ASSY	2	2	2	
65	6H1-43864-00	.O-RING	1	1	1	
66	91318-08016	.BOLT	1	1	1	
67	6H1-43874-00	.RING, BACK UP	1	1	1	
68	6H1-43816-00	.FILTER 1	1	1	1	
69	6H1-43896-00	.O-RING	1	1	1	
70	6H1-43895-11	.SEAT, RELIEF VALVE	1	1	1	
71	6H1-43855-11	.SPRING, UP RELIEF	1	1	1	
72	6H1-43843-11	.SCREW, VALVE LOCK	1	1	1	
73	6H1-4388E-11	.PLUG, TAPER SCREW	1	1	1	
74	6H1-43868-00	.O-RING	1	1	1	
75	98501-04025	.SCREW, PAN HEAD	4	4	4	
76	92901-04100	.WASHER, SPRING	4	4	4	
77	6H1-4387J-00	.WASHER, SPECIAL 2	1	1	1	
78	6H1-4385H-00	.SPRING, SEAL	1	1	1	
79	93505-32038	.BALL	2	2	2	

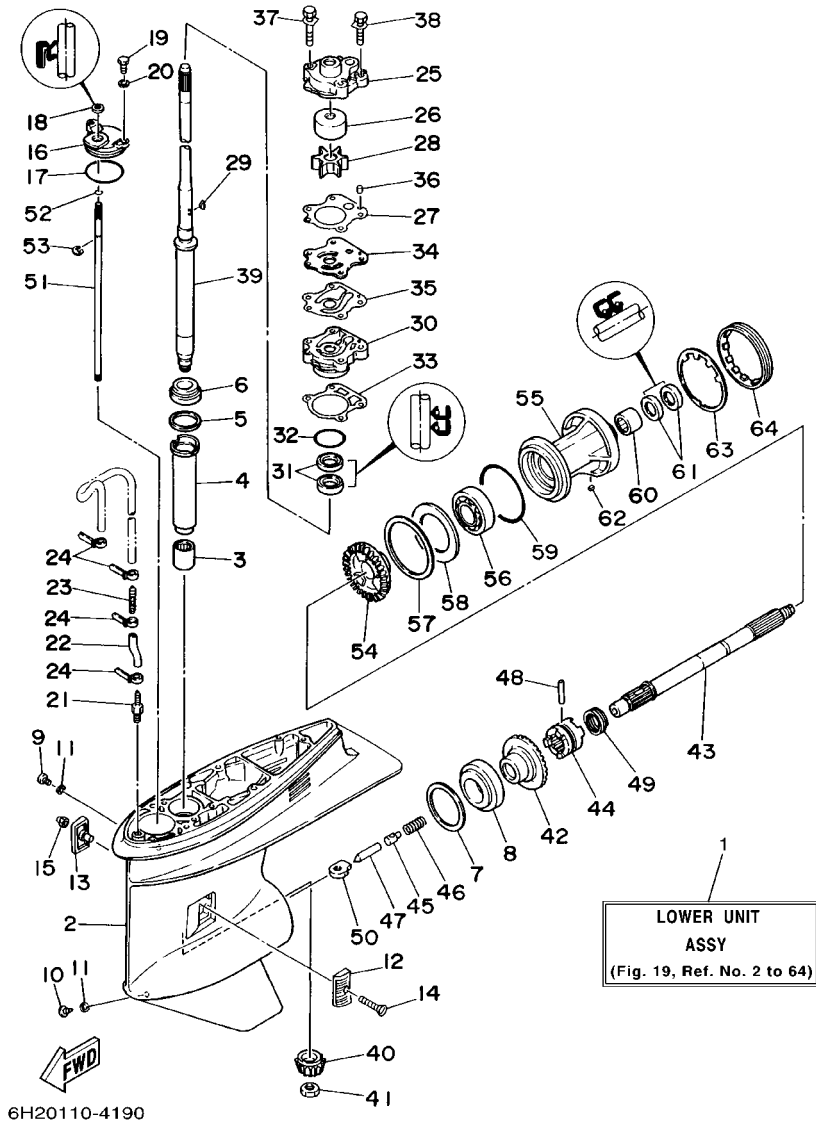
FIG. 18 UPPER CASING



**FWD**  
6H30010-4200

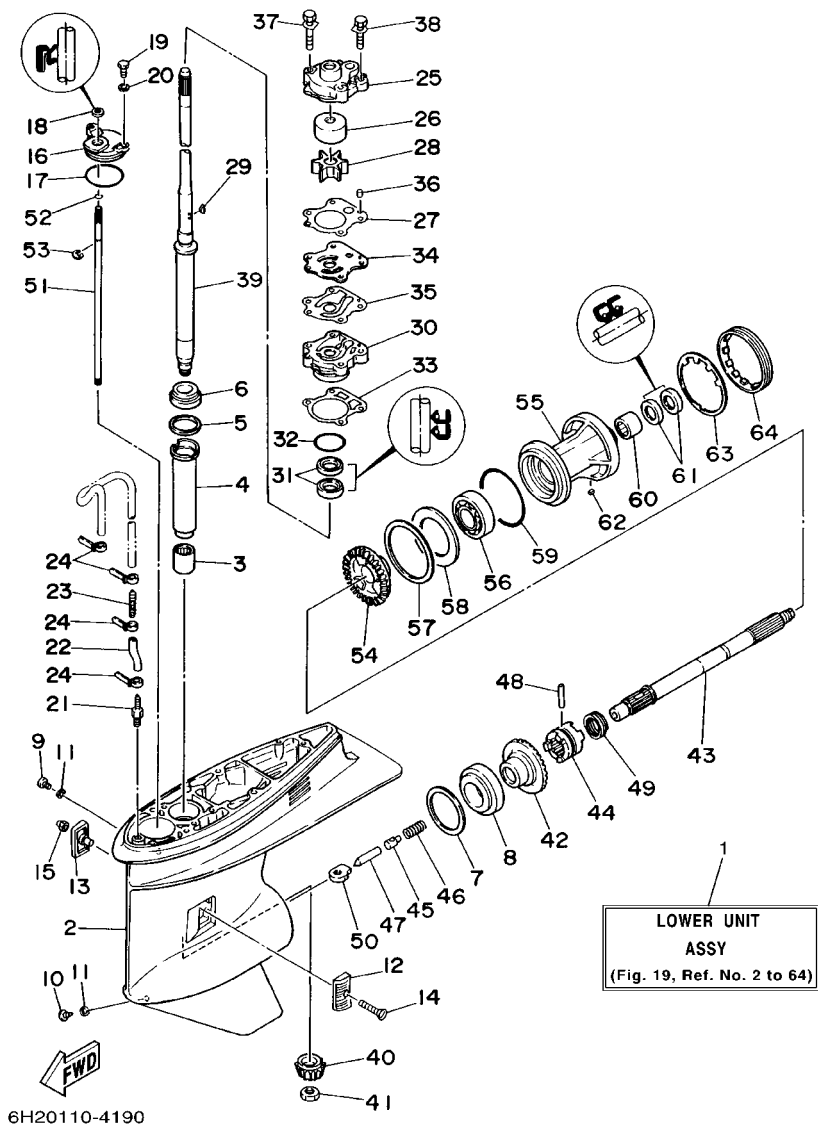
REF. NO.	PART NO.	DESCRIPTION	60ET	6ETO	7ETO	REMARKS
1	6H3-45111-11-4D	CASING, UPPER	1	1	1	
2	93606-12019	PIN, DOWEL	2	2	2	
3	6H3-45155-00	CAP	1	1	1	
4	90119-08M81	BOLT, WITH WASHER	6	6	6	
5	6H3-41137-01-94	GUIDE, EXHAUST	1	1	1	
6	93606-12019	PIN, DOWEL	2	2	2	
7	6H3-45113-A0	GASKET, UPPER CASING	1	1	1	
8	90119-08M79	BOLT, WITH WASHER	2	2	2	
9	97075-08035	BOLT	2	2	2	
10	92995-08100	WASHER	2	2	2	
11	6H3-41131-00-5B	MANIFOLD, EXT. 1			1	
	6H2-41131-00-5B	MANIFOLD, EXT. 1	1	1		
12	97075-08030	BOLT	3	3	3	
13	92995-08100	WASHER	3	3	3	
14	6H3-14711-10-5B	MUFFLER 1	1	1	1	
15	6H3-45127-00	SEAL	1	1	1	
16	6H3-45123-00	GASKET, MUFFLER	1	1	1	
17	6H3-45114-A1	GASKET, UPPER CASING	1	1	1	
18	97075-08030	BOLT	4	4	4	
19	92995-08100	WASHER	4	4	4	
20	6H3-14737-10	DAMPER, MUFFLER	2	2	2	
21	688-45211-01-4D	EXTENSION			1	X
22	95380-10600	NUT			4	X
23	93606-12019	PIN, DOWEL			2	X
24	90116-10M05	BOLT, STUD			4	X
25	90119-08M86	BOLT, WITH WASHER			1	X

FIG. 19 LOWER CASING. DRIVE 1



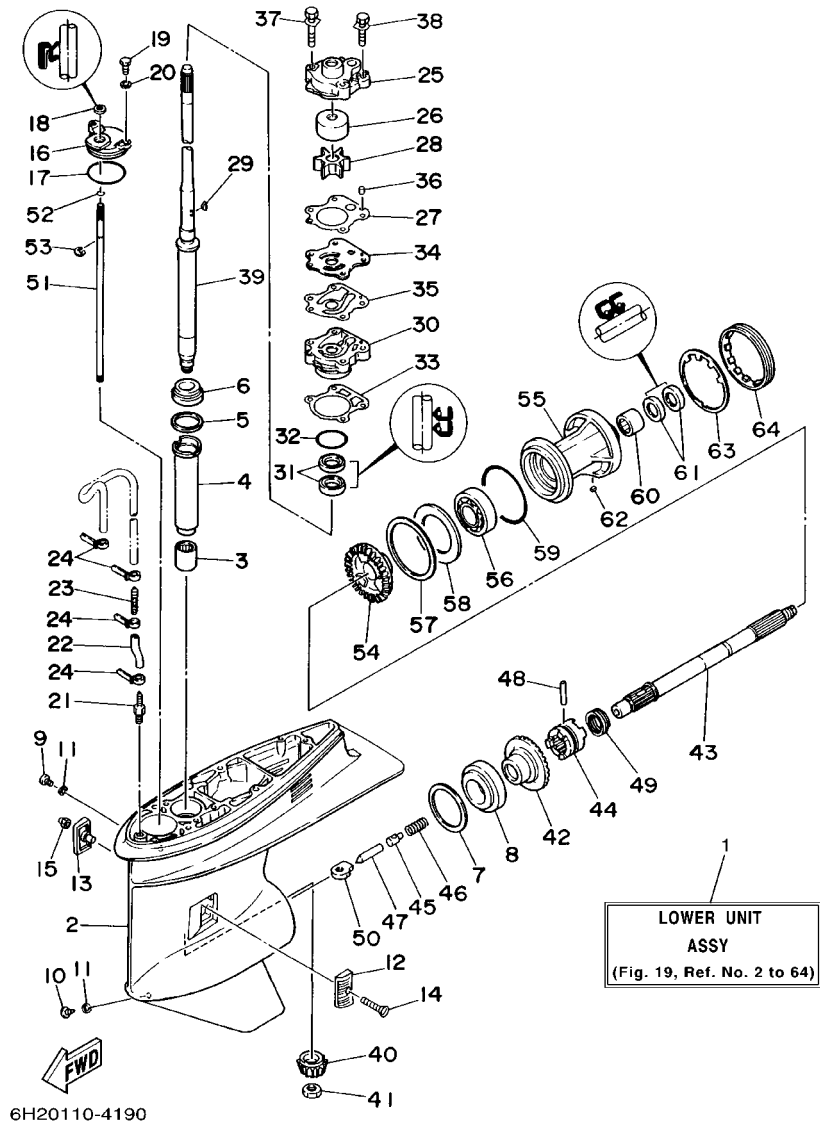
REF. NO.	PART NO.	DESCRIPTION	60ET	6ETO	7ETO	REMARKS
1	6H3-45300-E4-4D	LOWER UNIT ASSY	1			L
2	6H1-45301-12-4D	CASING, LOWER	1			
3	93315-325V1	BEARING	1			
4	688-45536-01	SLEEVE, DRIVE SHAFT	1			
5	688-45587-01-10	SHIM (T:0.10MM)	1			UR
	688-45587-01-12	SHIM (T:0.12MM)	1			UR
	688-45587-01-15	SHIM (T:0.15MM)	1			UR
	688-45587-01-18	SHIM (T:0.18MM)	1			UR
	688-45587-01-30	SHIM (T:0.30MM)	1			UR
	688-45587-01-40	SHIM (T:0.40MM)	1			UR
	688-45587-01-50	SHIM (T:0.50MM)	1			UR
6	93332-000U3	BEARING	1			
7	688-45567-01-10	SHIM (T:0.10MM)	1			UR
	688-45567-01-12	SHIM (T:0.12MM)	1			UR
	688-45567-01-15	SHIM (T:0.15MM)	1			UR
	688-45567-01-18	SHIM (T:0.18MM)	1			UR
	688-45567-01-30	SHIM (T:0.30MM)	1			UR
	688-45567-01-40	SHIM (T:0.40MM)	1			UR
	688-45567-01-50	SHIM (T:0.50MM)	1			UR
8	93332-000W7	BEARING	1			
9	90340-08M04	PLUG, STRAIGHT SCREW	1			
10	688-45341-00	PLUG, DRAIN	1			
11	90430-08020	GASKET	2			
12	6H1-45214-00	COVER, WATER INLET	1			
13	6H1-45215-00	COVER, WATER INLET	1			
14	90151-05M00	SCREW, COUNTERSUNK	1			
15	90185-05002	NUT, SELF-LOCKING	1			

FIG. 19 LOWER CASING. DRIVE 1



REF. NO.	PART NO.	DESCRIPTION	60ET	6ETO	7ETO	REMARKS
16	688-45321-00	PLATE	1			
17	93210-49046	O-RING	1			
18	93106-09014	OIL SEAL	1			
19	97095-06016	BOLT	2			
20	92995-06600	WASHER	2			
<hr/>						
21	6E5-45378-00	NIPPLE, HOSE	1			
22	90445-07ME9	HOSE (L120)	1			L
23	6E5-83558-10	END, NIPPLE	1			
24	90465-11M10	CLAMP	4			
25	6H3-44311-00	HOUSING, WATER PUMP	1			
<hr/>						
26	663-44322-00	INSERT, CARTRIDGE	1			
27	6H3-44315-A0	GASKET, WATER PUMP	1			
28	6H3-44352-00	IMPELLER	1			
29	90280-03M03	KEY, WOODRUFF	1			
30	6H3-44341-00-94	HOUSING, WATER PUMP	1			
<hr/>						
31	93101-23070	OIL SEAL	2			
32	93210-46044	O-RING	1			
33	688-44316-A0	GASKET, WATER PUMP	1			
34	6H3-44323-00	OUTER PLATE, CARTRIDGE	1			
35	6H3-44324-A0	GASKET, CARTRIDGE	1			
<hr/>						
36	93604-10M03	PIN, DOWEL	2			
37	90119-08M33	BOLT, WITH WASHER	2			
38	90119-08M14	BOLT, WITH WASHER	2			
39	6H3-45501-10	DRIVE SHAFT COMP.	1			L
40	6K5-45551-00	PINION (12T)	1			
41	90170-16M01	NUT	1			
<hr/>						
42	6K5-45560-00	GEAR (28T)	1			

FIG. 19 LOWER CASING. DRIVE 1

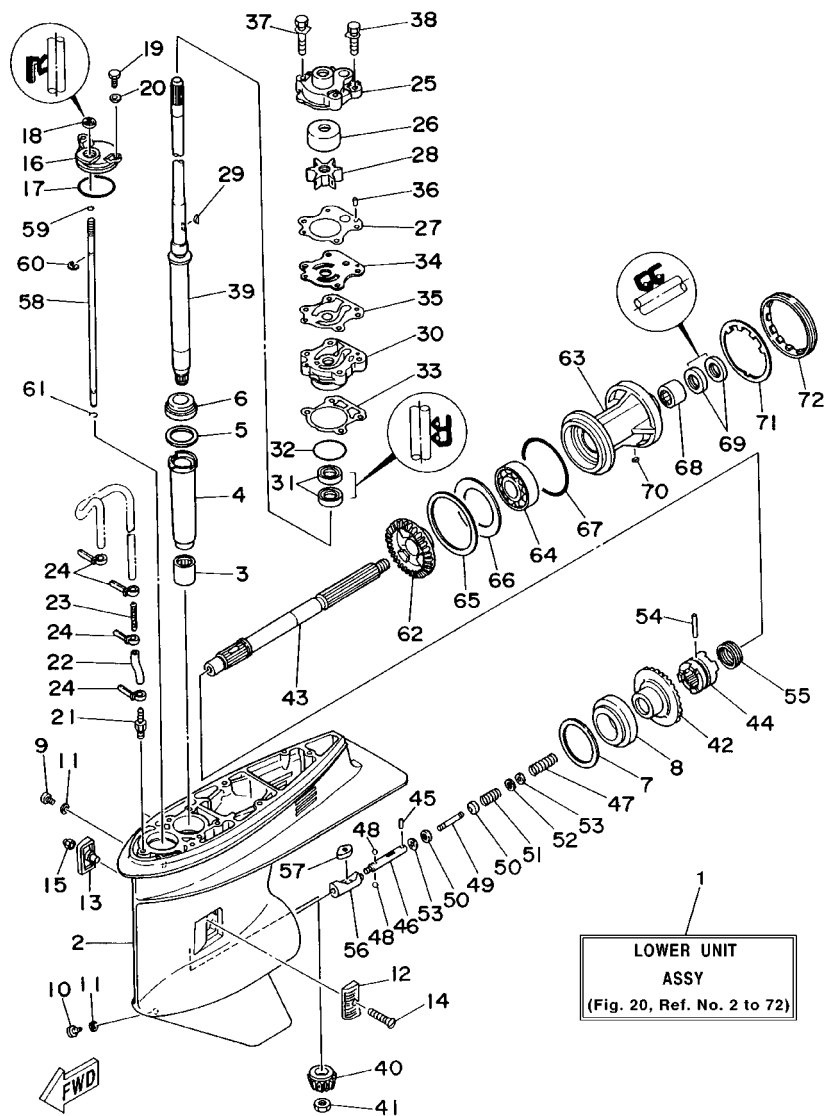


REF. NO.	PART NO.	DESCRIPTION	60ET	6ETO	7ETO	REMARKS
43	688-45611-00	SHAFT, PROPELLER	1			
44	688-45631-01	CLUTCH, DOG	1			
45	688-45634-00	SLIDE, SHIFT	1			
46	90501-16233	SPRING, COMPRESSION	1			
47	688-45635-00	PLUNGER, SHIFT	1			
48	90250-07M02	PIN, STRAIGHT	1			
49	688-45633-00	RING, CROSS PIN	1			
50	663-44151-00	CAM, SHIFT	1			
51	6K5-44144-00	ROD, SHIFT	1			
52	93210-07003	O-RING	1			
53	93430-08006	CIRCLIP	1			
54	6K5-45571-00	GEAR (28T)	1			
55	688-45331-00-94	HOUSING, BEARING	1			
56	93306-207U0	BEARING	1			
57	688-45577-01-10	SHIM (T:0.10MM)	1			UR
	688-45577-01-12	SHIM (T:0.12MM)	1			UR
	688-45577-01-15	SHIM (T:0.15MM)	1			UR
	688-45577-01-18	SHIM (T:0.18MM)	1			UR
	688-45577-01-30	SHIM (T:0.30MM)	1			UR
	688-45577-01-40	SHIM (T:0.40MM)	1			UR
	688-45577-01-50	SHIM (T:0.50MM)	1			UR
58	688-45576-00	WASHER, THRUST	1			
59	93210-85M97	O-RING	1			
60	93317-325U0	BEARING	1			
61	93101-25M03	OIL SEAL	2			
62	90282-04010	KEY, STRAIGHT	1			
63	688-45383-02	WASHER, CLAW	1			





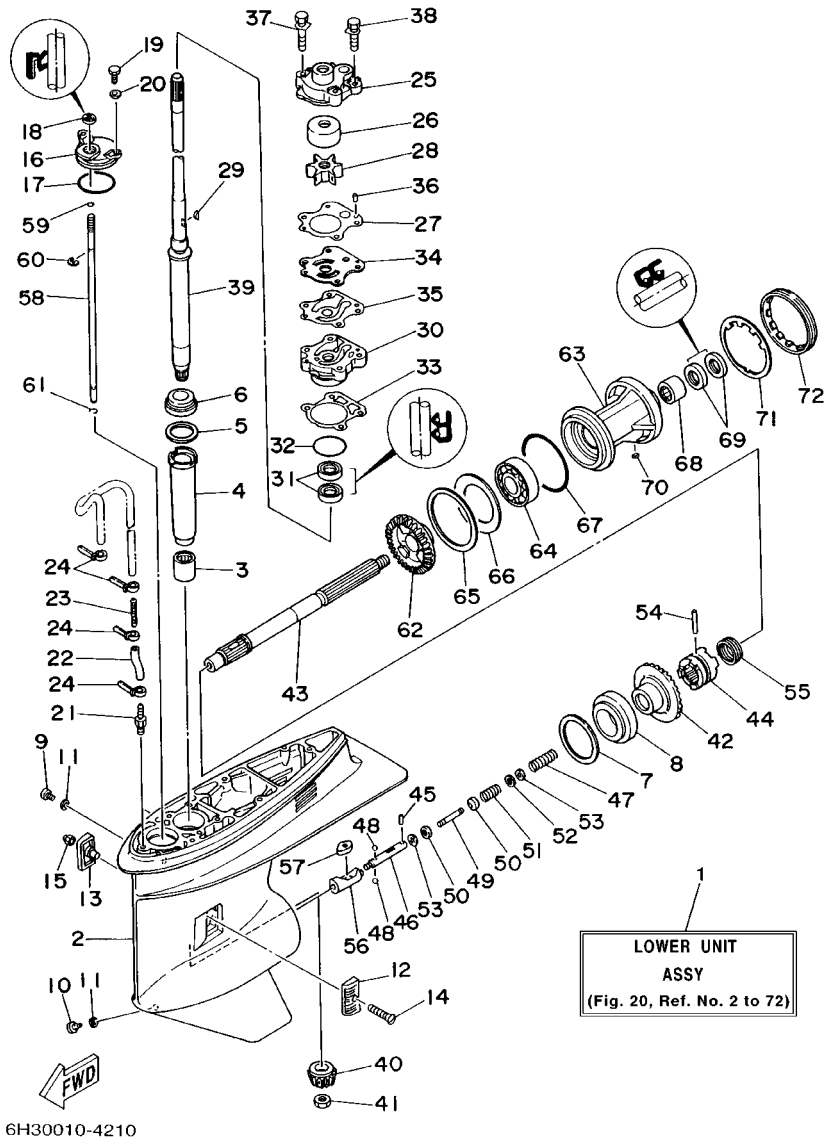
FIG. 20 LOWER CASING. DRIVE 2



6H30010-4210

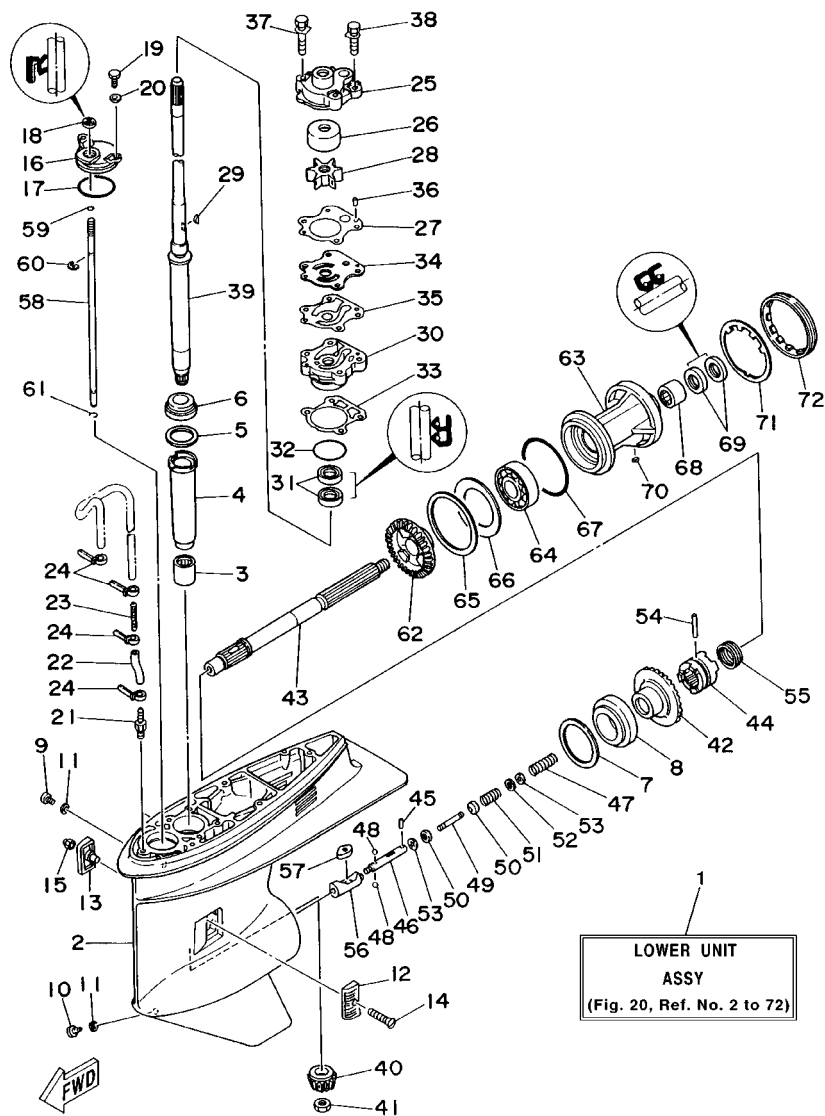
REF. NO.	PART NO.	DESCRIPTION	60ET	6ETO	7ETO	REMARKS
1	6H3-45300-15-4D	LOWER UNIT ASSY		1	1	
2	6H1-45301-03-4D	CASING, LOWER		1	1	
3	93315-325V1	BEARING		1	1	
4	688-45536-01	SLEEVE, DRIVE SHAFT		1	1	
5	688-45587-01-10	SHIM (T:0.10MM)		1	1	UR
	688-45587-01-12	SHIM (T:0.12MM)		1	1	UR
	688-45587-01-15	SHIM (T:0.15MM)		1	1	UR
	688-45587-01-18	SHIM (T:0.18MM)		1	1	UR
	688-45587-01-30	SHIM (T:0.30MM)		1	1	UR
	688-45587-01-40	SHIM (T:0.40MM)		1	1	UR
	688-45587-01-50	SHIM (T:0.50MM)		1	1	UR
6	93332-000U3	BEARING		1	1	
7	688-45567-01-10	SHIM (T:0.10MM)		1	1	UR
	688-45567-01-12	SHIM (T:0.12MM)		1	1	UR
	688-45567-01-15	SHIM (T:0.15MM)		1	1	UR
	688-45567-01-18	SHIM (T:0.18MM)		1	1	UR
	688-45567-01-30	SHIM (T:0.30MM)		1	1	UR
	688-45567-01-40	SHIM (T:0.40MM)		1	1	UR
	688-45567-01-50	SHIM (T:0.50MM)		1	1	UR
8	93332-000W7	BEARING		1	1	
9	90340-08M04	PLUG, STRAIGHT SCREW		1	1	
10	688-45341-00	PLUG, DRAIN		1	1	
11	90430-08020	GASKET		2	2	
12	6H1-45214-00	COVER, WATER INLET		1	1	
13	6H1-45215-00	COVER, WATER INLET		1	1	
14	90151-05M00	SCREW, COUNTERSUNK		1	1	
15	90185-05002	NUT, SELF-LOCKING		1	1	

FIG. 20 LOWER CASING. DRIVE 2



REF. NO.	PART NO.	DESCRIPTION	60ET	6ETO	7ETO	REMARKS
16	688-45321-00	PLATE		1	1	
17	93210-49046	O-RING		1	1	
18	93106-09014	OIL SEAL		1	1	
19	97095-06016	BOLT		2	2	
20	92995-06600	WASHER		2	2	
<hr/>						
21	6E5-45378-00	NIPPLE, HOSE		1	1	
22	90445-07ME9	HOSE (L120)		1	1	L
	90445-07MF2	HOSE (L250)		1	1	X
23	6E5-83558-10	END, NIPPLE		1	1	
24	90465-11M10	CLAMP		4	4	
<hr/>						
25	6H3-44311-00	HOUSING, WATER PUMP		1	1	
26	663-44322-00	INSERT, CARTRIDGE		1	1	
27	6H3-44315-A0	GASKET, WATER PUMP		1	1	
28	6H3-44352-00	IMPELLER		1	1	
29	90280-03M03	KEY, WOODRUFF		1	1	
<hr/>						
30	6H3-44341-00-94	HOUSING, WATER PUMP		1	1	
31	93101-23070	OIL SEAL		2	2	
32	93210-46044	O-RING		1	1	
33	688-44316-A0	GASKET, WATER PUMP		1	1	
34	6H3-44323-00	OUTER PLATE, CARTRIDGE		1	1	
<hr/>						
35	6H3-44324-A0	GASKET, CARTRIDGE		1	1	
36	93604-10M03	PIN, DOWEL		2	2	
37	90119-08M33	BOLT, WITH WASHER		2	2	
38	90119-08M14	BOLT, WITH WASHER		2	2	
39	6H3-45501-10	DRIVE SHAFT COMP.		1	1	L
	6H3-45501-20	DRIVE SHAFT COMP.		1	1	X
<hr/>						
40	6K5-45551-00	PINION (12T)		1	1	

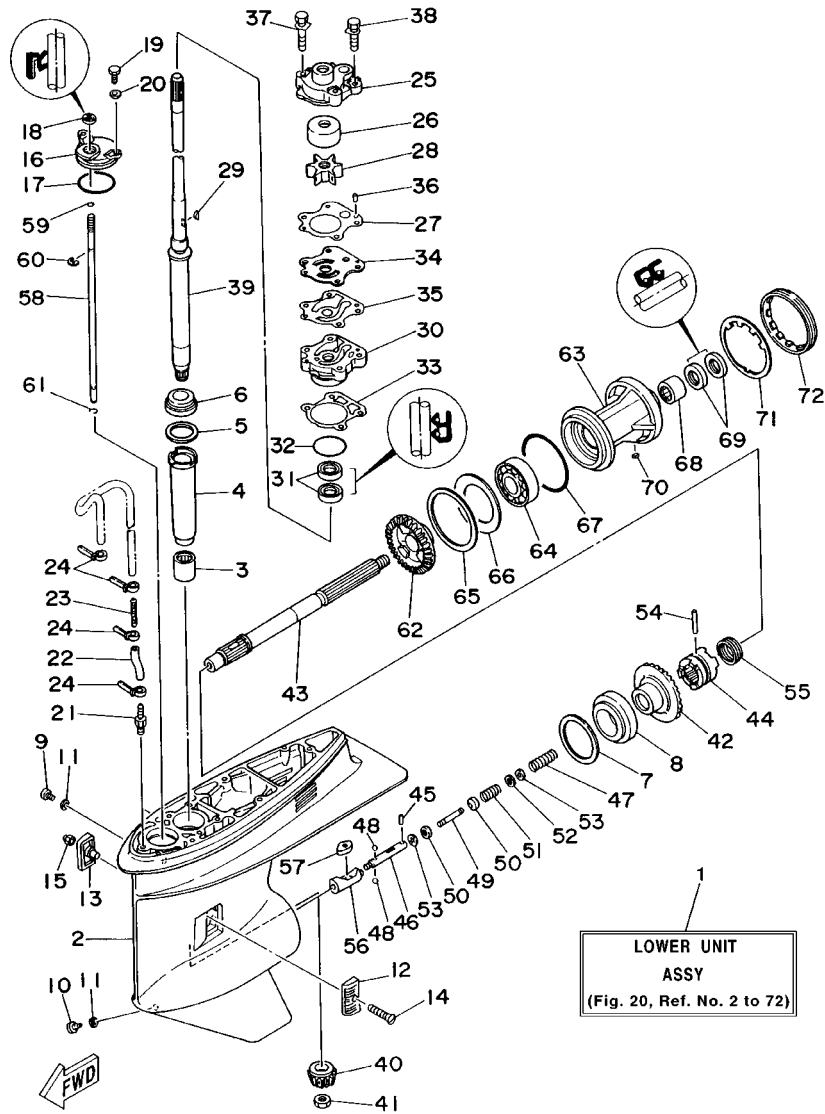
FIG. 20 LOWER CASING. DRIVE 2



6H30010-4210

REF. NO.	PART NO.	DESCRIPTION	60ET	6ETO	7ETO	REMARKS
41	90170-16M01	NUT		1	1	
42	6K5-45560-00	GEAR (28T)		1	1	
43	6H1-45611-01	SHAFT, PROPELLER		1	1	
44	6H1-45631-01	CLUTCH, DOG		1	1	
45	93603-12M11	PIN, DOWEL		1	1	
46	6H1-45634-02	SLIDE, SHIFT		1	1	
47	90501-16M65	SPRING, COMPRESSION		1	1	
48	93503-16003	BALL		2	2	
49	6H1-45668-00	SHAFT, FREE		1	1	
50	6H1-45635-00	PLUNGER, SHIFT		2	2	
51	90501-12M48	SPRING, COMPRESSION		1	1	
52	90201-03313	WASHER, PLATE		1	1	
53	90183-02M03	NUT, SPRING		2	2	
54	90250-07M02	PIN, STRAIGHT		1	1	
55	688-45633-00	RING, CROSS PIN		1	1	
56	6H1-45641-01	SHIFTER		1	1	
57	6H1-44151-00	CAM, SHIFT		1	1	
58	6H1-44144-00	ROD, SHIFT		1	1	
59	93210-07003	O-RING		1	1	
60	93430-08006	CIRCLIP		1	1	
61	93450-07M00	CIRCLIP		1	1	
62	6H3-45571-00	GEAR		1	1	
63	688-45331-00-94	HOUSING, BEARING		1	1	
64	93306-207U0	BEARING		1	1	
65	688-45577-01-10	SHIM (T:0.10MM)		1	1	UR
66	688-45577-01-12	SHIM (T:0.12MM)		1	1	UR
67	688-45577-01-15	SHIM (T:0.15MM)		1	1	UR

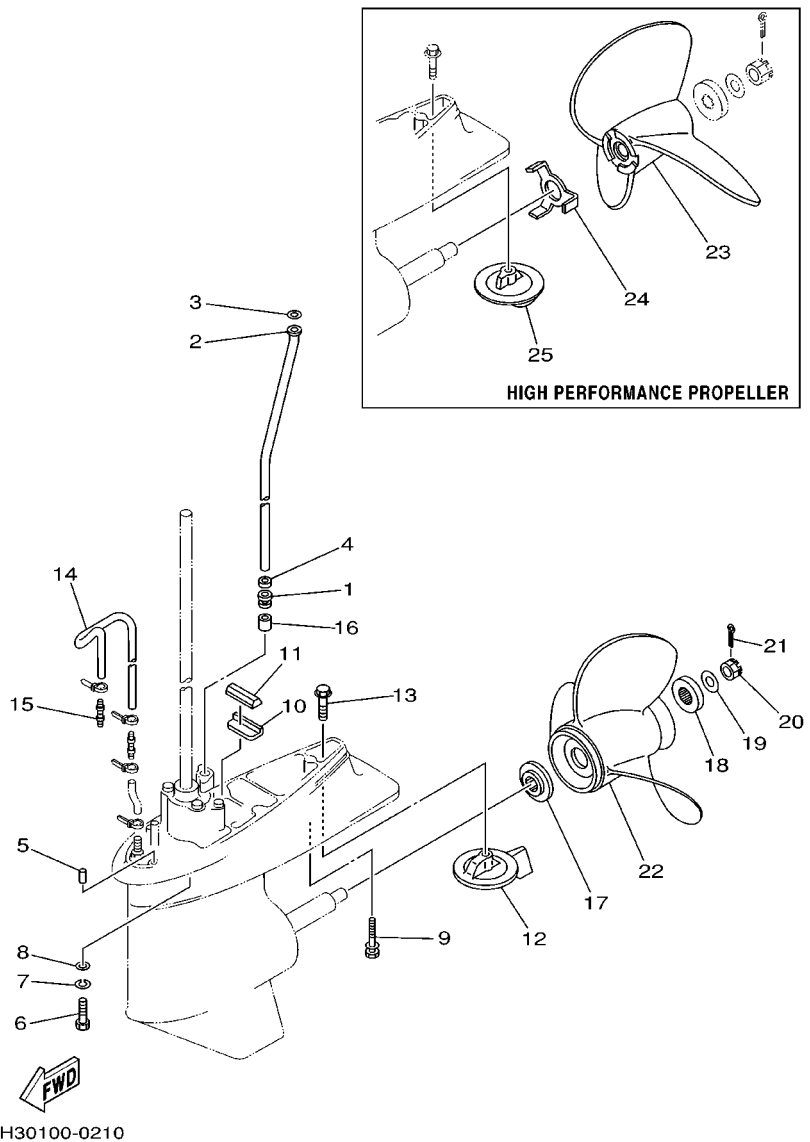
FIG. 20 LOWER CASING. DRIVE 2



6H30010-4210

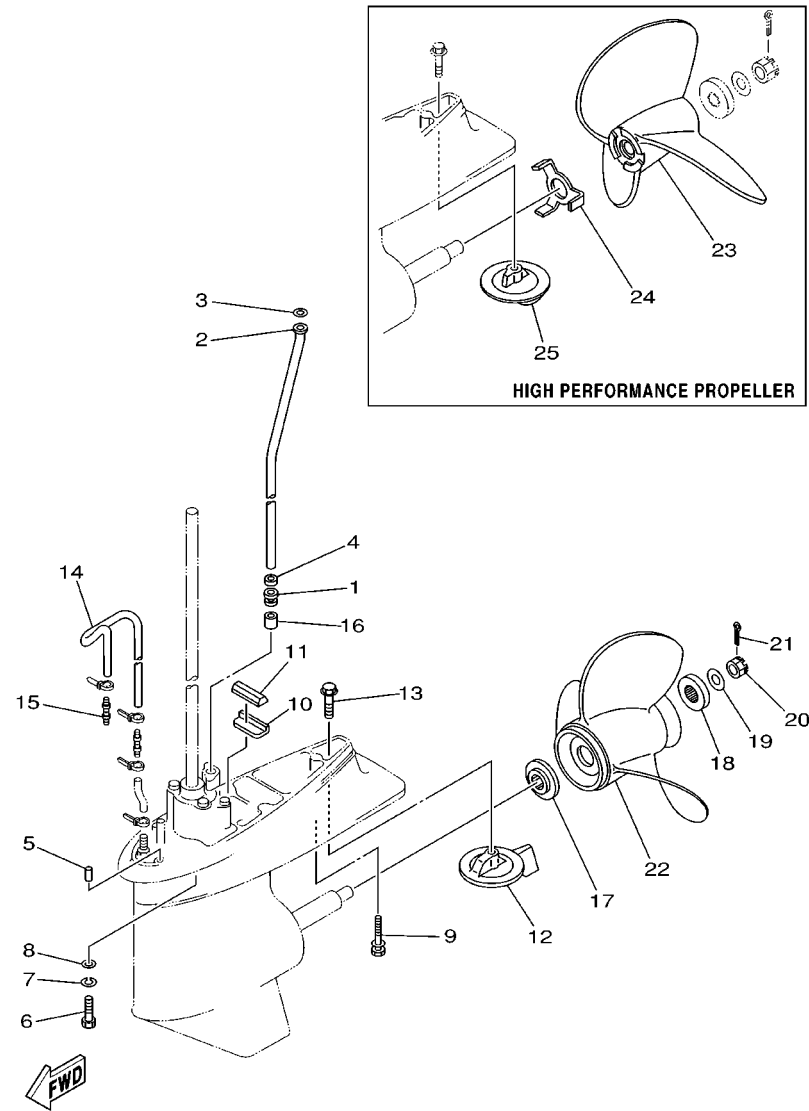
REF. NO.	PART NO.	DESCRIPTION	60ET	6ETO	7ETO	REMARKS
65	688-45577-01-18	SHIM (T:0.18MM)		1	1	UR
	688-45577-01-30	SHIM (T:0.30MM)		1	1	UR
	688-45577-01-40	SHIM (T:0.40MM)		1	1	UR
	688-45577-01-50	SHIM (T:0.50MM)		1	1	UR
66	688-45576-00	WASHER, THRUST		1	1	
67	93210-85M97	O-RING		1	1	
68	93317-325U0	BEARING		1	1	
69	93101-25M03	OIL SEAL		2	2	
70	90282-04010	KEY, STRAIGHT		1	1	
71	688-45383-02	WASHER, CLAW		1	1	
72	688-45384-00	NUT		1	1	

FIG. 21 LOWER CASING. DRIVE 3



REF. NO.	PART NO.	DESCRIPTION	60ET	6ETO	7ETO	REMARKS
1	663-44367-00	DAMPER, WATER SEAL	1	1	1	
2	6H3-44361-10	TUBE, WATER	1	1	1	L
	6H3-44361-20	TUBE, WATER			1	X
3	90202-12060	WASHER, PLATE	1	1	1	
4	90430-12072	GASKET	1	1	1	
5	93606-12019	PIN, DOWEL	2	2	2	
6	97075-10040	BOLT	4	4	4	L
7	92990-10100	WASHER, SPRING	4	4	4	
8	92990-10600	WASHER, PLATE	4	4	4	
9	90119-08M84	BOLT, WITH WASHER	1	1	1	L
10	663-45376-00-94	GUIDE, SEAL DAMPER	1	1	1	
11	688-45375-00	DAMPER, SEAL	1	1	1	
12	688-45371-02	TAB-TRIM	1	1	1	
13	90105-10M67	BOLT, WASHER BASED	1	1	1	
14	90445-07MF1	HOSE (L570)	1	1	1	
15	6E5-83558-00	END, NIPPLE	1	1	1	
16	663-44366-00	DAMPER, WATER SEAL	1	1	1	
17	688-45987-01	SPACER	1	1	1	
18	688-45997-01	SPACER	1	1	1	
19	90201-17M00	WASHER, PLATE	1	1	1	
20	90171-16011	NUT, CASTLE	1	1	1	
21	91490-40025	PIN, COTTER	1	1	1	
22	6E5-45941-00-EL	PROPELLER (3X13"X19"-K)	1	1	1	UR
	6E5-45943-00-EL	PROPELLER (3X12-5/8"X21"-K)	1	1	1	UR
	6E5-45945-01-EL	PROPELLER (3X13-1/4"X17"-K)	1	1	1	UR
	6E5-45947-00-EL	PROPELLER (3X13-1/2"X15"-K)	1	1	1	UR
	6E5-45949-00-EL	PROPELLER (3X13-5/8"X13"-K)	1	1	1	UR

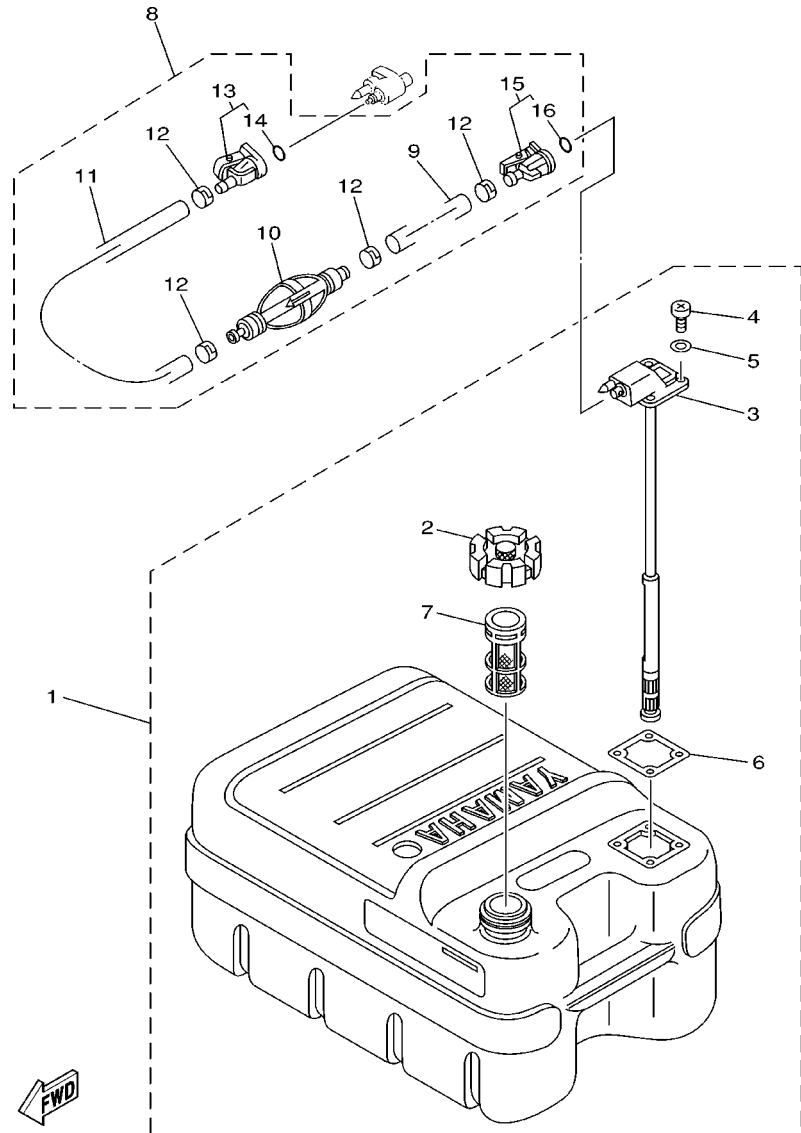
FIG. 21 LOWER CASING, DRIVE 3



6H30100-0210

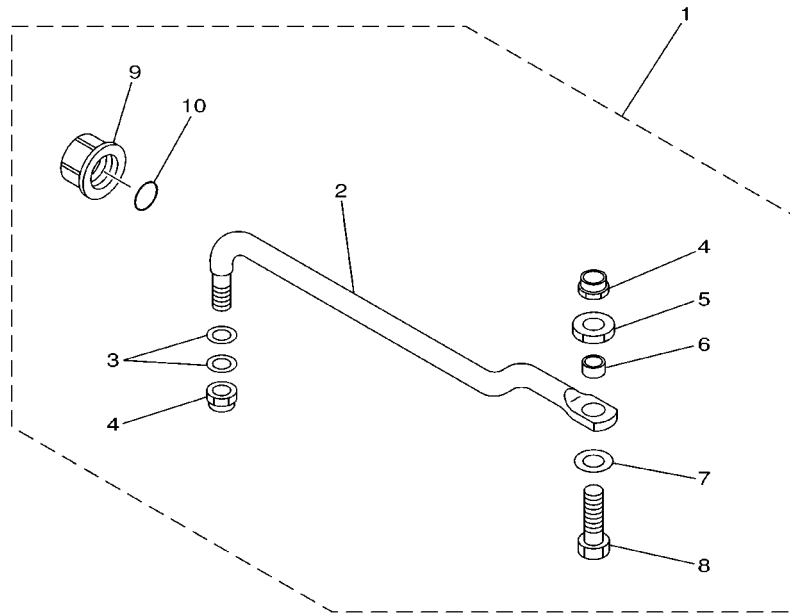
REF. NO.	PART NO.	DESCRIPTION	60ET	6ETO	7ETO	REMARKS
22	6E5-45952-00-EL	PROPELLER (3X13"X23"-K)	1	1	1	UR
	6E5-45954-00-EL	PROPELLER (3X14"X11"-K)	1	1	1	UR
	6E5-45956-00-EL	PROPELLER (3X13"X25"-K)	1	1	1	UR
		STAINLESS STEEL PROPELLER				
	688-45930-02-98	PROPELLER (3X13"X17"-K)	1	1	1	UR
	688-45970-03-98	PROPELLER (3X13"X19"-K)	1	1	1	UR
	688-45972-02-98	PROPELLER (3X13"X21"-K)	1	1	1	UR
	688-45974-02-98	PROPELLER (3X13"X23"-K)	1	1	1	UR
	688-45976-01-98	PROPELLER (3X13"X25"-K)	1	1	1	UR
	688-45932-60-98	PROPELLER (3X13-1/2"X14"-K)	1	1	1	UR
	688-45978-60-98	PROPELLER (3X13-1/2"X16"-K)	1	1	1	UR
		HIGH PERFORMANCE PROPELLER				
23	6E5-45970-10	PROPELLER (3X14"X20"-P)	1	1	1	UR
	6E5-45972-10	PROPELLER (3X14"X24"-P)	1	1	1	UR
	6E5-45974-10	PROPELLER (3X14"X28"-P)	1	1	1	UR
	6E5-45976-10	PROPELLER (3X14"X22"-P)	1	1	1	UR
	6E5-45978-10	PROPELLER (3X14"X26"-P)	1	1	1	UR
24	6E5-45994-10	PLATE, TOOTH	1	1	1	
25	6E5-45371-10	TAB-TRIM	1	1	1	

FIG. 22 FUEL TANK



REF. NO.	PART NO.	DESCRIPTION	60ET	6ETO	7ETO	REMARKS
1	6YJ-24201-10	FUEL TANK ASSY (24L)	1	1	1	AP WITH INDICATOR
2	6YJ-24610-01	.CAP ASSY	1	1	1	
3	6Y1-24260-12	.FUEL METER ASSY	1	1	1	WITH INDICATOR
4	98586-05016	.SCREW, PAN HEAD	4	4	4	
5	6Y1-24329-00	.SEAL	4	4	4	
6	6Y1-24268-00	.GASKET, FUEL METER	1	1	1	
7	6YJ-24167-00	.STRAINER	1	1	1	
8	61J-24306-02	FUEL PIPE COMP. 1	1	1	1	AP
9	90445-11M06	.HOSE (L2050)	1	1	1	
10	61J-24360-00	.PRIMER PUMP ASSY	1	1	1	
11	90445-11M05	.HOSE (L:850MM)	1	1	1	
12	650-24351-51	.BAND 1	4	4	4	
13	6G1-24305-03	.FUEL PIPE JOINT COMP. 2	1	1	1	
14	93210-08287	..O-RING	1	1	1	
15	6Y1-24305-04	.FUEL PIPE JOINT COMP. 2	1	1	1	
16	93210-08287	..O-RING	1	1	1	

FIG. 23 STEERING GUIDE



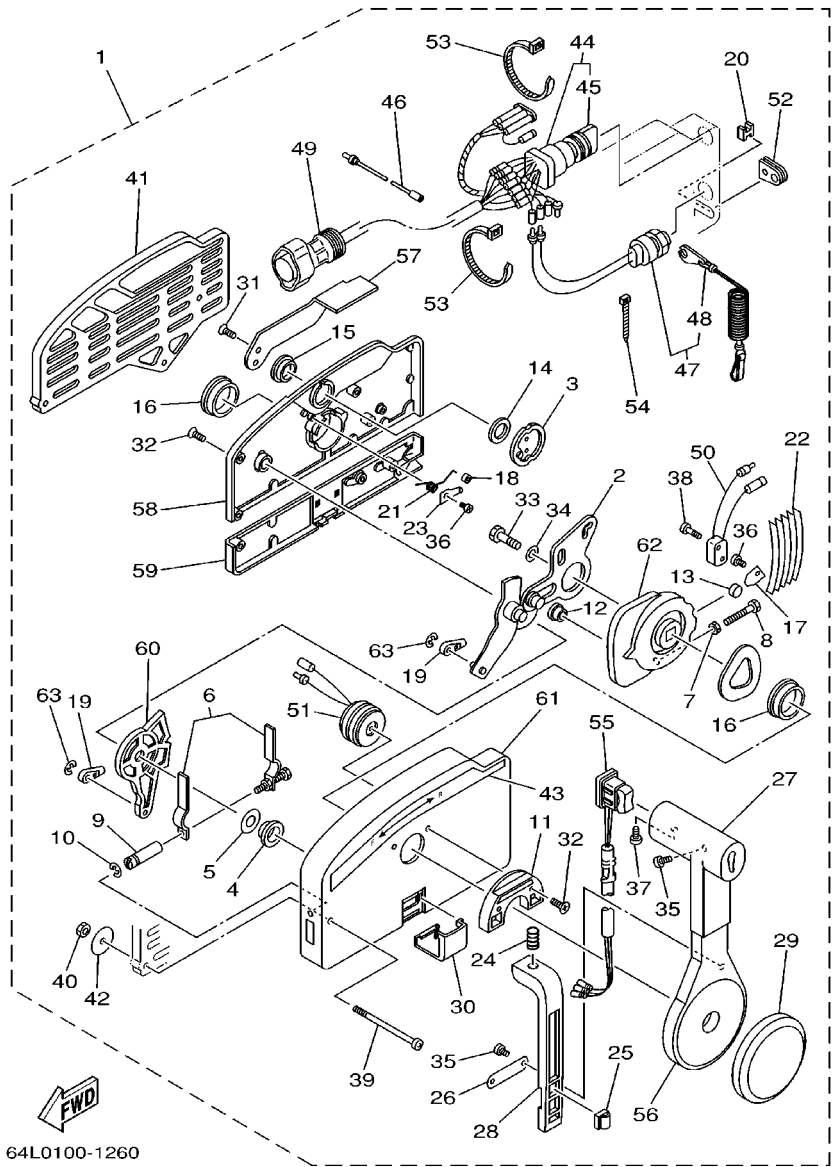
REF. NO.	PART NO.	DESCRIPTION	60ET	6ETO	7ETO	REMARKS
1	688-61350-10	STEERING GUIDE ATTACHMENT KIT	1	1	1	AP
2	688-61351-10	.ROD, STEERING LINK	1	1	1	
3	90201-10M20	.WASHER, PLATE	2	2	2	
4	90185-09M01	.NUT, SELF-LOCKING	2	2	2	
5	90170-09M03	.NUT	1	1	1	
6	90387-10M42	.COLLAR	1	1	1	
7	90201-10M63	.WASHER, PLATE	1	1	1	
8	6E5-61355-00	.BOLT	1	1	1	
9	6E5-43145-01	.CAP, CLAMP BRACKET	1	1	1	
10	93210-16275	.O-RING	1	1	1	

6880700-9190





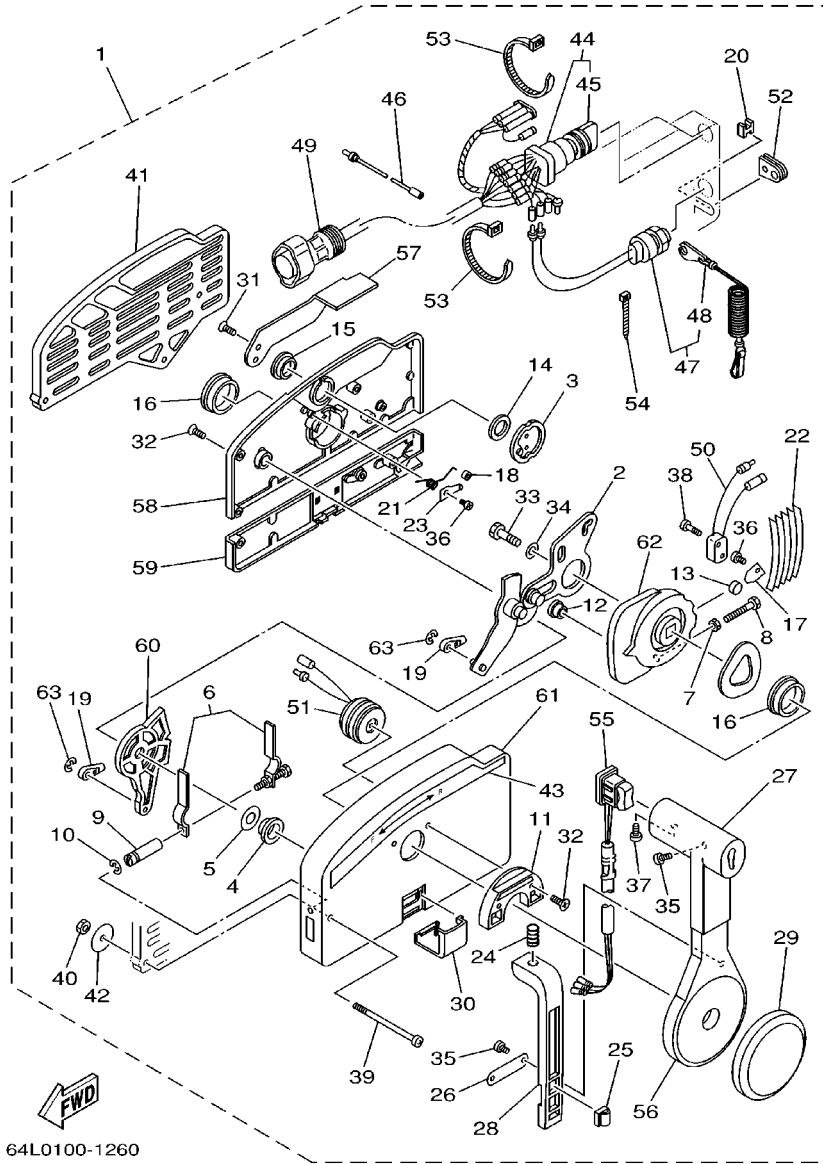
FIG. 25 REMOTE CONTROL ASSY 1



64L0100-1260

REF. NO.	PART NO.	DESCRIPTION	60ET	6ETO	7ETO	REMARKS
1	703-48205-16	REMOTE CONTROL ASSY	1			AP WITH PT/T SW.
2	703-48261-01	.ARM, THROTTLE	1			
3	703-48153-00	.SHAFT, FREE ACCEL.	1			
4	703-48235-00	.BUSHING	1			
5	703-48268-00	.SPACER	1			
6	703-48264-00	.THROTTLE, FRICTION	1			
7	95380-05600	.NUT	1			
8	97380-05025	.BOLT	1			
9	703-48265-00	.SHAFT, FRICTION	1			
10	93430-06024	.CIRCLIP	3			
11	703-48245-00	.PLATE, LOCK	1			
12	703-48252-00	.ROLLER, CAM	1			
13	701-48248-00	.ROLLER, FREE ACCEL.	1			
14	703-48198-00	.WASHER, WAVE	1			
15	703-48243-00	.BUSHING	1			
16	703-48236-00	.BUSHING 1	2			
17	703-48189-00	.RETAINER	1			
18	703-48234-00	.ROLLER, DETENT	1			
19	703-48345-01	.CABLE END,REMOTE CONTROL 2	2			
20	703-48358-00	.ANCHOR, CABLE	1			
21	703-48244-00	.SPRING, FREE ACCEL.	1			
22	703-48238-00	.SPRING, DETENT	5			
23	703-48246-00	.SPACER	1			
24	703-48227-00	.SPRING, NEUTRAL LOCK	1			
25	703-82594-00	.CLAMP	1			WITH PT/T SW.
26	703-48226-00	.PLATE, STOPPER	1			
27	703-48222-00	.GRIP, CONTROL LEVER	1			SINGLE

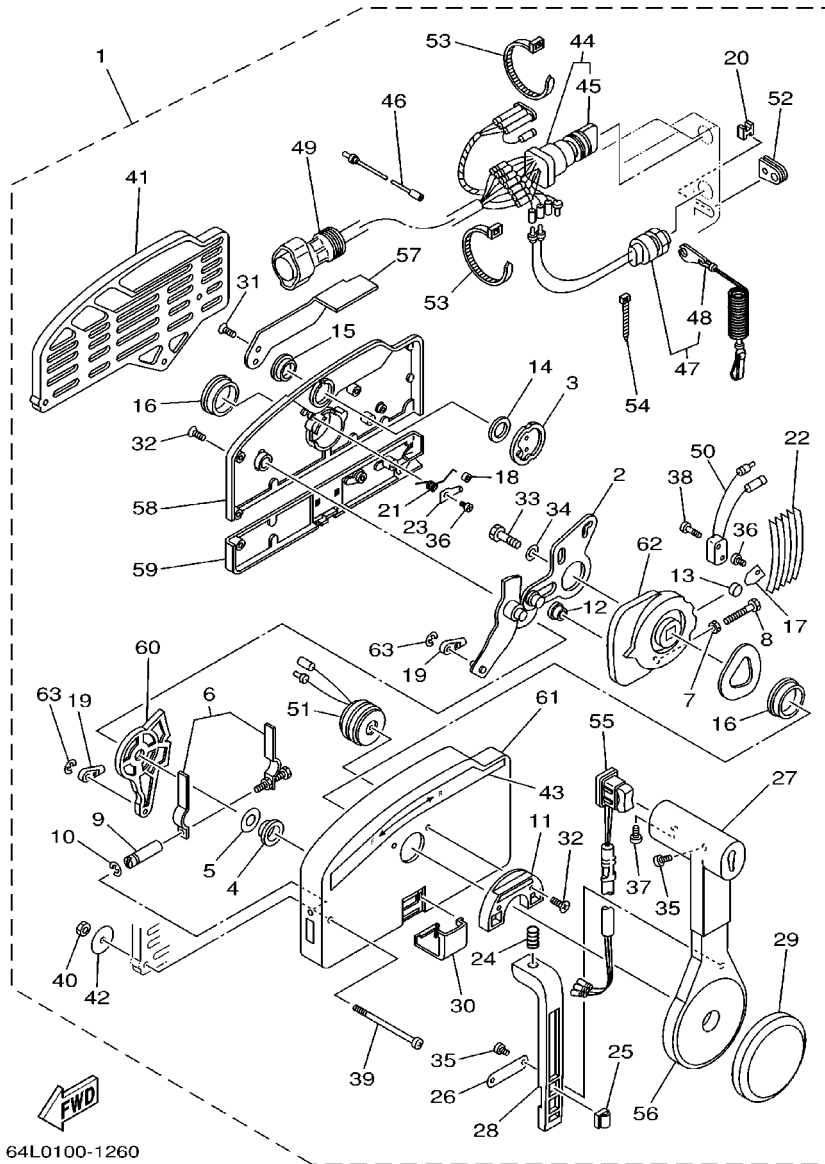
FIG. 25 REMOTE CONTROL ASSY 1



64L0100-1260

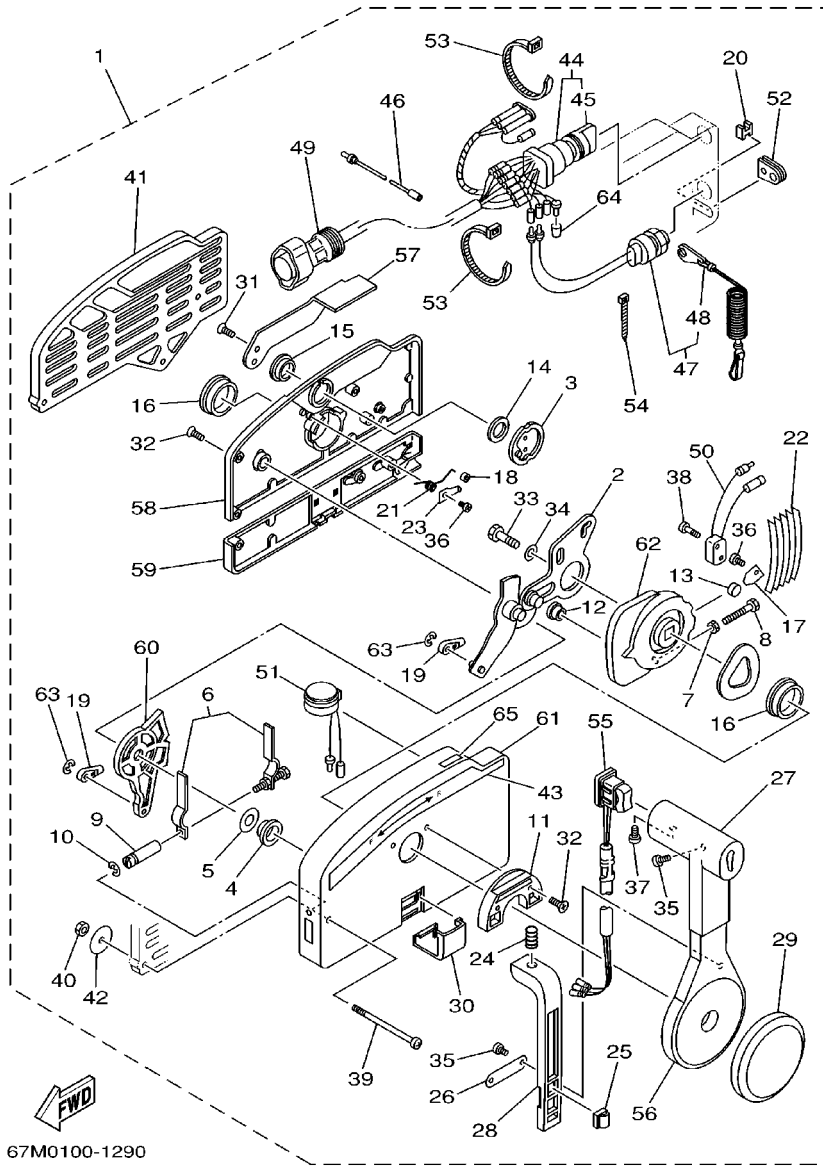
REF. NO.	PART NO.	DESCRIPTION	60ET	6ETO	7ETO	REMARKS
28	703-48223-00	.LOCK, NEUTRAL	1			
29	703-48225-00	.COVER	1			
30	703-48219-00	.COVER, LEAD	1			
31	703-48281-00	.SCREW	2			
32	703-48282-00	.SCREW	7			
33	97095-08030	.BOLT	1			
34	92990-08600	.WASHER, PLATE	1			
35	98580-04010	.SCREW, PAN HEAD	3			
36	98580-04006	.SCREW, PAN HEAD	2			
37	98580-05010	.SCREW, PAN HEAD	1			
38	98580-03015	.SCREW, PAN HEAD	2			
39	703-48291-10	.SCREW (M6)	3			
40	95380-06600	.NUT, HEXAGON	3			
41	703-48293-10	.SPACER, REMOTE CONTROL	1			SINGLE
42	701-48287-00	.WASHER	3			
43	703-48215-00	.GRAPHIC	1			
44	703-82510-42	.MAIN SWITCH ASSY	1			
45	676-82577-00	..CAP, KEY	1			
46	703-82531-00	.WIRE, LEAD	1			
47	688-82575-01	.ENGINE STOP SWITCH ASSY	1			
48	682-82556-00	..STOPPER	1			
49	688-8258A-20	.EXTENSION, WIRE HARNESS	1			L:5M (10P)
50	703-82540-00	.NEUTRAL SWITCH ASSY	1			
51	703-83383-02	.BUZZER	1			
52	703-48284-00	.GROMMET	1			
53	703-82591-00	.BAND	2			
54	703-82592-00	.BAND	1			

FIG. 25 REMOTE CONTROL ASSY 1



64L0100-1260

REF. NO.	PART NO.	DESCRIPTION	60ET	6ETO	7ETO	REMARKS
55	703-82563-02	.TRIM & TILT SWITCH ASSY	1			
56	703-48221-00	.LEVER, CONTROL	1			
57	703-48152-00	.KNOB, FREE ACCEL.	1			
58	703-48212-00	.BACK PLATE 1	1			
59	703-48213-00	.BACK PLATE 2	1			
60	703-48271-00	.ARM, SHIFT	1			
61	703-48211-01	.HOUSING,1	1			
62	703-48232-00	.GEAR	1			
63	93430-06024	.CIRCLIP	2			

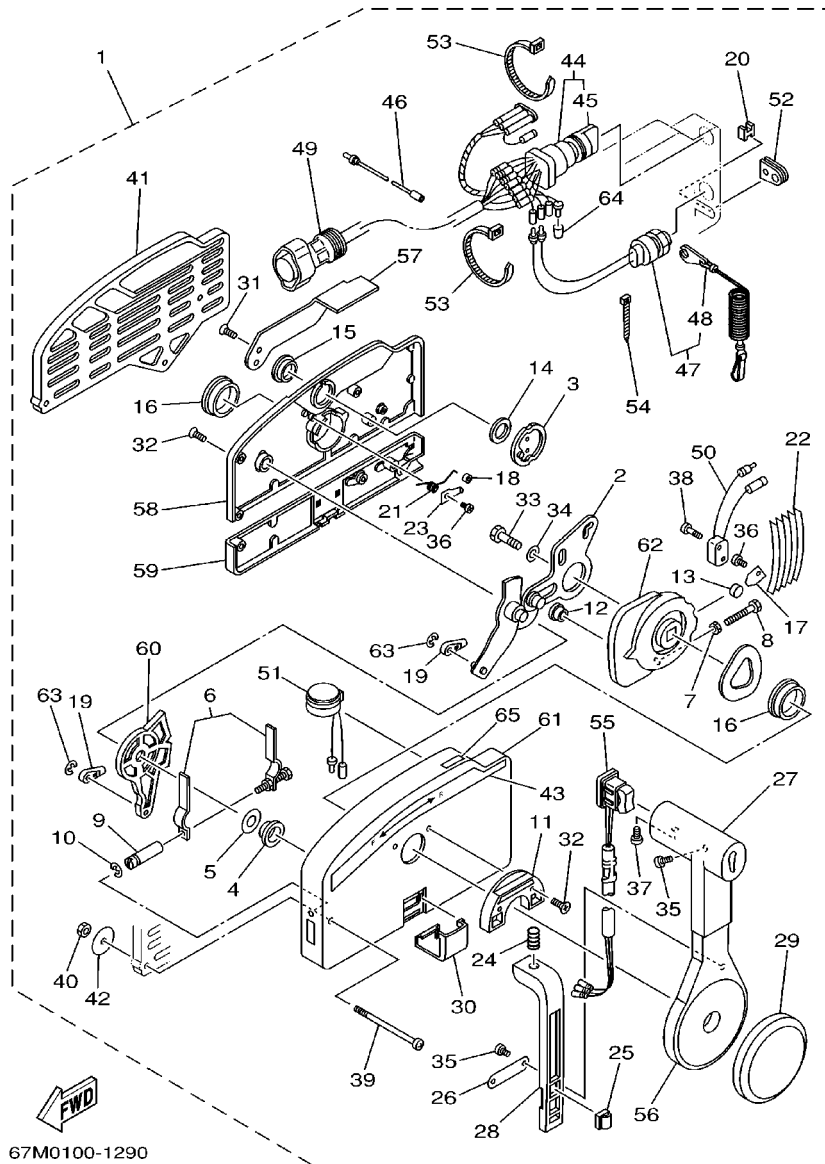


67M0100-1290

FIG. 26 REMOTE CONTROL ASSY 2

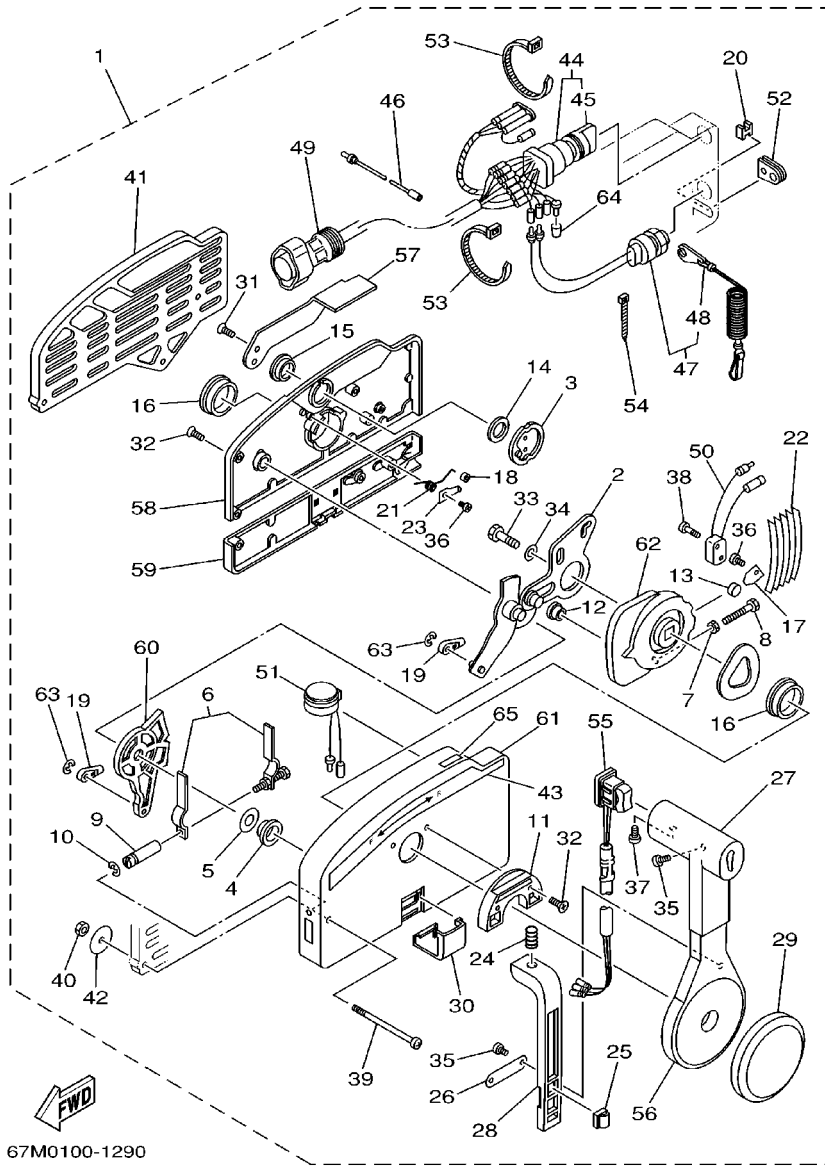
REF. NO.	PART NO.	DESCRIPTION	60ET	6ETO	7ETO	REMARKS
1	703-48205-A3	REMOTE CONTROL ASSY		1		AP WITH PT/T SW.
2	703-48261-01	.ARM, THROTTLE		1		
3	703-48153-00	.SHAFT, FREE ACCEL.		1		
4	703-48235-00	.BUSHING		1		
5	703-48268-00	.SPACER		1		
6	703-48264-00	.THROTTLE, FRICTION		1		
7	95380-05600	.NUT		1		
8	97380-05025	.BOLT		1		
9	703-48265-00	.SHAFT, FRICTION		1		
10	93430-06024	.CIRCLIP		3		
11	703-48245-00	.PLATE, LOCK		1		
12	703-48252-00	.ROLLER, CAM		1		
13	701-48248-00	.ROLLER, FREE ACCEL.		1		
14	703-48198-00	.WASHER, WAVE		1		
15	703-48243-00	.BUSHING		1		
16	703-48236-00	.BUSHING 1		2		
17	703-48189-00	.RETAINER		1		
18	703-48234-00	.ROLLER, DETENT		1		
19	703-48345-01	.CABLE END,REMOTE CONTROL 2		2		
20	703-48358-00	.ANCHOR, CABLE		1		
21	703-48244-00	.SPRING, FREE ACCEL.		1		
22	703-48238-00	.SPRING, DETENT		5		
23	703-48246-00	.SPACER		1		
24	703-48227-00	.SPRING, NEUTRAL LOCK		1		
25	703-82594-00	.CLAMP		1		WITH PT/T SW.
26	703-48226-00	.PLATE, STOPPER		1		
27	703-48222-00	.GRIP, CONTROL LEVER		1		SINGLE

FIG. 26 REMOTE CONTROL ASSY 2



67M0100-1290

REF. NO.	PART NO.	DESCRIPTION	60ET	6ETO	7ETO	REMARKS
28	703-48223-00	.LOCK, NEUTRAL		1		
29	703-48225-00	.COVER		1		
30	703-48219-00	.COVER, LEAD		1		
31	703-48281-00	.SCREW		2		
32	703-48282-00	.SCREW		7		
33	97095-08030	.BOLT		1		
34	92990-08600	.WASHER, PLATE		1		
35	98580-04010	.SCREW, PAN HEAD		3		
36	98580-04006	.SCREW, PAN HEAD		2		
37	98580-05010	.SCREW, PAN HEAD		1		
38	98580-03015	.SCREW, PAN HEAD		2		
39	703-48291-10	.SCREW (M6)		3		
40	95380-06600	.NUT, HEXAGON		3		
41	703-48293-10	.SPACER, REMOTE CONTROL		1		SINGLE
42	701-48287-00	.WASHER		3		
43	703-48215-00	.GRAPHIC		1		
44	703-82510-11	.MAIN SWITCH ASSY (10P)		1		FOR PRIME START MODEL
45	676-82577-00	.CAP, KEY		1		
46	703-82531-00	.WIRE, LEAD		1		
47	688-82575-01	.ENGINE STOP SWITCH ASSY		1		
48	682-82556-00	.STOPPER		1		
49	688-8258A-20	.EXTENSION, WIRE HARNESS		1		L:5M (10P)
50	703-82540-00	.NEUTRAL SWITCH ASSY		1		
51	703-83383-A0	.BUZZER		1		
52	703-48284-00	.GROMMET		1		
53	90464-13080	.CLAMP		2		
54	703-82592-00	.BAND		1		

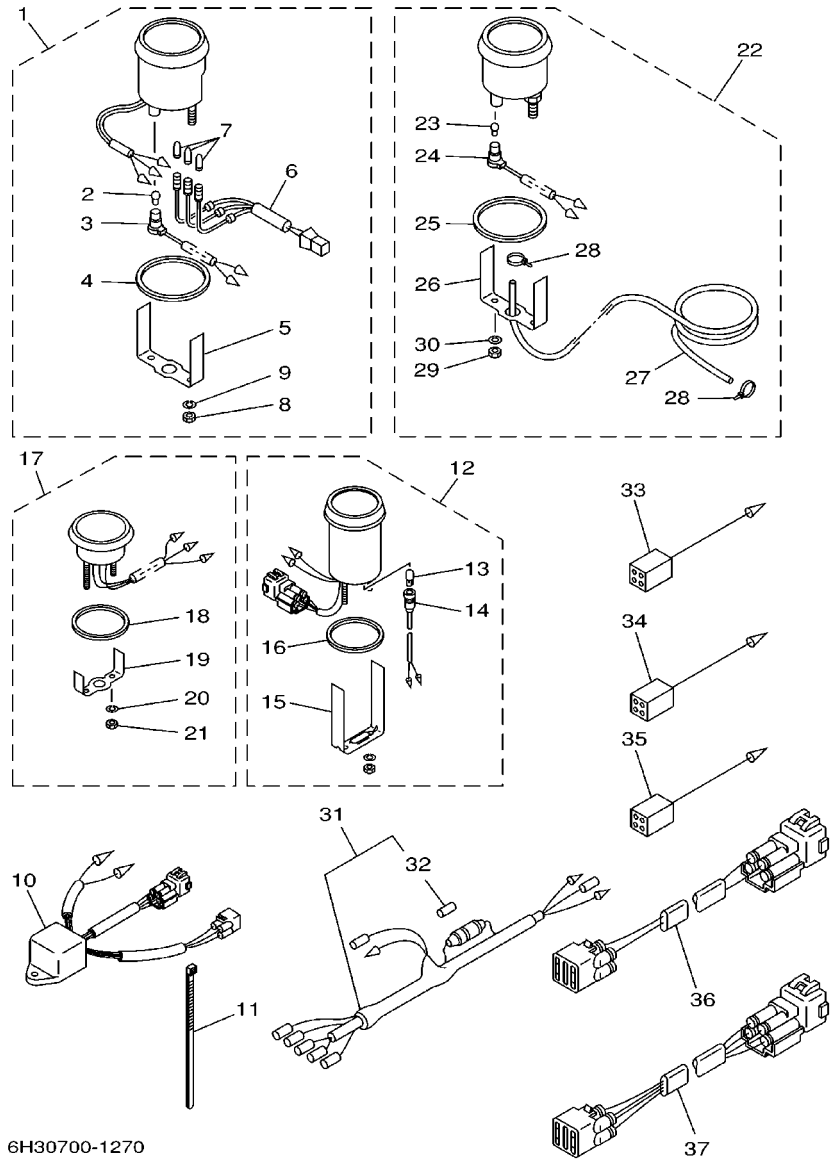


67M0100-1290

FIG. 26 REMOTE CONTROL ASSY 2

REF. NO.	PART NO.	DESCRIPTION	60ET	6ETO	7ETO	REMARKS
55	703-82563-02	.TRIM & TILT SWITCH ASSY		1		
56	703-48221-00	.LEVER, CONTROL		1		
57	703-48152-00	.KNOB, FREE ACCEL.		1		
58	703-48212-00	.BACK PLATE 1		1		
59	703-48213-00	.BACK PLATE 2		1		
60	703-48271-00	.ARM, SHIFT		1		
61	703-48211-01	.HOUSING,1		1		
62	703-48232-00	.GEAR		1		
63	93430-06024	.CIRCLIP		2		
64	703-82542-00	.CAP		1		
65	703-48218-00	.GRAPHIC		1		

FIG. 27 METER

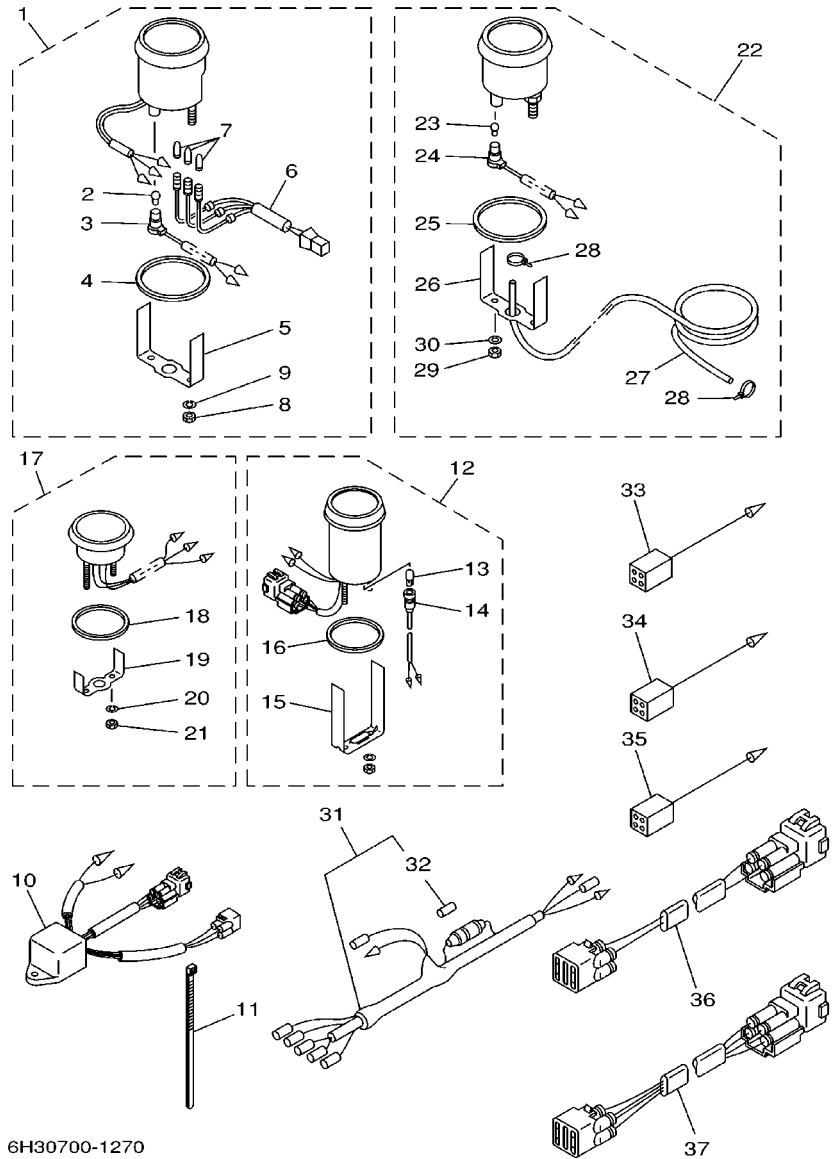


6H30700-1270

REF. NO.	PART NO.	DESCRIPTION	60ET	6ETO	7ETO	REMARKS
1	6Y5-83540-05	TACHOMETER ASSY		1	1	AP WITH OIL LAMP
	6Y5-83540-14	TACHOMETER ASSY	1			AP WITHOUT OIL LAMP
2	6Y5-83517-00	.BULB (12V-1.7W, T10)	1	1	1	
3	6Y5-83536-10	.SOCKET, METER	1	1	1	
4	6Y5-83523-00	.DAMPER	1	1	1	
5	6Y5-83514-00	.PLATE, FITTING	1	1	1	
6	6Y5-83509-03	.SOCKET CORD ASSY		1	1	FOR OIL LAMP
7	6Y5-83518-00	.BULB (12V-1.7W, T6.5)		3	3	FOR OIL LAMP
8	95303-05600	.NUT	2	2	2	
9	92903-05100	.WASHER, SPRING	2	2	2	
10	6Y5-81950-02	RELAY ASSY		1	1	AP FOR OIL LAMP
11	90465-13M18	CLAMP		1	1	AP FOR OIL LAMP
12	6Y5-83670-12	TRIM METER ASSY.	1	1	1	AP
13	6Y5-83518-00	.BULB (12V-1.7W, T6.5)	1	1	1	
14	6Y5-83536-00	.SOCKET, METER	1	1	1	
15	6Y5-83544-00	.PLATE, FITTING	1	1	1	
16	688-83664-00	.DAMPER	1	1	1	
17	6Y5-83504-11	HOUR METER ASSY		1	1	AP
18	6Y5-8353J-H0	.GASKET, UPPER		1	1	
19	6Y5-8355X-H0	.BRACKET, METER 1		1	1	
20	92990-04100	.WASHER, SPRING	2	2		
21	95380-04600	.NUT	2	2		
22	6Y5-83510-10	SPEEDOMETER ASSY (50MPH)		1	1	AP
23	6Y5-83517-00	.BULB (12V-1.7W, T10)		1	1	
24	6Y5-83536-10	.SOCKET, METER		1	1	
25	6Y5-83523-00	.DAMPER	1	1		
26	6Y5-83514-00	.PLATE, FITTING	1	1		



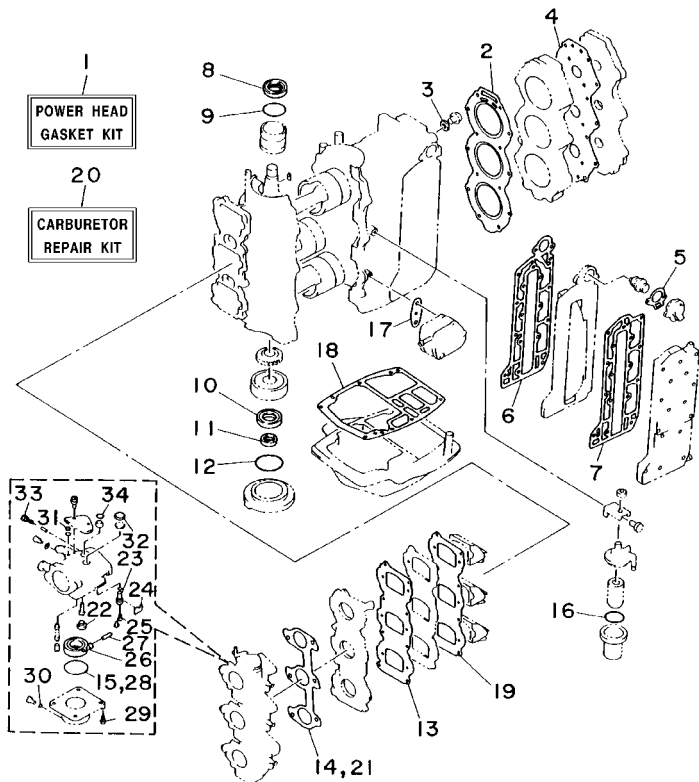
FIG. 27 METER



6H30700-1270

REF. NO.	PART NO.	DESCRIPTION	60ET	6ETO	7ETO	REMARKS
27	688-83557-00	.TUBE		1	1	
28	90465-11M10	.CLAMP		2	2	
29	95303-05600	.NUT		2	2	
30	92903-05100	.WASHER, SPRING		2	2	
31	6Y5-83553-00	WIRE, LEAD	1	1	1	AP
32	1E6-82151-00	.FUSE (10A)	1	1	1	
33	6Y5-82117-00	WIRE, LEAD (BLACK)		3	3	AP
	6Y5-82117-00	WIRE, LEAD (BLACK)	1			AP
34	6Y5-82521-00	WIRE, LEAD (YELLOW)		1	1	AP
35	6Y5-82149-00	WIRE, LEAD (BLUE)		1	1	AP
36	6R3-82521-70	WIRE, LEAD		1	1	AP 7M
37	6R3-82553-70	EXTENSION, WIRE LEAD		1	1	AP 4P,7M

FIG. 28 REPAIR KIT 1



REF. NO.	PART NO.	DESCRIPTION	60ET	6ETO	7ETO	REMARKS
1	6H3-W0001-03	POWER HEAD GASKET KIT	1			MANUAL CHOKE
2	6H3-11181-A1	.GASKET, CYLINDER HEAD 1	1			
3	90430-14115	.GASKET	1			
4	6H3-11193-A1	.GASKET, HEAD COVER 1	1			
5	6H3-12414-A1	.GASKET, COVER	1			
6	6H3-41112-A0	.GASKET, EXHAUST INNER COVER	1			
7	6H3-41114-A0	.GASKET, EXHAUST OUTER COVER	1			
8	93102-36M24	.OIL SEAL	1			
9	93210-46M16	.O-RING	1			
10	93102-30M23	.OIL SEAL	1			
11	93106-18M01	.OIL SEAL	1			
12	93210-65M50	.O-RING	1			
13	6H3-13621-A1	.GASKET, VALVE SEAT	1			
14	6H3-14198-A1	.GASKET	3			
15	6G1-14984-00	.O-RING	3			
16	93210-32738	.O-RING	1			
17	650-24431-A0	.GASKET, FUEL PUMP 1	1			
18	6H3-45113-A0	.GASKET, UPPER CASING	1			
19	6H3-13622-A1	.GASKET, VALVE SEAT	1			
20	6H2-W0093-02	CARBURETOR REPAIR KIT	1			MANUAL CHOKE
21	6H3-14198-A1	.GASKET	1			
22	676-14966-00	.CAP	3			
23	6H3-14590-00	.NEEDLE VALVE ASSY	3			
24	663-14159-00	.CLIP	3			
25	676-14186-00	.PIN, FLOAT	3			
26	6G1-14985-00	.FLOAT	3			
27	688-14548-00	.PIN, FLOAT ARM	3			

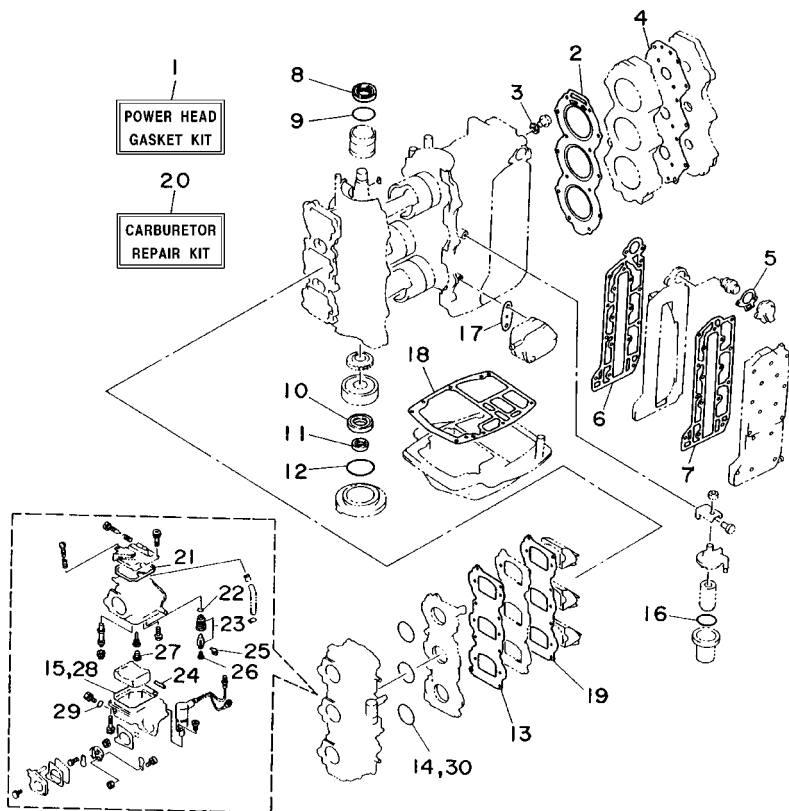


6H20010-4180



FIG. 29 REPAIR KIT 2

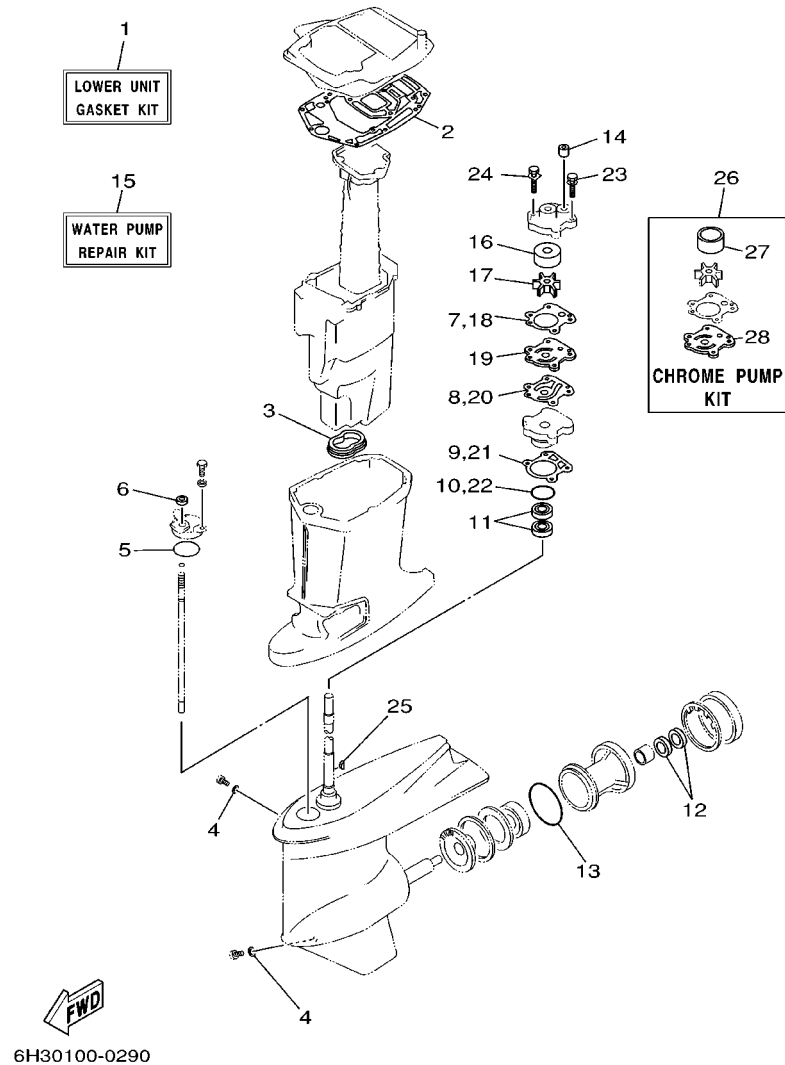
REF. NO.	PART NO.	DESCRIPTION	60ET	6ET0	7ET0	REMARKS
1	6H3-W0001-02	POWER HEAD GASKET KIT		1	1	AUTO CHOKE
2	6H3-11181-A1	.GASKET, CYLINDER HEAD 1		1	1	
3	90430-14115	.GASKET		1	1	
4	6H3-11193-A1	.GASKET, HEAD COVER 1		1	1	
5	6H3-12414-A1	.GASKET, COVER		1	1	
6	6H3-41112-A0	.GASKET, EXHAUST INNER COVER		1	1	
7	6H3-41114-A0	.GASKET, EXHAUST OUTER COVER		1	1	
8	93102-36M24	.OIL SEAL		1	1	
9	93210-46M16	.O-RING		1	1	
10	93102-30M23	.OIL SEAL		1	1	
11	93106-18M01	.OIL SEAL		1	1	
12	93210-65M50	.O-RING		1	1	
13	6H3-13621-A1	.GASKET, VALVE SEAT		1	1	
14	93210-39ME4	.O-RING		3	3	
15	6H4-14984-00	.GASKET, FLOAT CHAMBER		3	3	
16	93210-32738	.O-RING		1	1	
17	650-24431-A0	.GASKET, FUEL PUMP 1		1	1	
18	6H3-45113-A0	.GASKET, UPPER CASING		1	1	
19	6H3-13622-A1	.GASKET, VALVE SEAT		1	1	
20	6H2-W0093-10	CARBURETOR REPAIR KIT		1	1	AUTO CHOKE
21	6H4-14147-00	.O-RING		1	1	
22	93210-04228	.O-RING		1	1	
23	6H3-14590-00	.NEEDLE VALVE ASSY		1	1	
24	6H4-14548-00	.PIN, FLOAT ARM		1	1	
25	663-14159-00	.CLIP		1	1	
26	676-14186-00	.PIN, FLOAT		1	1	
27	676-14966-00	.CAP		1	1	



6H30010-4230



FIG. 30 REPAIR KIT 3



REF. NO.	PART NO.	DESCRIPTION	60ET	6ETO	7ETO	REMARKS
1	6H3-W0001-22	LOWER UNIT GASKET KIT		1	1	
2	6H3-45114-A1	.GASKET, UPPER CASING		1	1	
3	6H3-45123-00	.GASKET, MUFFLER		1	1	
4	90430-08020	.GASKET		2	2	
5	93210-49046	.O-RING		1	1	
6	93106-09014	.OIL SEAL		1	1	
7	6H3-44315-A0	.GASKET, WATER PUMP		1	1	
8	6H3-44324-A0	.GASKET, CARTRIDGE		1	1	
9	688-44316-A0	.GASKET, WATER PUMP		1	1	
10	93210-46044	.O-RING		1	1	
11	93101-23070	.OIL SEAL		2	2	
12	93101-25M03	.OIL SEAL		2	2	
13	93210-85M97	.O-RING		1	1	
14	663-44366-00	.DAMPER, WATER SEAL		1	1	
15	6H3-W0078-02	WATER PUMP REPAIR KIT		1	1	
16	663-44322-00	.INSERT, CARTRIDGE		1	1	
17	6H3-44352-00	.IMPELLER		1	1	
18	6H3-44315-A0	.GASKET, WATER PUMP		1	1	
19	6H3-44323-00	.OUTER PLATE, CARTRIDGE		1	1	
20	6H3-44324-A0	.GASKET, CARTRIDGE		1	1	
21	688-44316-A0	.GASKET, WATER PUMP		1	1	
22	93210-46044	.O-RING		1	1	
23	90119-08M14	.BOLT, WITH WASHER		2	2	
24	90119-08M33	.BOLT, WITH WASHER		2	2	
25	90280-03M03	.KEY, WOODRUFF		1	1	
26	6H3-W0078-1A	CHROME PUMP KIT		1	1	
27	663-44322-40	.INSERT, CARTRIDGE		1	1	



NUMERICAL INDEX

PARTNO.	REF. NO.	PARTNO.	REF. NO.	PARTNO.	REF. NO.	PARTNO.	REF. NO.	PARTNO.	REF. NO.	PARTNO.	REF. NO.
6H3-W0001-02	29 - 1	6J8-13414-00	8 - 41	6A0-14325-00	9 - 25	676-14966-00	7 - 22	6E5-24367-01	13 - 37	6H3-41241-01	8 - 20
6H3-W0001-03	28 - 1	6H1-13435-00	8 - 42	6H3-14349-00	5 - 17		28 - 22	6E5-24378-00	8 - 55	6H3-41257-00	4 - 14
6H3-W0001-22	30 - 1	6H3-13436-00	1 - 18		7 - 32		29 - 27	650-24378-00	2 - 6	661-41262-02	4 - 15
688-W0004-00	4 - 2	6H3-13436-40	1 - 18	6H3-14380-00	7 - 33	6H2-14980-00	6 - 15	688-24378-00	9 - 32		4 - 18
	5 - 2	6H2-13610-00	4 - 1	6H3-14413-10	4 - 19	6H3-14980-10	7 - 28	692-24410-00	9 - 15	6H3-41271-00	4 - 16
6H3-W0070-30	1 - 17		5 - 1		5 - 19	6H4-14980-00	7 - 27	6H3-24411-10	7 - 40	689-41273-00	4 - 17
6H3-W0078-02	30 - 15	6H3-13610-00	5 - 1	6H3-14440-02	4 - 20	6G1-14984-00	6 - 14	663-24411-00	9 - 20	6H3-41631-00	14 - 4
6H3-W0078-1A	30 - 26	6H3-13621-A1	4 - 6		5 - 20		28 - 15	692-24411-00	9 - 17	6H3-41632-20	14 - 10
6H3-W0090-31-4D	2 - 1		5 - 7	6H3-14457-01	4 - 21		28 - 28	6A0-24412-02	9 - 26	6H3-41633-10	14 - 12
6H3-W0090-42-4D	2 - 1		28 - 13		5 - 21	6H4-14984-00	7 - 24	6A0-24413-00	9 - 16	6H3-41636-10-94	14 - 16
6H2-W0093-02	28 - 20		29 - 13	6H1-14485-00	5 - 6		29 - 15	6H4-24413-00	7 - 38	689-42169-01	14 - 1
6H2-W0093-10	29 - 20	6H3-13622-A1	4 - 8	624-14485-00	2 - 5		29 - 28	6A0-24421-01	9 - 24		14 - 20
656-W2810-02	9 - 38		5 - 9	63V-14523-00	6 - 29	6G1-14985-00	6 - 12	6L5-24421-00	7 - 37	6H3-42510-12-4D	16 - 3
6H3-11111-01-94	2 - 26		28 - 19		7 - 5		28 - 26	650-24431-A0	9 - 27	624-42542-00	8 - 48
688-11119-00	2 - 22		29 - 19	6H2-14527-01	6 - 23	6H4-14985-01	7 - 19		28 - 17	6H2-42610-33-4D	1 - 1
6H3-11181-A1	2 - 27	6H3-13624-00-94	4 - 7	663-14527-00	6 - 20	6H3-14992-00	6 - 17		29 - 17	6H2-42610-46-4D	1 - 1
	28 - 2		5 - 8	688-14527-00	6 - 22		7 - 25	6H3-24434-10	7 - 41	6H3-42610-30-4D	1 - 1
	29 - 2	6H3-13641-03-94	4 - 5	6H4-14548-00	7 - 15	6B0-15100-01-94	2 - 2	648-24434-01	9 - 18	6H3-42613-01-4D	1 - 11
6H3-11191-00-9M	2 - 28	6H3-13641-13-94	5 - 5	679-14555-00	6 - 26	6H3-15100-13-94	2 - 2	648-24435-02	9 - 21	6H3-42615-00	1 - 14
6H3-11193-A1	2 - 29	663-14126-00	6 - 19	697-14555-00	7 - 12	6H3-15359-00-94	3 - 1	6H3-24452-10	7 - 29	6H3-42617-00	1 - 19
	28 - 4		28 - 31	688-14548-00	6 - 13	6H3-17578-00	6 - 31	6H4-24486-00	7 - 39	6H3-42617-10	1 - 19
	29 - 4	688-14126-00	6 - 21		28 - 27	6H3-21707-06	8 - 26	61N-24521-00	9 - 8	6H3-42619-00	1 - 20
6H3-11325-01	2 - 17		28 - 32	679-14555-00	7 - 12	6H3-21732-00	1 - 24	61N-24560-00	9 - 6	6H3-42627-00	1 - 21
6H3-11327-00-94	2 - 18	6H3-14137-00	7 - 31	6H4-14567-00	7 - 30	6H3-21735-00	1 - 25	61N-24563-00	9 - 7	6H3-42637-00	1 - 22
6H3-11328-00	2 - 19	6H3-14146-10	7 - 9	6H2-14578-00	7 - 7	6J8-21744-00	8 - 53	648-24566-02	9 - 10	6H3-42647-00-94	1 - 3
650-11370-00	2 - 4	6H4-14146-00	7 - 8	6H3-14578-00	6 - 32	63D-2175R-00	8 - 35	6YJ-24610-01	22 - 2	6H3-42649-00-94	1 - 4
688-11370-00	2 - 3	6H4-14147-00	7 - 10	6H3-14590-00	6 - 8	6H3-21752-00	8 - 32	6H1-24633-00	8 - 39	6H3-42652-00	1 - 6
6H3-11400-03	3 - 7		29 - 21		7 - 14	6H1-21757-00	8 - 38	6E0-28193-00-94	9 - 39	663-42662-00	1 - 5
6H3-11400-11	3 - 7	663-14159-00	6 - 9		28 - 23	6J8-21758-00	8 - 37	6H3-41111-01-9M	2 - 38	6H2-42677-30	1 - 15
6H3-11536-00	3 - 12		7 - 17		29 - 23	63D-2176M-00	8 - 34	6H3-41112-A0	2 - 39	6H3-42677-30	1 - 15
6H3-11537-01	8 - 16		28 - 24	6K5-14592-00	6 - 27	6H1-21766-01	8 - 44		28 - 6	6H2-42678-30	1 - 16
6K5-11601-02	3 - 15		29 - 25	6H3-14711-10-5B	18 - 14	63D-2177H-00	1 - 2		29 - 6	6H3-42678-30	1 - 16
6K5-11601-12	3 - 15	676-14186-00	6 - 10	6H3-14737-10	18 - 20	6H4-21770-00	8 - 36	6H3-41113-02-9M	2 - 40	6H3-42681-30	1 - 28
6K5-11601-22	3 - 15		7 - 18	692-14923-00	6 - 25	6YJ-24167-00	22 - 7	6H3-41114-A0	2 - 41	6H3-42682-30	1 - 29
6H3-11631-01-96	3 - 14		28 - 25		7 - 11	6YJ-24201-10	22 - 1		28 - 7	6H1-42694-00	1 - 23
6H3-11633-00	3 - 16		29 - 26		28 - 33	6Y1-24260-12	22 - 3		29 - 7	6H3-42711-05-4D	13 - 1
688-11634-10	3 - 17	6H3-14198-A1	4 - 12	6H3-14943-35	7 - 21	6Y1-24268-00	22 - 6	6H2-41131-00-5B	18 - 11	6H3-42711-24-4D	13 - 1
6H3-11635-01	3 - 14		28 - 14	6H3-14943-36	7 - 21	6G1-24304-02	9 - 1	6H3-41131-00-5B	18 - 11	648-42715-00	14 - 28
6H3-11636-01	3 - 14		28 - 21	6H3-14943-37	7 - 21	6G1-24305-03	22 - 13	6H3-41137-01-94	18 - 5	6H3-42716-02	13 - 12
6H3-12411-10	2 - 33	6H2-14301-0A	7 - 1	676-14943-35	6 - 5	6Y1-24305-04	22 - 15	6H3-41213-10	14 - 23	6K5-42717-00	13 - 13
6H3-12413-00-9M	2 - 34	6H2-14301-10	6 - 1	676-14943-36	6 - 5	61J-24306-02	22 - 8	6H3-41217-00	4 - 13	6H3-42718-00	13 - 39
6H3-12414-A1	2 - 35	6H3-14301-0A	7 - 1	6H2-14947-71	7 - 20	663-24312-01	2 - 44		5 - 14	6E5-42724-00	13 - 14
	28 - 5	6H2-14302-0A	7 - 2	6H3-14947-07	6 - 4	6H3-24313-00	9 - 33	6E9-41237-00	8 - 25	6H3-42725-10	13 - 15
	29 - 5	6H2-14302-10	6 - 2	6H3-14947-71	7 - 20	6H3-24314-00	9 - 35	6F5-41237-00	14 - 15	688-42726-10	13 - 27
6H1-13117-01	8 - 18	6H3-14302-0A	7 - 2	6H3-14948-13	7 - 23	6Y1-24329-00	22 - 5	6H1-41237-00	8 - 21	6H3-42727-00	13 - 19
6E9-13183-70	8 - 11	6H2-14303-0A	7 - 3	6H3-14948-16	6 - 6	650-24351-51	22 - 12		14 - 14	6H3-42738-01-5B	13 - 16
6H3-13200-02	8 - 1	6H2-14303-10	6 - 3	6H3-14948-17	7 - 23	61J-24360-00	22 - 10	6H4-41237-00	14 - 21	6H3-42741-01-4D	13 - 31
6J8-13411-00	8 - 40	6H3-14303-0A	7 - 3	676-14966-00	6 - 7	6E5-24367-01	13 - 24	682-41237-00	14 - 2	6G1-42748-00	13 - 30



NUMERICAL INDEX

PARTNO.	REF. NO.	PARTNO.	REF. NO.	PARTNO.	REF. NO.	PARTNO.	REF. NO.	PARTNO.	REF. NO.	PARTNO.	REF. NO.
6H3-42768-00	13 - 23	6H1-4384F-10	17 - 46	6H3-44315-A0	19 - 27	6H3-45123-00	18 - 16	688-45567-01-30	20 - 7	6H1-45668-00	20 - 49
6H3-42771-01-4D	13 - 32	6H1-4384G-11	17 - 45		20 - 27		30 - 3	688-45567-01-40	19 - 7	688-45930-02-98	21 - 22
6H3-42813-00	13 - 7	6H1-43840-11	17 - 17		30 - 7	6H3-45127-00	18 - 15		20 - 7	688-45932-60-98	21 - 22
6H3-42815-01-4D	13 - 3	6H1-43841-11	17 - 42		30 - 18	6H3-45155-00	18 - 3	688-45567-01-50	19 - 7	6E5-45941-00-EL	21 - 22
6H3-42816-00	13 - 9	6H1-43843-11	17 - 72	688-44316-A0	19 - 33	688-45211-01-4D	18 - 21		20 - 7	6E5-45943-00-EL	21 - 22
6H3-42817-01-4D	13 - 4	6H1-43844-10	17 - 44		20 - 33	6H1-45214-00	19 - 12	6H3-45571-00	20 - 62	6E5-45945-01-EL	21 - 22
6H3-42818-00	13 - 10	6H1-43845-00	17 - 55		30 - 9		20 - 12	6K5-45571-00	19 - 54	6E5-45947-00-EL	21 - 22
6H1-43111-01-4D	15 - 1	6H1-43847-00	17 - 50		30 - 21	6H1-45215-00	19 - 13	688-45576-00	19 - 58	6E5-45949-00-EL	21 - 22
6H1-43112-00-4D	15 - 11	6H1-4385H-00	17 - 78	663-44322-00	19 - 26		20 - 13		20 - 66	6E5-45952-00-EL	21 - 22
6E5-43126-02	15 - 35	6H1-43854-00	17 - 53		20 - 26	6H1-45251-03	15 - 2	688-45577-01-10	19 - 57	6E5-45954-00-EL	21 - 22
688-43131-03	15 - 21	6H1-43855-11	17 - 71		30 - 16	6H3-45300-E4-4D	19 - 1		20 - 65	6E5-45956-00-EL	21 - 22
6G5-43144-00	15 - 42	6H1-43856-10	17 - 43	663-44322-40	30 - 27	6H3-45300-15-4D	20 - 1	688-45577-01-12	19 - 57	6E5-45970-10	21 - 23
6E5-43145-01	23 - 9	6H1-4386K-10	17 - 9	6H3-44323-00	19 - 34	6H1-45301-03-4D	20 - 2		20 - 65	688-45970-03-98	21 - 22
6G5-43145-00	15 - 25	6H1-43861-00	17 - 21		20 - 34	6H1-45301-12-4D	19 - 2	688-45577-01-15	19 - 57	6E5-45972-10	21 - 23
6G5-43148-00	15 - 40	6H1-43861-10	17 - 18		30 - 19	688-45321-00	19 - 16		20 - 65	688-45972-02-98	21 - 22
688-43160-01	15 - 31		17 - 22	6H3-44323-40	30 - 28		20 - 16	688-45577-01-18	19 - 57	6E5-45974-10	21 - 23
688-43165-00	15 - 33		17 - 60	6H3-44324-A0	19 - 35	688-45331-00-94	19 - 55		20 - 65	688-45974-02-98	21 - 22
6H1-43181-01	15 - 26	6H1-43864-00	17 - 65		20 - 35		20 - 63	688-45577-01-30	19 - 57	6E5-45976-10	21 - 23
6H1-43185-01	15 - 27	6H1-43865-10	17 - 16		30 - 8	688-45341-00	19 - 10		20 - 65	688-45976-01-98	21 - 22
6H1-43311-01-4D	15 - 16	6H1-43866-00	17 - 40		30 - 20		20 - 10	688-45577-01-40	19 - 57	6E5-45978-10	21 - 23
6H1-43376-00	16 - 39	6H1-43867-00	17 - 41	6H3-44341-00-94	19 - 30	6E5-45371-10	21 - 25		20 - 65	688-45978-60-98	21 - 22
6H1-4380F-10	17 - 7	6H1-43868-00	17 - 74		20 - 30	688-45371-02	21 - 12	688-45577-01-50	19 - 57	688-45987-01	21 - 17
6H1-4380G-10	17 - 15	6H1-4387J-00	17 - 77		19 - 28	688-45375-00	21 - 11		20 - 65	6E5-45994-10	21 - 24
6H1-4380H-10	17 - 13	6H1-43871-10	17 - 23	6H3-44352-00	20 - 28	663-45376-00-94	21 - 10	688-45587-01-10	19 - 5	688-45997-01	21 - 18
6H1-4380J-10	17 - 8	6H1-43872-10	17 - 25		30 - 17	6E5-45378-00	19 - 21		20 - 5	703-48152-00	25 - 57
6H1-43800-15-4D	17 - 1	6H1-43874-00	17 - 67		21 - 2		20 - 21	688-45587-01-12	19 - 5		26 - 57
6T4-43802-03	17 - 39	6H1-43875-00	17 - 57	6H3-44361-10	21 - 2	688-45383-02	19 - 63		20 - 5	703-48153-00	25 - 3
6H1-43804-10	17 - 4	6H1-4388E-11	17 - 73	663-44366-00	21 - 16		20 - 71	688-45587-01-15	19 - 5		26 - 3
6H1-43805-10	17 - 3	6H1-43880-02	17 - 2		30 - 14	688-45384-00	19 - 64		20 - 5	703-48189-00	25 - 17
6H1-43810-11	17 - 20	6H1-43881-10	17 - 12	663-44367-00	21 - 1		20 - 72	688-45587-01-18	19 - 5		26 - 17
6H1-43812-00	17 - 24	6H1-43891-10	17 - 5	6H3-44391-01	13 - 2	6H3-45501-10	19 - 39		20 - 5	703-48198-00	25 - 14
6H1-43813-10	17 - 27	6H1-43892-10	17 - 6	688-44511-00-94	16 - 33		20 - 39	688-45587-01-30	19 - 5		26 - 14
6H1-43814-11	17 - 19	6H1-43895-11	17 - 70	688-44514-00-94	16 - 26	6H3-45501-20	20 - 39		20 - 5	703-48205-A3	24 - 1
6H1-43816-00	17 - 68	6H1-43896-00	17 - 69	6H1-44526-00	15 - 3	688-45536-01	19 - 4	688-45587-01-40	19 - 5		26 - 1
6H1-43817-01	17 - 47	6H1-43899-00	17 - 51	6H3-44551-01-4D	16 - 9		20 - 4		20 - 5	703-48205-16	24 - 1
6E5-43818-00	17 - 32	6H3-44117-00-94	14 - 31	6H3-44552-03-94	16 - 18	6K5-45551-00	19 - 40	688-45587-01-50	19 - 5		25 - 1
6H1-4382A-10	17 - 52	6J2-44117-01-94	14 - 31	6H3-44553-01-4D	16 - 23		20 - 40		20 - 5	703-48211-01	25 - 61
6H1-43820-11	17 - 64	6H3-44120-12	14 - 27	687-44555-00-94	16 - 11	6K5-45560-00	19 - 42	6H1-45611-01	20 - 43		26 - 61
6H1-43821-11	17 - 59	6H3-44120-22	14 - 27	688-44555-00-94	16 - 11		20 - 42	688-45611-00	19 - 43	703-48212-00	25 - 58
6H1-43822-10	17 - 58	6H3-44121-01	14 - 37	663-44575-00	16 - 16	688-45567-01-10	19 - 7	6H1-45631-01	20 - 44		26 - 58
6H1-43828-10	17 - 30	688-44122-00	14 - 40		16 - 32		20 - 7	688-45631-01	19 - 44	703-48213-00	25 - 59
6H1-43829-00	17 - 36	6H1-44144-00	20 - 58	6H3-45111-11-4D	18 - 1	688-45567-01-12	19 - 7	688-45633-00	19 - 49		26 - 59
6H1-43830-11	17 - 49	6K5-44144-00	19 - 51	6H3-45113-A0	18 - 7		20 - 7		20 - 55	703-48215-00	25 - 43
6H1-43831-10	17 - 48	6H1-44151-00	20 - 57		28 - 18	688-45567-01-15	19 - 7	6H1-45634-02	20 - 46		26 - 43
6H1-43833-10	17 - 33	663-44151-00	19 - 50		29 - 18		20 - 7	688-45634-00	19 - 45	703-48218-00	26 - 65
6H1-43834-00	17 - 34	688-44194-00	14 - 7	6H3-45114-A1	18 - 17	688-45567-01-18	19 - 7	6H1-45635-00	20 - 50	703-48219-00	25 - 30
6H1-43835-10	17 - 29	6H3-44311-00	19 - 25		30 - 2		20 - 7	688-45635-00	19 - 47		26 - 30
6H1-4384E-20	17 - 61		20 - 25	663-45119-00	15 - 18	688-45567-01-30	19 - 7	6H1-45641-01	20 - 56	703-48221-00	25 - 56

NUMERICAL INDEX

PARTNO.	REF. NO.	PARTNO.	REF. NO.	PARTNO.	REF. NO.	PARTNO.	REF. NO.	PARTNO.	REF. NO.	PARTNO.	REF. NO.
703-48221-00	26 - 56	703-48284-00	26 - 52	6H3-82105-01	11 - 29	703-82594-00	26 - 25	90109-06M40	8 - 4	90201-05652	6 - 28
703-48222-00	25 - 27	701-48287-00	25 - 42	6H3-82117-00	11 - 30	703-83383-A0	26 - 51	90109-06M43	14 - 13	90201-08M93	8 - 17
	26 - 27		25 - 42	6Y5-82117-00	27 - 33	703-83383-02	25 - 51	90109-12M21	16 - 15	90201-10M20	23 - 3
703-48223-00	25 - 28	703-48291-10	25 - 39	682-82119-01	11 - 52	6Y5-83504-11	27 - 17	90116-08M69	2 - 31	90201-10M63	23 - 7
	26 - 28		26 - 39	703-82119-00	11 - 6	6Y5-83509-03	27 - 6	90116-10M05	18 - 24	90201-11M22	16 - 30
703-48225-00	25 - 29	703-48293-10	25 - 41		16 - 42	6Y5-83510-10	27 - 22	90116-10175	16 - 37	90201-12M16	16 - 12
	26 - 29		26 - 41	688-82127-02	16 - 25	6Y5-83514-00	27 - 5	90119-06M09	13 - 11	90201-12A26	15 - 46
703-48226-00	25 - 26	701-48320-00	24 - 2	6E5-82148-00	15 - 12		27 - 26	90119-06M29	15 - 4	90201-13M19	16 - 14
	26 - 26	701-48320-20	24 - 2	6H1-82148-00	15 - 8	6Y5-83517-00	27 - 2	90119-06M61	13 - 22	90201-17M00	21 - 19
703-48227-00	25 - 24	701-48320-30	24 - 2	6Y5-82149-00	27 - 35		27 - 23	90119-06M65	8 - 49	90201-20M21	16 - 28
	26 - 24	701-48320-50	24 - 2	1E6-82151-00	27 - 32	6Y5-83518-00	27 - 7	90119-06M88	8 - 50	90201-20A17	3 - 19
703-48232-00	25 - 62	701-48320-60	24 - 2	682-82151-00	11 - 32		27 - 13	90119-08M09	2 - 30	90201-21M18	10 - 14
	26 - 62	701-48320-80	24 - 2	6G5-82152-00	11 - 17	6Y5-83523-00	27 - 4	90119-08M14	19 - 38	90201-22M67	15 - 23
703-48234-00	25 - 18	6H3-48344-00	14 - 18	6H3-82154-11	11 - 49		27 - 25		20 - 38	90201-30M00	16 - 4
	26 - 18	663-48344-00	14 - 41	6H3-82164-00	11 - 27	6Y5-8353J-H0	27 - 18		30 - 23	90202-05088	8 - 22
703-48235-00	25 - 4	703-48345-01	25 - 19	6A0-82317-00	8 - 47	6Y5-83536-00	27 - 14	90119-08M17	2 - 9	90202-07M07	14 - 39
	26 - 4		26 - 19	6G1-82370-21	11 - 23	6Y5-83536-10	27 - 3	90119-08M33	19 - 37	90202-12060	21 - 3
703-48236-00	25 - 16	703-48358-00	25 - 20	703-82510-11	26 - 44		27 - 24		20 - 37	90202-20M06	16 - 29
	26 - 16		26 - 20	703-82510-42	25 - 44	6Y5-83540-05	27 - 1		30 - 24	90202-25M04	16 - 13
703-48238-00	25 - 22	6H3-48511-51-4D	16 - 36	6R3-82521-70	27 - 36	6Y5-83540-14	27 - 1	90119-08M79	18 - 8	90206-10M04	14 - 24
	26 - 22	6H3-48538-00	14 - 42	6Y5-82521-00	27 - 34	6Y5-83544-00	27 - 15	90119-08M81	18 - 4	90206-13M10	13 - 6
703-48243-00	25 - 15	688-61350-10	23 - 1	703-82531-00	25 - 46	6Y5-8355X-H0	27 - 19	90119-08M84	21 - 9	90209-06M05	4 - 23
	26 - 15	688-61351-10	23 - 2		26 - 46	6Y5-83553-00	27 - 31	90119-08M86	18 - 25		5 - 23
703-48244-00	25 - 21	6E5-61355-00	23 - 8	703-82540-00	25 - 50	688-83557-00	27 - 27	90119-10M07	2 - 8	90249-06M19	15 - 39
	26 - 21	6E5-81332-00	10 - 15		26 - 50	6E5-83558-00	21 - 15	90151-05M00	19 - 14	90250-07M02	19 - 48
703-48245-00	25 - 11	6H3-81337-01	10 - 18	703-82542-00	26 - 64	6E5-83558-10	19 - 23		20 - 14		20 - 54
	26 - 11	6H3-81800-11	12 - 1	6R3-82553-70	27 - 37		20 - 23	90157-06M01	13 - 25	90266-06009	1 - 10
703-48246-00	25 - 23	6H3-81807-10	12 - 3	682-82556-00	25 - 48	6E5-83614-01	11 - 55		13 - 29	90269-04M03	13 - 8
	26 - 23	689-81809-11	12 - 7		26 - 48	688-83664-00	27 - 16	90157-06M13	14 - 5	90280-03M03	19 - 29
701-48248-00	25 - 13	6H3-81810-10	12 - 9	688-82560-10	11 - 38	6Y5-83670-12	27 - 12	90159-06M01	11 - 16		20 - 29
	26 - 13	689-81811-11	12 - 12	6H1-82563-10	11 - 53	6H1-83672-12	16 - 1	90159-06M23	10 - 19		30 - 25
703-48252-00	25 - 12	689-81812-11	12 - 11	703-82563-02	25 - 55	6H2-85520-01	10 - 2	90170-09M03	23 - 5	90280-05015	10 - 12
	26 - 12	689-81813-10	12 - 13		26 - 55	6H2-85533-01	10 - 3	90170-16M01	19 - 41	90282-04010	19 - 62
703-48261-01	25 - 2	6H3-81820-11	12 - 14	688-82575-01	25 - 47	6H2-85540-10	11 - 5		20 - 41		20 - 70
	26 - 2	689-81826-10	12 - 15		26 - 47	6H3-85542-11-94	11 - 1	90170-20137	10 - 13	90338-05M03	1 - 26
703-48264-00	25 - 6	6H3-81830-10	12 - 4	676-82577-00	25 - 45	6H2-85550-00	10 - 1	90171-16011	21 - 20		15 - 20
	26 - 6	689-81831-00	12 - 5		26 - 45	697-85570-00	11 - 20	90179-06066	16 - 22	90340-08M04	19 - 9
703-48265-00	25 - 9	689-81840-11	12 - 10	688-8258A-20	25 - 49	6H2-85580-01	10 - 4	90179-08M34	2 - 32		20 - 9
	26 - 9	689-81847-11	12 - 6		26 - 49	6H2-85582-00	10 - 5	90183-02M03	20 - 53	90340-14M00	2 - 24
703-48268-00	25 - 5	689-81850-12	12 - 8	6R5-82582-B0	8 - 61	6H3-85720-16	8 - 60	90183-05M06	1 - 27	90386-07M58	14 - 34
	26 - 5	689-81857-11	12 - 2	6E5-82587-00	11 - 54	6H2-85895-01	10 - 6	90185-05002	19 - 15	90386-10M16	15 - 28
703-48271-00	25 - 60	6H3-81916-10	11 - 15	6H2-82590-13	11 - 31	6H3-86110-02	11 - 39		20 - 15	90386-13M38	13 - 5
	26 - 60	6H2-81949-01	11 - 51	6H2-82590-60	11 - 31	6H3-86116-00	11 - 40	90185-08057	16 - 40	90386-18M14	17 - 31
703-48281-00	25 - 31	6H2-81949-11	11 - 50	703-82591-00	25 - 53	90101-10M49	16 - 27	90185-09M01	23 - 4	90386-18M35	15 - 37
	26 - 31	6Y5-81950-02	27 - 10	703-82592-00	25 - 54	90101-12M65	15 - 44	90185-10051	16 - 31	90386-18M63	15 - 36
703-48282-00	25 - 32	61A-81950-00	11 - 46		26 - 54	90105-06M14	11 - 2		16 - 38	90386-22M15	15 - 22
	26 - 32	688-81950-10	11 - 24	688-82594-00	11 - 37	90105-10M67	21 - 13	90185-22043	15 - 24	90386-30M60	16 - 8
703-48284-00	25 - 52	6H2-81960-10	11 - 11	703-82594-00	25 - 25	90109-06M39	8 - 3	90201-03313	20 - 52	90386-30M77	16 - 6

NUMERICAL INDEX

PARTNO.	REF. NO.	PARTNO.	REF. NO.	PARTNO.	REF. NO.	PARTNO.	REF. NO.	PARTNO.	REF. NO.	PARTNO.	REF. NO.
90386-30M78	16 - 5	90464-11M23	8 - 58	91318-08016	17 - 66	92995-06600	11 - 13	93210-09165	17 - 37	93430-06024	25 - 63
90387-06M31	8 - 31	90464-13080	26 - 53	91490-20012	14 - 36		11 - 48	93210-10M74	17 - 54		26 - 10
90387-06M43	11 - 3	90464-15M11	11 - 28	91490-40025	21 - 21		13 - 18	93210-13M04	8 - 19		26 - 63
90387-06M60	14 - 8	90464-18M14	11 - 57	91690-30010	11 - 41		13 - 34	93210-15M52	6 - 33	93430-08006	19 - 53
	14 - 25	90464-23M22	11 - 18	91690-30012	15 - 32		13 - 36		28 - 34		20 - 60
90387-06M69	13 - 21	90465-06M86	8 - 10	91690-30020	15 - 30		15 - 7	93210-16275	23 - 10	93440-49M04	3 - 10
90387-10M02	15 - 29	90465-11M10	16 - 41	92901-04100	17 - 76		15 - 10	93210-18M75	17 - 56	93450-07M00	20 - 61
90387-10M42	23 - 6		19 - 24	92901-05200	17 - 63		19 - 20	93210-18397	17 - 26	93501-04M02	14 - 29
90430-08020	19 - 11		20 - 24	92903-05100	27 - 9		20 - 20	93210-19MA7	8 - 2	93503-16003	20 - 48
	20 - 11		27 - 28		27 - 30	92995-08100	16 - 20	93210-29M94	16 - 7	93505-32038	17 - 79
	30 - 4	90465-11M27	8 - 28	92903-06600	2 - 21		16 - 35	93210-32738	9 - 9	93603-12M11	20 - 45
90430-12072	21 - 4	90465-13M11	11 - 19		2 - 37		18 - 10		28 - 16	93603-18M09	3 - 18
90430-14115	2 - 25	90465-13M18	27 - 11		2 - 43		18 - 13		29 - 16	93604-10M03	19 - 36
	28 - 3	90465-13M30	8 - 33		4 - 10		18 - 19	93210-39ME4	5 - 13		20 - 36
	29 - 3	90465-18147	7 - 42		5 - 11	92995-10100	15 - 15		29 - 14	93606-12019	18 - 2
90440-14M00	15 - 48		11 - 45		7 - 44	92995-12200	15 - 45		29 - 30		18 - 6
90445-07MA5	8 - 8	90467-06016	2 - 11		11 - 10	93101-23070	19 - 31	93210-46M16	3 - 13		18 - 23
90445-07ME9	19 - 22		2 - 15		11 - 22		20 - 31		28 - 9		21 - 5
	20 - 22		5 - 16		11 - 26		30 - 11		29 - 9	93608-12063	2 - 7
90445-07MF1	21 - 14	90467-08004	2 - 45		11 - 34	93101-25M03	19 - 61	93210-46044	19 - 32	93700-06M03	15 - 17
90445-07MF2	20 - 22		5 - 18		11 - 36		20 - 69		20 - 32	94702-00247	2 - 46
90445-07M02	2 - 12		8 - 45		11 - 43		30 - 12		30 - 10	95303-05600	27 - 8
90445-07M23	8 - 7		9 - 5		12 - 19	93102-08M43	17 - 14		30 - 22		27 - 29
90445-07M44	2 - 10		9 - 14		14 - 33	93102-30M23	3 - 2	93210-49046	19 - 17	95380-03600	7 - 35
	8 - 6		9 - 31	92903-08600	12 - 17		28 - 10		20 - 17		9 - 19
	2 - 13		9 - 36		12 - 21		29 - 10		30 - 5	95380-04600	27 - 21
90445-07M82	2 - 14	90467-10M04	8 - 52	92990-04100	27 - 20	93102-36M24	3 - 9	93210-64488	17 - 28	95380-05600	8 - 24
90445-07M87	8 - 9	90467-11M08	8 - 29	92990-05100	9 - 23		28 - 8	93210-65M50	3 - 4		14 - 3
90445-07255	5 - 15		8 - 59	92990-05600	4 - 4		29 - 8		28 - 12		14 - 17
90445-08M01	8 - 43	90467-12M11	8 - 46		5 - 4	93106-09014	19 - 18		29 - 12		14 - 22
90445-09M75	9 - 4	90468-05M03	8 - 23	92990-06600	13 - 26		20 - 18	93210-85M97	19 - 59		25 - 7
90445-09072	9 - 13	90468-07M02	8 - 12		13 - 38		30 - 6		20 - 67		26 - 7
	9 - 30		8 - 13	92990-08200	14 - 35	93106-18M01	3 - 3		30 - 13	95380-06600	14 - 6
	9 - 34		8 - 14	92990-08600	25 - 34		28 - 11	93306-207U0	19 - 56		25 - 40
90445-09220	8 - 57	90468-18008	14 - 19		26 - 34		29 - 11		20 - 64		26 - 40
90445-11M02	8 - 27		14 - 38	92990-10100	21 - 7	93210-03261	11 - 44	93306-306V1	3 - 11	95380-08600	9 - 11
90445-11M03	22 - 11	90480-09M12	13 - 20	92990-10600	21 - 8	93210-04228	6 - 34	93311-636U6	3 - 8	95380-10600	18 - 22
90445-11M05	22 - 9	90480-13M54	11 - 4	92995-06100	1 - 8		7 - 13	93315-325V1	19 - 3	95380-12600	15 - 47
90445-11M06	8 - 54	90501-10326	6 - 30		15 - 6		29 - 22		20 - 3	95380-12800	16 - 17
90445-11M15	8 - 51		7 - 6	92995-06600	1 - 9	93210-04230	6 - 18	93317-325U0	19 - 60	97013-06012	7 - 43
90445-11M21	8 - 56	90501-12M48	20 - 51		1 - 13		7 - 26		20 - 68		11 - 9
90446-10M01	9 - 37	90501-12082	14 - 30		3 - 6		28 - 30	93332-000U3	19 - 6		11 - 33
	11 - 14	90501-14M08	16 - 21		9 - 3		29 - 29		20 - 6		11 - 35
90464-05M16	2 - 16	90501-16M65	20 - 47		9 - 29	93210-064A5	17 - 38	93332-000W7	19 - 8	97013-06014	9 - 12
90464-07M05	8 - 5	90501-16233	19 - 46		10 - 9	93210-07003	19 - 52		20 - 8	97013-06016	2 - 20
	8 - 15	90502-16M02	15 - 34		10 - 11		20 - 59	93410-18M02	15 - 38		11 - 25
90464-09M13	13 - 28	90506-14M24	15 - 41		10 - 17	93210-08287	22 - 14	93410-28M06	16 - 10		11 - 42
90464-11M18	15 - 19	90508-26M35	14 - 11		11 - 8		22 - 16	93430-06024	25 - 10	97013-06020	11 - 21

NUMERICAL INDEX

PARTNO.	REF. NO.	PARTNO.	REF. NO.	PARTNO.	REF. NO.	PARTNO.	REF. NO.	PARTNO.	REF. NO.	PARTNO.	REF. NO.
97013-06020	14 - 32	97880-05016	4 - 3								
97013-06025	2 - 36		5 - 3								
	4 - 9	97880-06012	15 - 13								
	5 - 10	97885-05016	17 - 10								
	12 - 18	97885-06010	10 - 16								
97013-06035	2 - 42	97885-06016	16 - 2								
97013-08016	12 - 20		16 - 24								
97013-08020	2 - 23	97885-06045	4 - 22								
97013-08035	12 - 16		5 - 22								
97075-08025	16 - 19	97980-04114	6 - 16								
97075-08030	18 - 12		7 - 4								
	18 - 18		28 - 29								
97075-08035	16 - 34	97980-05310	6 - 24								
	18 - 9	98501-04025	17 - 75								
97075-10040	21 - 6	98501-05010	17 - 62								
97095-05012	10 - 7	98502-04008	6 - 11								
97095-06010	15 - 9	98503-05028	9 - 22								
	15 - 43	98580-03015	25 - 38								
97095-06016	1 - 7		26 - 38								
	1 - 12	98580-04006	25 - 36								
	8 - 30		26 - 36								
	11 - 12	98580-04008	7 - 16								
	11 - 56	98580-04010	25 - 35								
	13 - 17		26 - 35								
	15 - 5	98580-05010	25 - 37								
	19 - 19		26 - 37								
	20 - 19	98586-05016	22 - 4								
97095-06020	3 - 5	98980-03006	7 - 36								
	13 - 35										
97095-06025	9 - 2										
	10 - 10										
	11 - 47										
	13 - 33										
	14 - 9										
	14 - 26										
97095-06035	10 - 8										
97095-06040	9 - 28										
97095-06045	11 - 7										
97095-06095	4 - 11										
	5 - 12										
97095-08030	25 - 33										
	26 - 33										
97095-10045	15 - 14										
97380-05025	25 - 8										
	26 - 8										
97595-06420	17 - 35										
97607-04310	17 - 11										
97803-04010	7 - 34										