

**PARTS  
CATALOGUE  
CATALOGO  
DE REPUESTOS**

**4AC '03 (6E02)**

**5C '03 (6E32)**

**5CS '03 (6E42)**

# FOREWORD

This Parts Catalogue is related to the parts for the model(s) in the below frame. When you are ordering replacement parts, please refer to this Parts Catalogue and quote both part numbers and part names correctly.

4AC'03(6E02), 5C'03(6E32), 5CS'03(6E42)

1. Modifications or additions which have been made after issue of the Parts Catalogue will be announced in the Yamaha Parts News.  
It is advisable that you make necessary corrections to the Parts Catalogue according to the Yamaha Parts News.

2. Abbreviations

The Following abbreviations are used in this Parts Catalogue.

“UR” Use specified parts number.

“UN” Use as many as needed.

“AP” Alternate Parts

“LM” Local Made  
(Parts need to be ordered locally)

“O/S” Over Size

3. Parts, which are to be supplied in an assembly, are listed with a dot(.) in front of the part name as shown below.

EXAMPLE

CARBURETOR ASSY

.JET, PILOT

.NOZZLE, MAIN

4. Number of component for assembly

The numeral appearing to the right of each component part indicates the quantity of parts for each assembly unit.

EXAMPLE

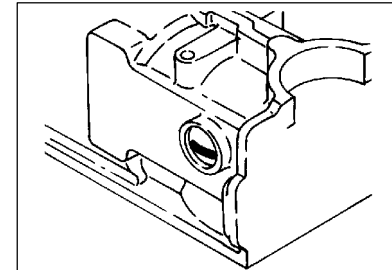
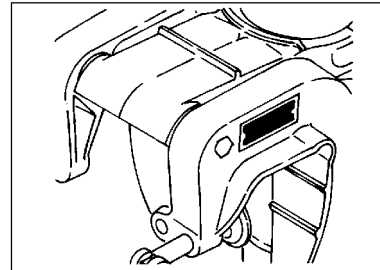
PART NO.	DESCRIPTION	QTY	UNIT	REMARKS
6E0-85500-70	C.D.I. MAGNETO ASSY	1		
6E0-85550-70	.ROTOR ASSY	1		
6E0-15723-00-94	.PULLY, STARTER	1		

5. Quantity Column Information

NAME for Q'TY COLUMN	APPLICABLE MODEL
4AC	4ACMH
5C	5CMH
5CS	5CSMH

6. Applicable Starting Serial No. and Color Code
  - 1) Engine Starting Serial No.

4ACMH S/L 6E0K : 1000001	5CMH S/L 6E3K : 1000001 5CSMH S/L 6E3K : 1000001
--------------------------	---



- 2) Color Code

Color Code	Color Name	Abbreviation
004D	DARK BLUISH GRAY METALLIC 2	DBNM2

7. Note that the illustrations for reference in finding parts numbers, not to be used for assembling. When assembling, please use the applicable service manual.
8. The asterisk (\*) before a reference number indicates modification items after the first edition.

# CONTENTS

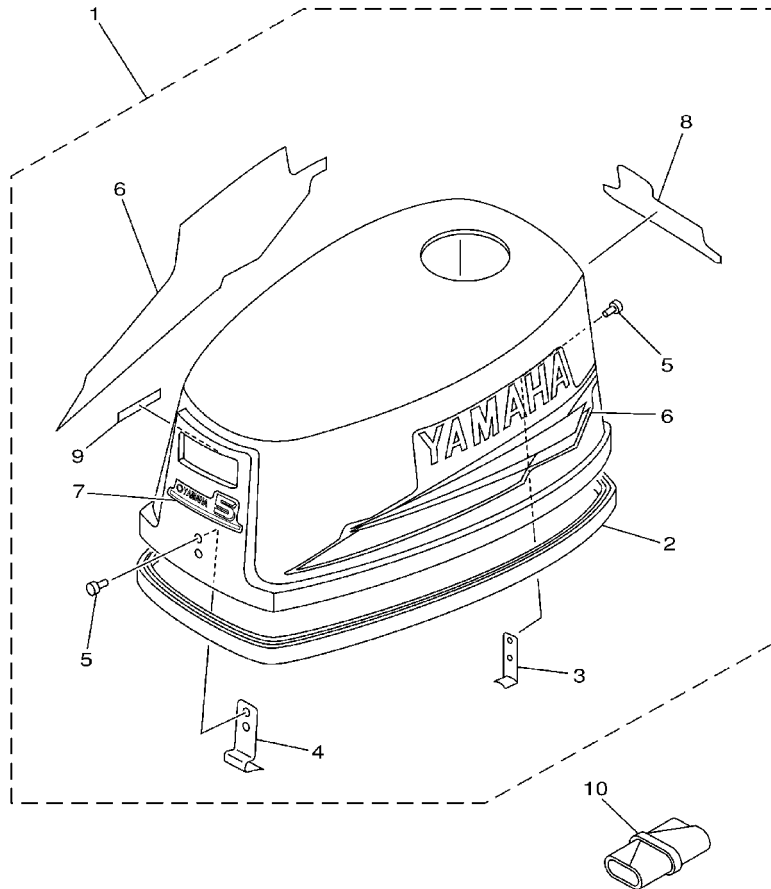
TOP COWLING .....	A4
CYLINDER. CRANKCASE .....	A5
INTAKE .....	B1
STARTER .....	B3
GENERATOR .....	B5
ELECTRICAL .....	B6
BOTTOM COWLING 1 .....	B7
BOTTOM COWLING 2 .....	C3
CONTROL .....	C4
UPPER CASING . BRACKET .....	C6
LOWER CASING. DRIVE .....	D2
FUEL TANK .....	D5
REPAIR KIT .....	D6

## INDEX

NUMERICAL INDEX .....	E1
-----------------------	----

FIG. 1 TOP COWLING

SOPORTE SUPERIOR



REF. NO.	PART NO. CODIGO NO.	DESCRIPTION DESCRIPTION	4AC	5C	5CS	REMARKS OBSERVACION
1	6E0-42610-40-4D	TOP COWLING ASSY SOPORTE SUPERIOR COMPL.	1			
	6E3-42610-40-4D	TOP COWLING ASSY SOPORTE SUPERIOR COMPL.		1		
	6E4-42610-30-4D	TOP COWLING ASSY SOPORTE SUPERIOR COMPL.			1	
2	6E0-42615-00	.SEAL .SELLO	1	1	1	
3	6E0-42647-01	.HOLDER, CLAMP BAND .MORDAZA DE ABRAZADERA	1	1	1	
4	6E0-42651-02	.HOOK .GANCHO	1	1	1	
5	90266-04M00	.RIVET .REMACHE	4	4	4	
6	6E0-W0070-14	.GRAPHIC SET .JUEGO DE EMBLEMA	1	1	1	
7	6E0-42677-20	.GRAPHIC, FRONT .CALCAMONIA FRONTAL	1			
	6E3-42677-20	.GRAPHIC, FRONT .CALCAMONIA FRONTAL		1	1	
8	6E0-42678-12	.GRAPHIC, REAR .CALCAMONIA TRASERA	1			
	6E3-42678-12	.GRAPHIC, REAR .CALCAMONIA TRASERA		1	1	
9	6E0-44191-11	.INDICATOR, SHIFT .INDICADOR DE CAMBIOS	1	1	1	
10	656-W2810-02	TOOL KIT JUEGO DE HERRAMIENTAS	1	1	1	



6E01010-2010

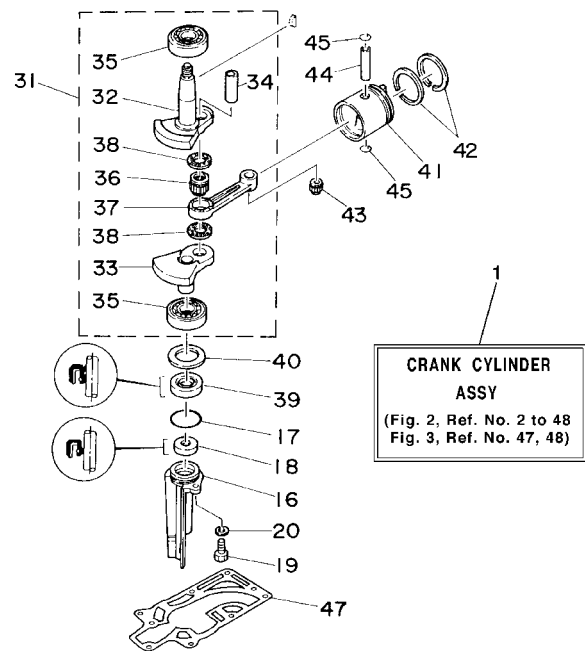
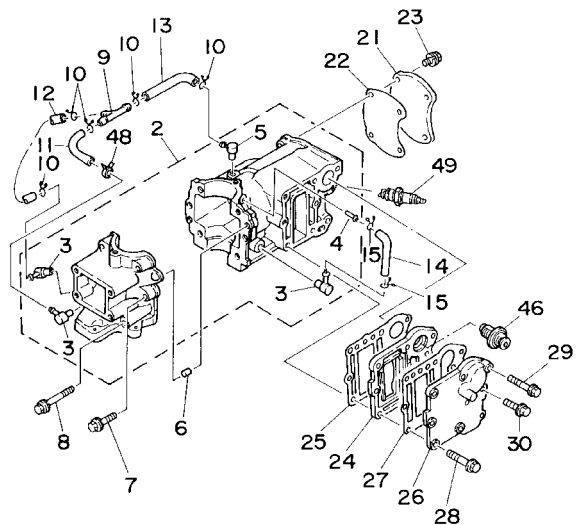
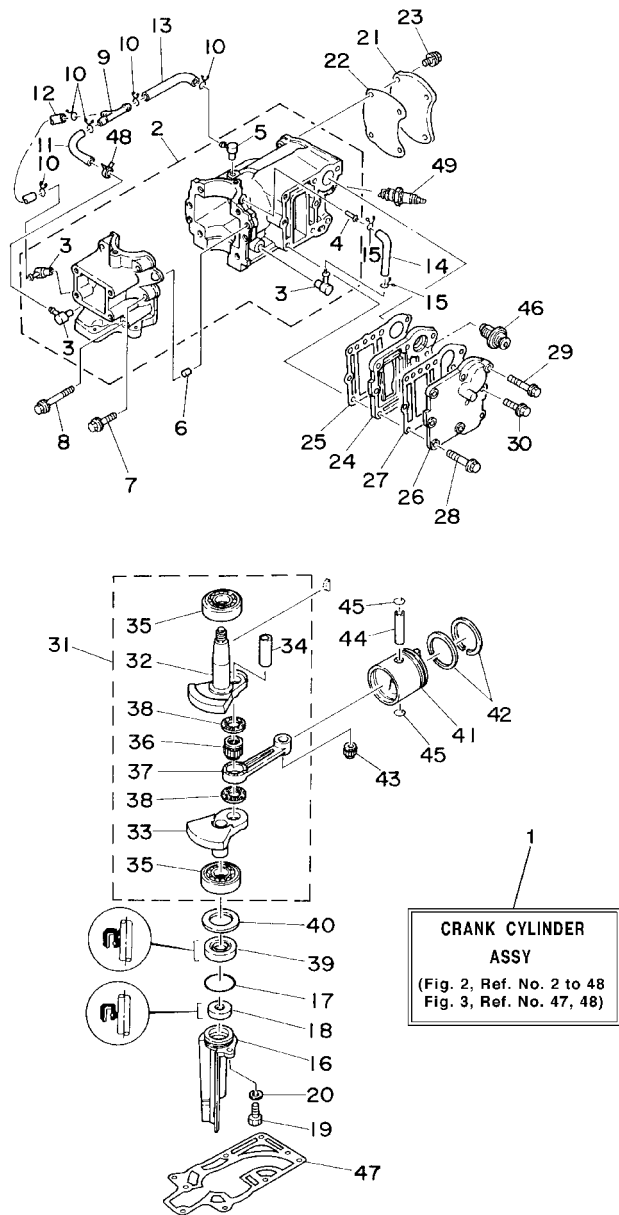


FIG. 2 CYLINDER. CRANKCASE CYLINDRO. CARTER

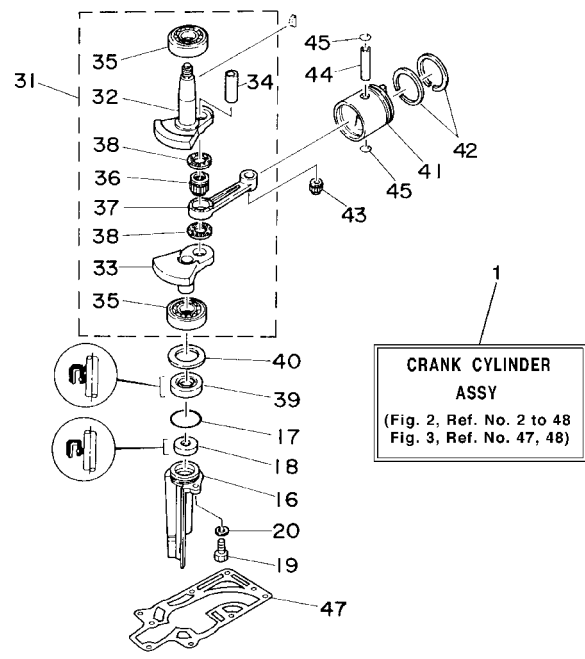
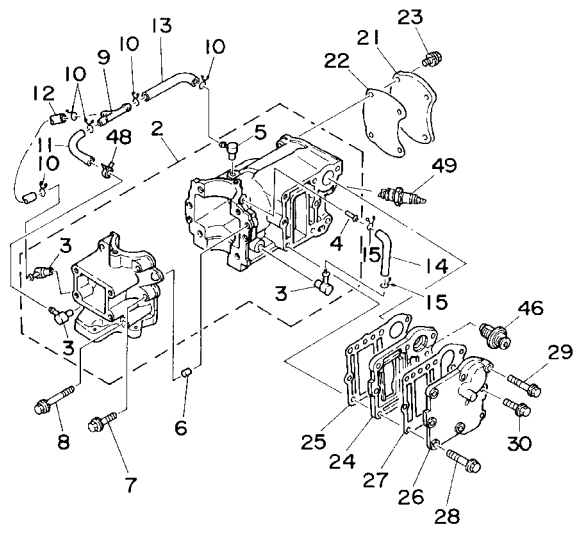
REF. NO.	PART NO. CODIGO NO.	DESCRIPTION DESCRIPTION	4AC	5C	5CS	REMARKS OBSERVACION
1	6E0-W0090-04-1S	CRANK CYLINDER ASSY	1			
	6E3-W0090-04-1S	BLOQUE MOTOR COMPLETO				
	6E0-W0090-04-1S	CRANK CYLINDER ASSY		1	1	
	6E3-W0090-04-1S	BLOQUE MOTOR COMPLETO				
2	6E0-15100-01-1S	CRANKCASE ASSY	1			
	6E3-15100-02-1S	CARTER COMPLETO				
	6E0-15100-01-1S	CRANKCASE ASSY		1	1	
	6E3-15100-02-1S	CARTER COMPLETO				
3	650-11370-01	.CHECK VALVE ASSY	3	3	3	
		.VALVULA DE CONTROL COMPL.				
4	624-14485-00	.PIPE, JOINT	1	1	1	
		.TUBO DE UNION				
5	6E5-11372-01	.NIPPLE, HOSE	1	1	1	
		.NIPLE DE MANGUERA				
6	93606-12019	PIN, DOWEL	2	2	2	
		PASADOR DE CLAVIJA				
7	90105-06M16	BOLT, FLANGE	4	4	4	
		TORNILLO				
8	90105-06M17	BOLT, FLANGE	2	2	2	
		TORNILLO				
9	6E0-24378-00	PIPE, JOINT 4	1	1	1	
		TUBO DE UNION 4				
10	90467-06016	CLIP	5	5	5	
		PRESILLA				
11	90445-07M00	HOSE (L100)	1	1	1	
		TUBO (L100)				
12	90445-07M28	HOSE (L70)	1	1	1	
		TUBO (L70)				
13	90445-07M32	HOSE (L120)	1	1	1	
		TUBO (L120)				
14	90445-07M28	HOSE (L70)	1	1	1	
		TUBO (L70)				
15	90467-06016	CLIP	2	2	2	
		PRESILLA				
16	6E0-15396-03-5B	HOUSING, OIL SEAL	1	1	1	
		CAJA DE SELLO DE ACEITE				
17	93210-31MJ5	O-RING	1	1	1	
		JUNTA TORICA				
18	93101-10M25	OIL SEAL	1	1	1	
		RETEN DE ACEITE				
19	97095-06016	BOLT	1	1	1	
		PERNO				
20	92995-06600	WASHER	1	1	1	
		ARANDELA				
21	6E0-11191-01-1S	COVER, CYLINDER HEAD 1	1			
		TAPA CULATA DE CILINDRO 1				
	6E3-11191-01-1S	COVER, CYLINDER HEAD 1		1	1	
		TAPA CULATA DE CILINDRO 1				
22	6E0-11193-A1	GASKET, HEAD COVER 1	1			
		EMPAQUE				
	6E3-11193-A1	GASKET, HEAD COVER 1		1	1	
		EMPAQUE				
23	90105-06039	BOLT, FLANGE	4	4	4	
		TORNILLO				

FWD  
6E02100-4020

FIG. 2 CYLINDER. CRANKCASE CYLINDRO. CARTER



REF. NO.	PART NO. CODIGO NO.	DESCRIPTION DESCRIPTION	4AC	5C	5CS	REMARKS OBSERVACION
24	6E0-41111-01-1S	INNER COVER, EXHAUST CUBIERTA INTERIOR DE ESCAPE	1			
	6E3-41111-01-1S	INNER COVER, EXHAUST CUBIERTA INTERIOR DE ESCAPE		1	1	
25	6E0-41112-A1	GASKET, EXHAUST INNER COVER EMPAQUE	1			
	6E3-41112-A1	GASKET, EXHAUST INNER COVER EMPAQUE		1	1	
26	6E0-41113-01-1S	OUTER COVER, EXHAUST CUBOERTA EXTERIOR DE ESCAPE	1			
	6E3-41113-01-1S	OUTER COVER, EXHAUST CUBOERTA EXTERIOR DE ESCAPE		1	1	
27	6E0-41114-A1	GASKET, EXHAUST OUTER COVER EMPAQUE	1			
	6E3-41114-A1	GASKET, EXHAUST OUTER COVER EMPAQUE		1	1	
28	90105-06037	BOLT, FLANGE TORNILLO	7			
	90105-06037	BOLT, FLANGE TORNILLO		8	8	
29	90105-06035	BOLT, FLANGE TORNILLO	1			
30	90105-06039	BOLT, FLANGE TORNILLO	1	1	1	
31	6E0-11400-00	CRANKSHAFT ASSY CIGUENAL COMPLETO	1			
	6E3-11400-00	CRANKSHAFT ASSY CIGUENAL COMPLETO		1	1	
32	6E0-11412-00	.CRANK 1 .MANIVELA 1	1			
	6E3-11412-00	.CRANK 1 .MANIVELA 1		1	1	
33	6E0-11422-00	.CRANK 2 .MANIVELA 2	1			
	6E3-11422-00	.CRANK 2 .MANIVELA 2		1	1	
34	6G1-11681-00	.PIN, CRANK 1 .PASADOR MANIVELA 1	1	1	1	
35	93306-204U0	.BEARING .COJINETE	2	2	2	
36	93310-418V1	.BEARING .COJINETE DE RODILLOS	1	1	1	
37	6E0-11651-01	.ROD, CONNECTING .BIELA	1	1	1	
38	90209-18112	.WASHER .ARANDELA DE SEPARACION	2	2	2	
39	93101-20M29	OIL SEAL RETEN DE ACEITE	1	1	1	
40	90201-32M48	WASHER, PLATE ARANDELA PLANA	1	1	1	
41	6E0-11631-00-98	PISTON (STD) PISTON (NORMA)	1			
	6E3-11631-00-98	PISTON (STD) PISTON (NORMA)		1	1	

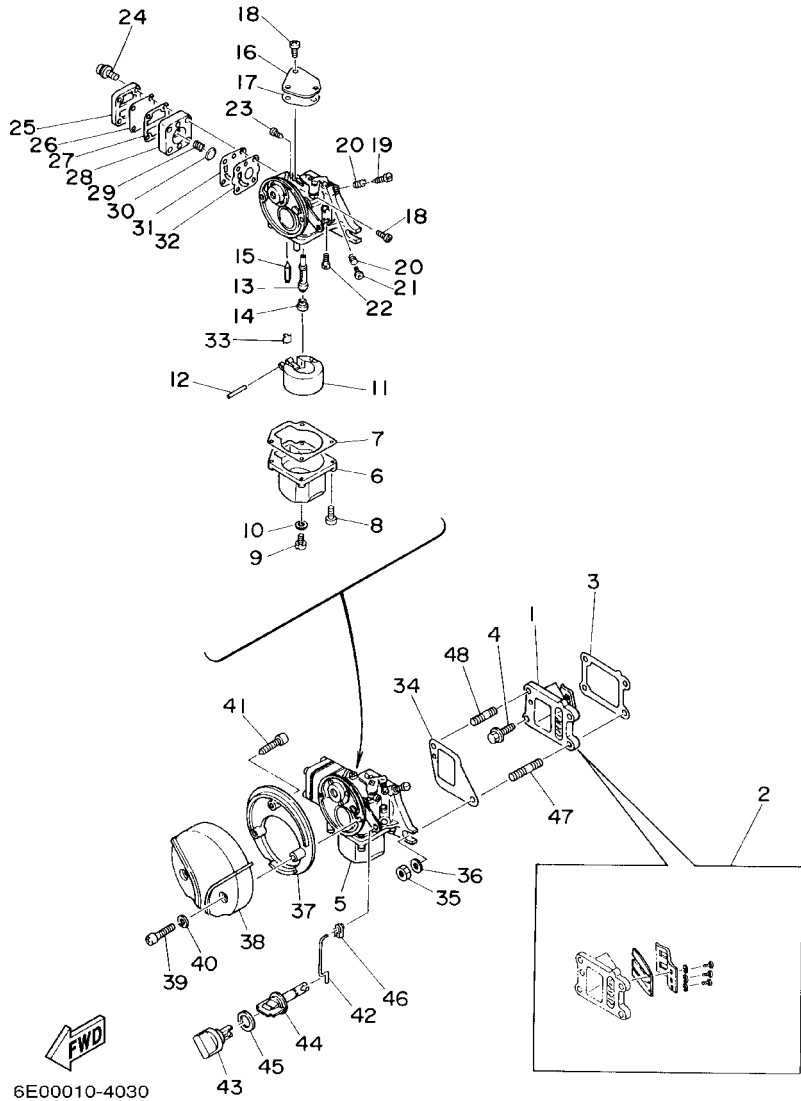


**CRANK CYLINDER  
ASSY**  
(Fig. 2, Ref. No. 2 to 48  
Fig. 3, Ref. No. 47, 48)

**FIG. 2 CYLINDER. CRANKCASE CYLINDRO. CARTER**

REF. NO.	PART NO. CODIGO NO.	DESCRIPTION DESCRIPTION	4AC	5C	5CS	REMARKS OBSERVACION
42	6G1-11610-00	PISTON RING SET (STD) JUEGO DE AROS (NORMA)	1			
	6J1-11610-00	PISTON RING SET (STD) JUEGO DE AROS (NORMA)		1	1	
43	93310-112V0	BEARING COJINETE DE RODILLOS	1	1	1	
44	6G1-11633-00	PIN, PISTON PASADOR, PISTON	1	1	1	
45	93450-13022	CIRCLIP SEGURO	2	2	2	
46	6E5-12411-01	THERMOSTAT TERMOSTAT	1	1	1	AP
47	6E0-45113-A1	GASKET, UPPER CASING EMPAQUE	1	1	1	
48	90468-07M02	CLIP PRESILLA	1	1	1	
49	94702-00040	PLUG, SPARK (NGK B7HS) BUJIA (NGK B7HS)	1	1	1	
	94702-00272	PLUG, SPARK (NGK BR7HS) BUJIA (NGK BR7HS)	1	1	1	FOR CHINA,CARIB

6E02100-4020



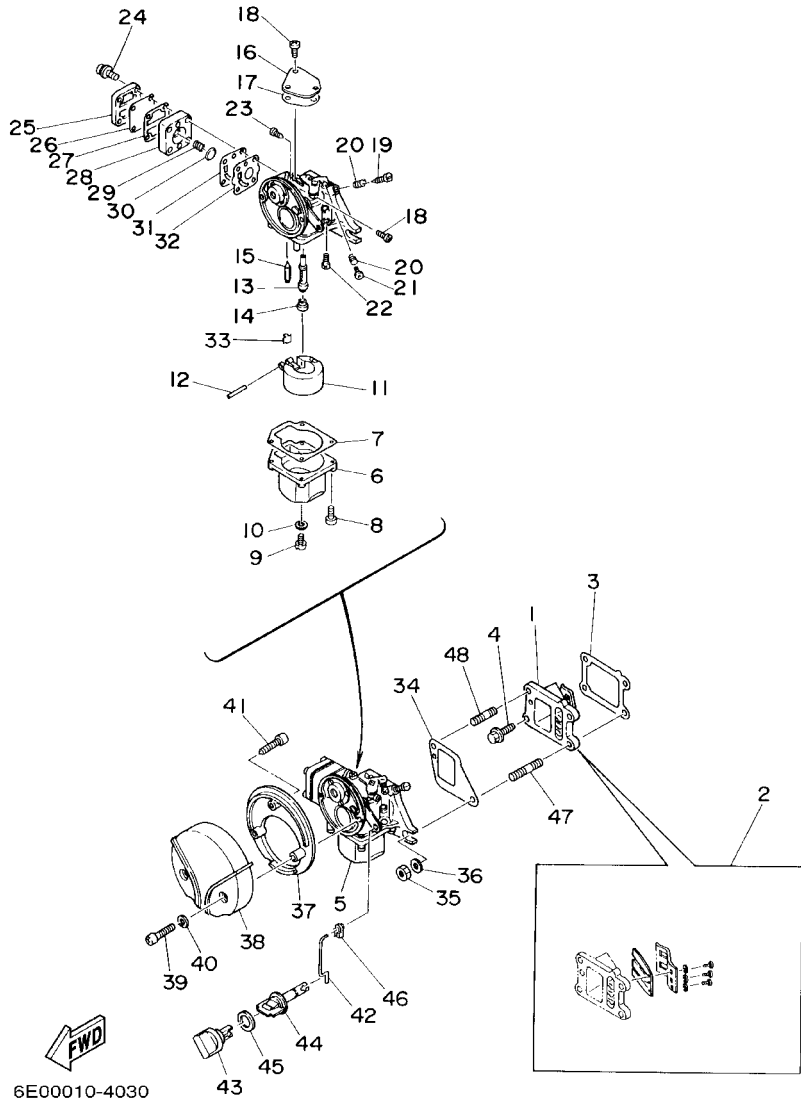
6E00010-4030

FIG. 3 INTAKE

ADMISION

REF. NO.	PART NO. CODIGO NO.	DESCRIPTION DESCRIPTION	4AC	5C	5CS	REMARKS OBSERVACION
1	6J1-13610-00	REED VALVE ASSY VALVULA DE LAMINAS COMPLETA	1	1	1	
	6E0-13610-00	REED VALVE ASSY VALVULA DE LAMINAS COMPLETA	1			FOR CARIB
2	6J1-W0004-00	.REED SET .JUEGO DE VALVULAS DE LENGUETA	1	1	1	FOR 6J1-13610-00
	6E0-W0004-00	.REED SET .JUEGO DE VALVULAS DE LENGUETA	1			FOR 6E0-13610-00
3	6E0-13621-A2	GASKET, VALVE SEAT JUNTA, DE VALV,DE EMPAQUE	1	1	1	
4	95895-06016	BOLT, FLANGE TORNILLO DE REBORDE	2	2	2	
5	6E0-14301-05	CARBURETOR ASSY 1 CARBURADOR COMPLETO 1	1			
	6E3-14301-05	CARBURETOR ASSY 1 CARBURADOR COMPLETO 1		1	1	
6	6E0-14381-02	.BODY, FLOAT CHAMBER .CUERPO DE CAMARA DE BOIA	1	1	1	
7	6E0-14384-00	.GASKET, FLOAT CHAMBER .EMPAQUE, DE CAMARA DE BOIA	1	1	1	
8	97980-04116	.SCREW, WITH WASHER .TORNILLO, CON ARANDELA	4	4	4	
9	97890-05006	.SCREW, PAN HEAD .TORNILLO	1	1	1	
10	646-14198-01	.GASKET .EMPAQUE	1	1	1	
11	6E7-14385-01	.FLOAT .BOIA	1	1	1	
12	647-14386-00	.PIN, FLOAT .PASADOR DE BOIA	1	1	1	
13	6E0-14341-01	.NOZZLE, MAIN .BOQUILLA PRINCIPAL	1			
	6E3-14341-02	.NOZZLE, MAIN .BOQUILLA PRINCIPAL		1	1	
14	648-14343-40	.JET, MAIN (# 80) .INYECTOR PRINCIPAL (# 80)	1	1	1	
15	6F5-14392-00	.VALVE, NEEDLE VALVULA DE AGUJA	1	1	1	
16	6E0-14157-00	.COVER, PLATE .CUBIERTA DE MEZCLA	1	1	1	
17	6E0-14227-00	.GASKET .EMPAQUE	1	1	1	
18	97890-04007	.SCREW, PAN HEAD .TORNILLO	4	4	4	
19	647-14323-00	.SCREW, AIR ADJUSTING .TORNILLO DE AJUSTE DE AIRE	1	1	1	
20	646-14212-01	.SPRING, PILOT ADJUSTING .RESORTE DE AJUSTE DE PILOTO	2	2	2	
21	664-14321-01	.SCREW, THROTTLE .TORNILLO DE OBTURADOR	1	1	1	
22	648-14342-23	.JET, PILOT (# 46) .ESPREA DE PILOTO (# 46)	1			
	648-14342-26	.JET, PILOT (# 52) .ESPREA DE PILOTO (# 52)		1	1	





6E00010-4030

FIG. 3 INTAKE

ADMISION

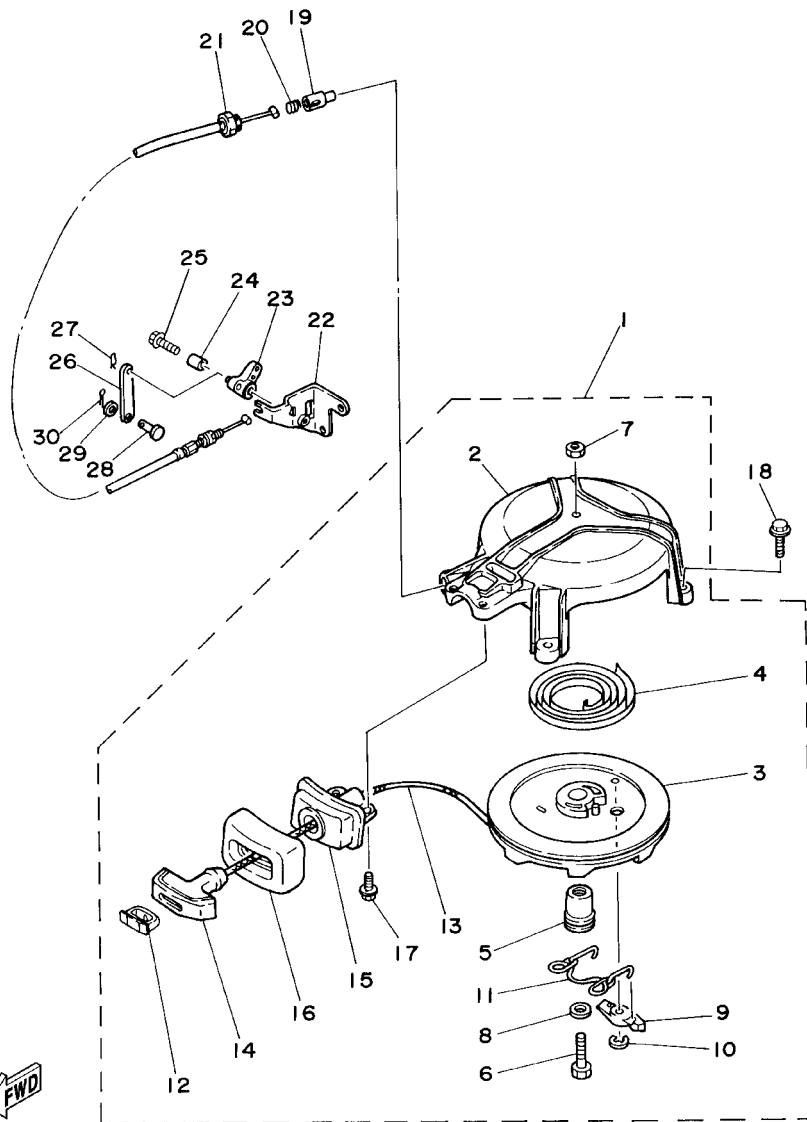
REF. NO.	PART NO. CODIGO NO.	DESCRIPTION DESCRIPTION	4AC	5C	5CS	REMARKS OBSERVACION
23	647-14326-00	.SCREW, GUIDE .TORNILLO DE GUIA	1	1	1	
24	97980-04120	.SCREW, WITH WASHER .TORNILLO, CON ARANDELA	4	4	4	
25	6E0-24413-00	.COVER .CUERPO 2	1	1	1	
26	6E0-24471-00	.DIAPHRAGM .DIAFRAGMA	1	1	1	
27	6E0-24435-00	.GASKET, BODY 2 .EMPAQUE	1	1	1	
28	6E0-24412-00	.BODY 1 .CUERPO 1	1	1	1	
29	6E0-24423-00	.SPRING, DIAPHRAGM .RESORTE DE DIAFRAGMA	1	1	1	
30	6E0-14346-00	.PLATE .PLACA	1	1	1	
31	6E0-24411-00	.DIAPHRAGM .DIAFRAGMA	1	1	1	
32	6E0-24434-00	.GASKET, BODY .EMPAQUE	1	1	1	
33	6E0-14159-00	.CLIP .PRESILLA	1	1	1	
34	6E0-14198-A0	GASKET EMPAQUE	1	1	1	
35	95380-06700	NUT TUERCA	2	2	2	
36	92995-06600	WASHER ARANDELA	2	2	2	
37	6E0-14417-00	COVER 1 CUBIERTA 1	1	1	1	
38	6E0-14418-00	COVER 2 CUBIERTA 2	1	1	1	
39	97880-05025	SCREW, PAN HEAD TORNILLO DE CABEZA CON PLANA	2	2	2	
40	92990-05600	WASHER, PLATE ARANDELA PLANA	2	2	2	
41	97780-40720	SCREW, TAPPING TORNILLO DE CABEZA DE CONO ACH	1	1	1	
42	6E0-41256-00	ROD, CHOKE 1 VARILLA DE AHOGADOR	1	1	1	
43	6E0-41271-00	KNOB, CHOKE PERILLA AHOGADOR	1	1	1	
44	6E0-41272-00	KNOB, CHOKE PERILLA AHOGADOR	1	1	1	
45	90202-12M16	WASHER, PLATE ARANDELA DE PLANA	1	1	1	
46	661-41262-02	JOINT, CHOKE LEVER CONECTOR DE AHOGADOR	1	1	1	
47	95627-06325	BOLT, STUD PERNO DE PUNTAL	1	1	1	
48	90116-06M08	BOLT, STUD ESPARRAGO	1	1	1	

FIG. 4 STARTER

ARRANQUE

REF. NO.	PART NO. CODIGO NO.	DESCRIPTION DESCRIPTION	4AC	5C	5CS	REMARKS OBSERVACION
1	6E0-15710-72-94	STARTER ASSY ARRANQUE COMPLETO	1			FOR SAFETY DEVICE
	6E4-15710-73-94	STARTER ASSY ARRANQUE COMPLETO		1	1	FOR SAFETY DEVICE
2	6E4-15711-71-94	.CASE, STARTER .CAJA DE ARRANQUE	1	1	1	
3	6E0-15714-01	.DRUM, SHEAVE .TAMBOR ROLDANA	1	1	1	
4	90510-08M03	.SPRING, SPIRAL .RESORTE EN ESPIRAL	1	1	1	
5	6E0-15717-00	.SHAFT, STARTER .EJE DE ARRANQUE	1	1	1	
6	97013-06035	.BOLT .PERNO	1	1	1	
7	95303-06600	.NUT .TUERCA	1	1	1	
8	90201-06M30	.WASHER, PLATE .ARANDELA PLANA	1	1	1	
9	677-15741-01	.PAWL, DRIVE .TRINQUETE DE TRACCION	1	1	1	
10	93430-06M02	.CIRCLIP .SEGURO	1	1	1	
11	6E0-15705-00	.SPRING, DRIVE PAWL .RESORTE	1	1	1	
12	6G1-15779-00	.COVER .CUBIERTA	1	1	1	
13	*	.WIRE (L1850) .CABLE (L1850)	1	1	1	
14	6G1-15755-00	.HANDLE, STARTER .MANIJA DE ARRANQUE	1	1	1	
15	6E0-15758-01	.GUIDE, ROPE .GUIA DE CUERDA	1			
	6E3-15758-01	.GUIDE, ROPE .GUIA DE CUERDA		1	1	
16	6E0-15761-00	.SEAL, RUBBER 1 .SELLO DE GOMA 1	1	1	1	
17	90105-06M14	.BOLT FLANGE .TORNILLO	2	2	2	
18	95895-06020	BOLT, FLANGE TORNILLO DE REBORDE	3	3	3	
19	656-15748-00	PLUNGER, STARTER STOP EMBOLO SEGURO DE ARRANQUE	1	1	1	FOR SAFETY DEVICE
20	90501-10227	SPRING, COMPRESSION RESORTE DE COMPRESION	1	1	1	FOR SAFETY DEVICE
21	6E4-15770-70	CABLE COMP., STARTER STOP CABLECOMPL DE SEGURO ARRANQUE	1	1	1	FOR SAFETY DEVICE
22	6E0-15772-71	STAY 2 SOPORTE 2	1			FOR SAFETY DEVICE
	6E4-15772-71	STAY 2 SOPORTE 2		1	1	FOR SAFETY DEVICE

\* CUT FROM 50M ROLLS, PART NO. 90890-44372, CUTTING LENGTH 1.85M  
\* CORTE DE UN RODILLO DE 50M , PARTS NUMERO 90890-44372, LARGO DEL CORTE 1.85M

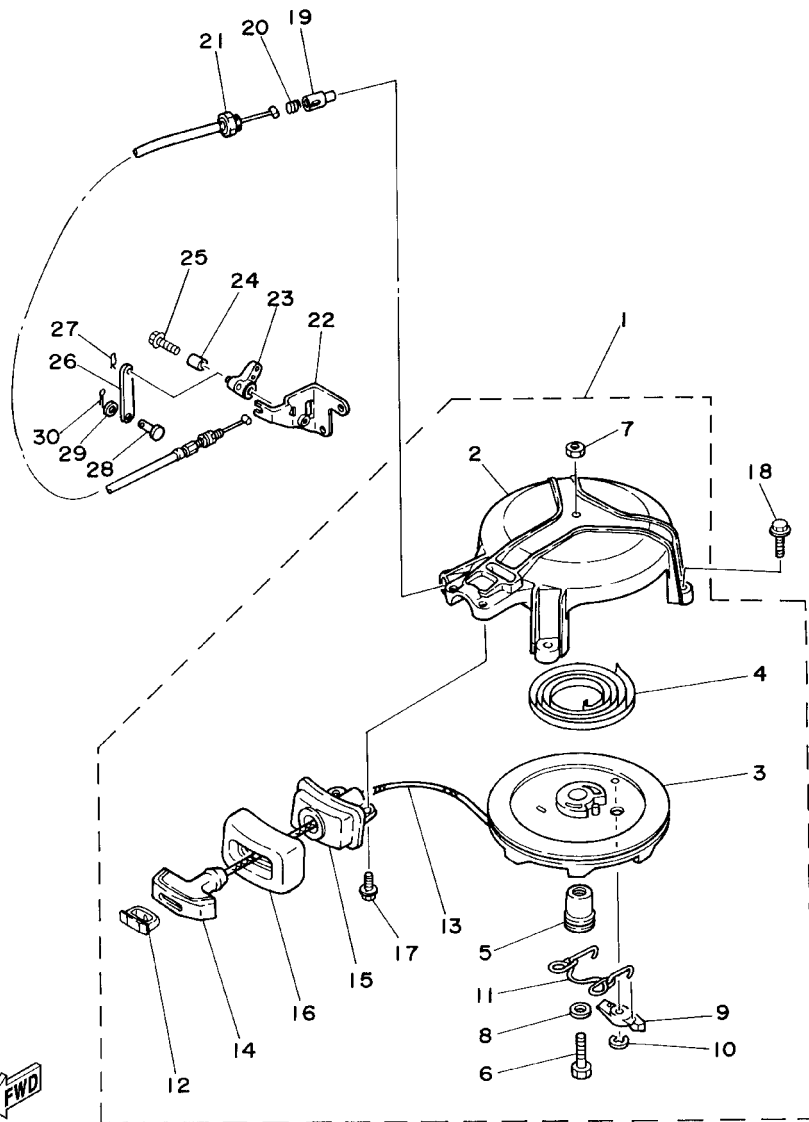


6E00010-4040

FIG. 4 STARTER

ARRANQUE

REF. NO.	PART NO. CODIGO NO.	DESCRIPTION DESCRIPTION	4AC	5C	5CS	REMARKS OBSERVACION
23	6E4-15746-70	ARM BRAZO	1	1	1	FOR SAFETY DEVICE
24	90387-06504	COLLAR COLLAR	1	1	1	FOR SAFETY DEVICE
25	90119-06M18	BOLT, WITH WASHER TORNILLO CON ARANDELA	1	1	1	FOR SAFETY DEVICE
26	6E4-15747-70	LINK ESLABON	1	1	1	FOR SAFETY DEVICE
27	90468-10005	CLIP PRESILLA	1	1	1	FOR SAFETY DEVICE
28	91790-05010	PIN, CLEVIS PASADOR DE ABRAZADERA	1	1	1	FOR SAFETY DEVICE
29	90202-05088	WASHER, PLATE ARANDELA DE PLANA	1	1	1	FOR SAFETY DEVICE
30	91490-16010	PIN, COTTER CHAVETA	1	1	1	FOR SAFETY DEVICE

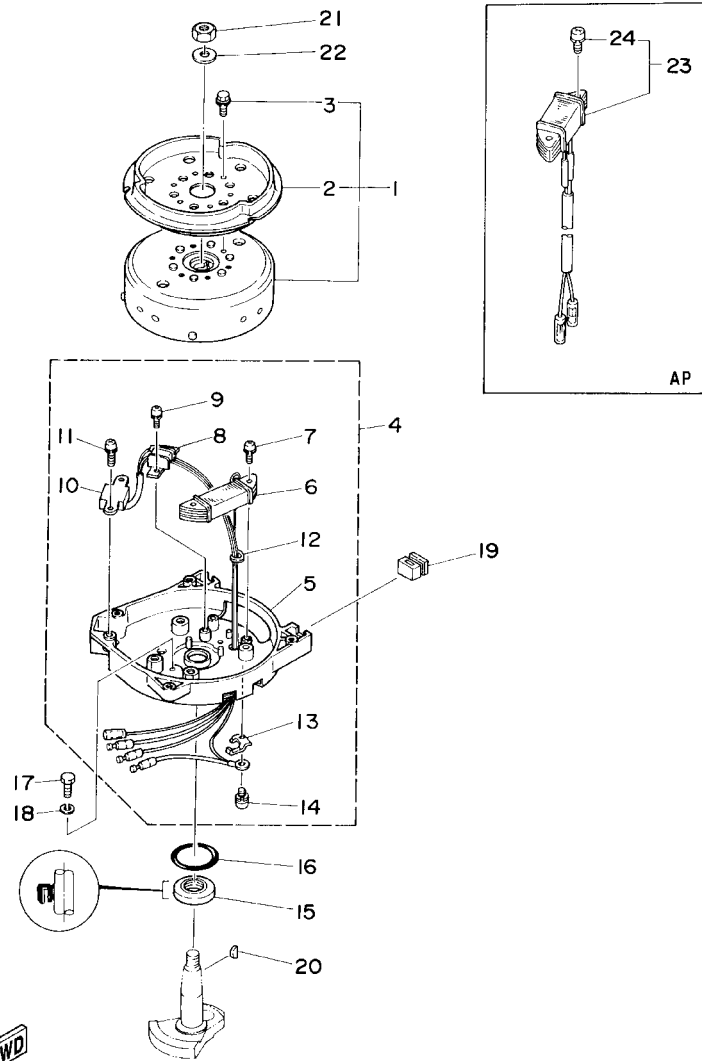


6E00010-4040



FIG. 5 GENERATOR

GENERADOR

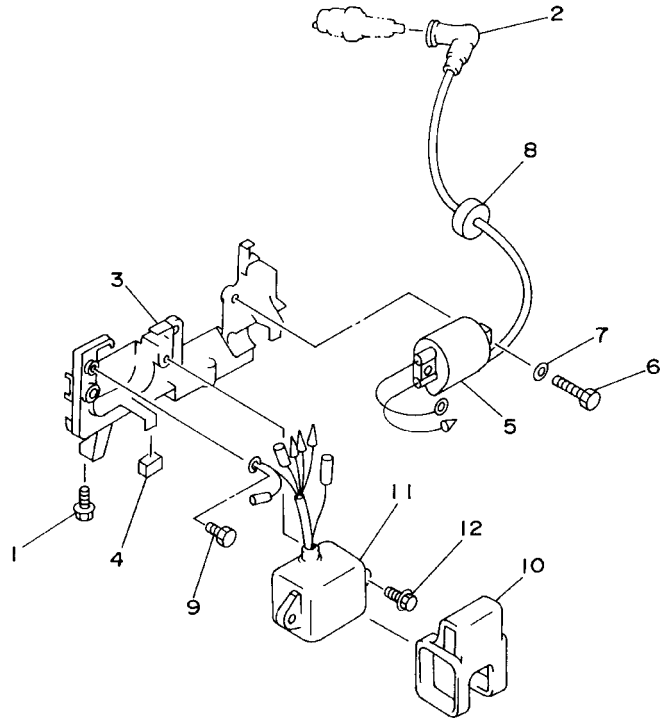


6E00010-4050

REF. NO.	PART NO. CODIGO NO.	DESCRIPTION DESCRIPTION	4AC	5C	5CS	REMARKS OBSERVACION
1	6E0-85550-71	ROTOR ASSY ROTOR COMPLETO	1	1	1	
2	6E0-15723-00-94	.PULLEY, STARTER .POLEA DE ARRANQUE	1	1	1	
3	90105-06M14	.BOLT FLANGE .TORNILLO	3	3	3	
4	6E0-85560-70	BASE ASSY CONJUNTO BASE	1	1	1	
5	6E0-15359-00-94	.HOUSING, OIL SEAL .CAJA DE SELLO DE ACEITE	1	1	1	
6	6E0-85520-70	.COIL, CHARGE .BOBINA DE CARGA	1	1	1	
7	90159-05038	.SCREW, WITH WASHER .TORNILLO CON VALONA	2	2	2	
8	6E0-85595-70	.COIL, PULSER .BOBINA DE PULSACION CONJUNTA	1	1	1	
9	90159-04036	.SCREW, WITH WASHER .TORNILLO CON VALONA	2	2	2	
10	6E0-85592-70	.PULSER COIL ASSY .BOBINA DE PULSACION CONJUNTA	1	1	1	
11	90159-05037	.SCREW, WITH WASHER .TORNILLO CON VALONA	2	2	2	
12	6E0-81336-70	.GROMMET .TAPON PROTECTOR	1	1	1	
13	6E0-81328-70	.CLAMP .GRAMPA	1	1	1	
14	90159-04035	.SCREW, WITH WASHER .TORNILLO CON VALONA	1	1	1	
15	93102-20M25	OIL SEAL RETEN DE ACEITE	1	1	1	
16	93210-42159	O-RING JUNTA TORICA	1	1	1	
17	97095-06016	BOLT PERNO	2	2	2	
18	92995-06100	WASHER, SPRING ARANDELA	2	2	2	
19	6E0-24183-00	DAMPER, LOCATING 3 AMORTIGUADOR DE MONTAJE 3	2	2	2	
20	90280-04M06	KEY, WOODRUFF CUNA WOODRUFF	1	1	1	
21	90170-10113	NUT TUERCA	1	1	1	
22	90201-10126	WASHER, PLATE ARANDELA PLANA	1	1	1	
23	6E0-81303-40	LIGHTING COIL ASSY BOBINA DE ILUMINACION COMPL.	1	1	1	AP 40W
	6E0-81303-80	LIGHTING COIL ASSY BOBINA DE ILUMINACION COMPL.	1	1	1	AP 60W
24	90159-05040	.SCREW, WITH WASHER .TORNILLO CON VALONA	2	2	2	

FIG. 6 ELECTRICAL

ELECTRICO



REF. NO.	PART NO. CODIGO NO.	DESCRIPTION DESCRIPTION	4AC	5C	5CS	REMARKS OBSERVACION
1	95895-06016	BOLT, FLANGE TORNILLO DE REBORDE	2	2	2	
2	663-82370-01	PLUG CAP ASSY TAPON DE BUJIA COMPLT	1	1	1	
	6G1-82370-21	PLUG CAP ASSY TAPON DE BUJIA COMPLT	1			FOR CARIB
	6E3-82370-21	PLUG CAP ASSY TAPON DE BUJIA COMPLT			1	FOR CARIB
3	6E0-82316-01-94	BRACKET, IGNITION COIL SOPORTE BOBINA ENCENDIDO	1	1	1	
4	6E0-82317-00	DAMPER, IGNITION COIL AMORTIGUADOR BOBINA ENCENDIDO	2	2	2	
5	6E0-85570-00	IGNITION COIL ASSY BOBINA DE IGNICION COMPLETO	1	1	1	
6	97095-06016	BOLT PERNO	2	2	2	
7	92995-06600	WASHER ARANDELA	2	2	2	
8	90480-25161	GROMMET TAPON	1	1	1	
9	97080-06010	BOLT PERNO	1	1	1	
10	6E0-85548-00	HOLDER SOSTEN	1	1	1	
11	6E0-85540-71	C.D.I. UNIT ASSY UNIDAD C.D.I. COMPLETA	1	1	1	
12	95895-06020	BOLT, FLANGE TORNILLO DE REBORDE	2	2	2	



6E00010-6060

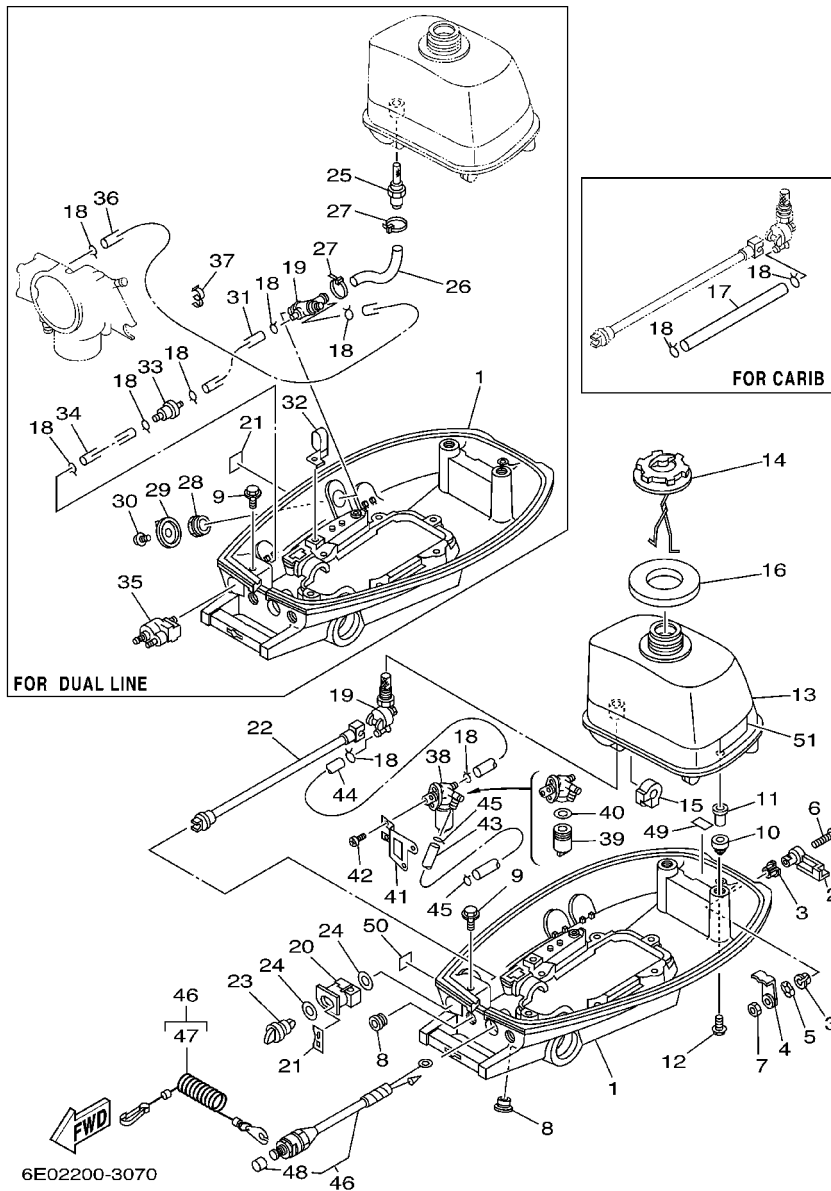


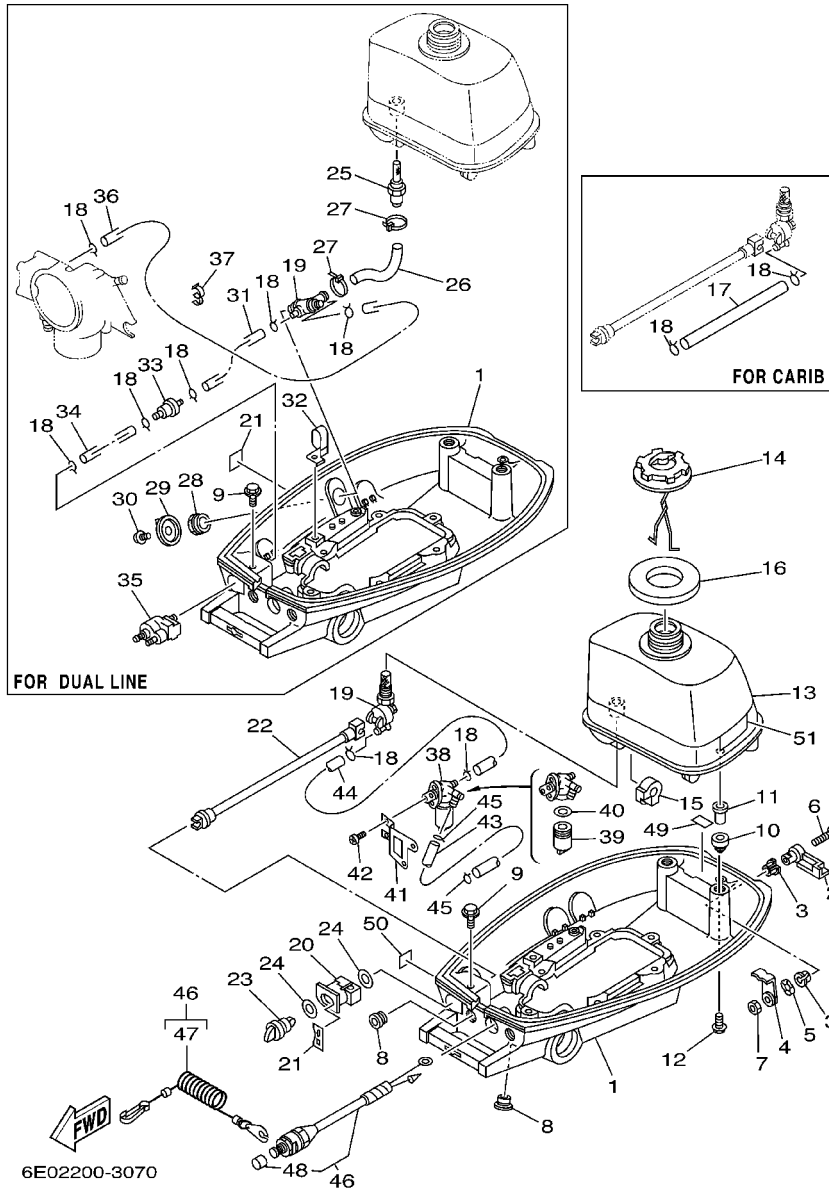
FIG. 7 BOTTOM COWLING 1

CUBIERTA INFERIOR 1

REF. NO.	PART NO. CODIGO NO.	DESCRIPTION DESCRIPTION	4AC	5C	5CS	REMARKS OBSERVACION
1	6E0-42711-05-4D	COWLING, BOTTOM CUBIERTA INFERIOR	1	1		
	6E0-42711-10-4D	COWLING, BOTTOM CUBIERTA INFERIOR	1			FOR DUAL LINE
2	6E0-42815-00-4D	LEVER, CLAMP PALANCA ABRAZADERA	1	1		
3	90386-12069	BUSH BUJE	2	2		
4	6E0-42816-00	LEVER, CLAMP PALANCA ABRAZADERA	1	1		
5	90206-12052	WASHER, WAVE ARANDELA ONDULADA	1	1		
6	97885-06030	SCREW, PAN HEAD TORNILLO A MUESCA	1	1		
7	95380-06700	NUT TUERCA	1	1		
8	90480-14M14	GROMMET TAPON	2	2		
9	95895-06020	BOLT, FLANGE TORNILLO DE REBORDE	1	1		
10	6E0-24182-00	DAMPER, LOCATING 2 AMORTIGUADOR DE MONTAJE 2	2			
	6E3-24182-00	DAMPER, LOCATING 2 AMORTIGUADOR DE MONTAJE 2		2		
11	6E0-42542-00	PIPE TUBO	2	2		
12	95895-06025	BOLT, FLANGE TORNILLO DE REBORDE	2	2		
13	6E0-24110-01-4D	FUEL TANK COMP. DEPOSITO DE COMBUSTIBLE COMP.	1	1		
14	6E0-24610-02	CAP ASSY TAPA COMPLETA	1	1		
15	6E0-24181-00	DAMPER, LOCATING 1 AMORTIGUADOR DE MONTAJE 1	2	2		
16	6E0-24641-00	GASKET, CAP 1 EMPAQUE DE TAPA 1	1			
	6E3-24641-00	GASKET, CAP 1 EMPAQUE DE TAPA 1		1		
17	90445-09M37	HOSE (L240) TUBO (L240)	1			FOR CARIB
18	90467-08004	CLIP PRESILLA	2	2		
	90467-08004	CLIP PRESILLA	6			FOR DUAL LINE
19	6E0-24500-00	FUEL COCK ASSY 1 GRIFO DE COMBUSTIBLE 1	1	1		
	6E0-24500-10	FUEL COCK ASSY 1 GRIFO DE COMBUSTIBLE 1	1			FOR DUAL LINE
20	6E0-24571-00	BUSHING BUJE	1	1		EXCEPT DUAL LINE
21	6E0-24591-00	GRAPHIC CALCAMONIA PALANCA DE CAMBIO	1	1		
	6E0-24591-10	EMBLEM, FUEL COCK CALCAMONIA PALANCA DE CAMBIO	1			FOR DUAL LINE

FIG. 7 BOTTOM COWLING 1

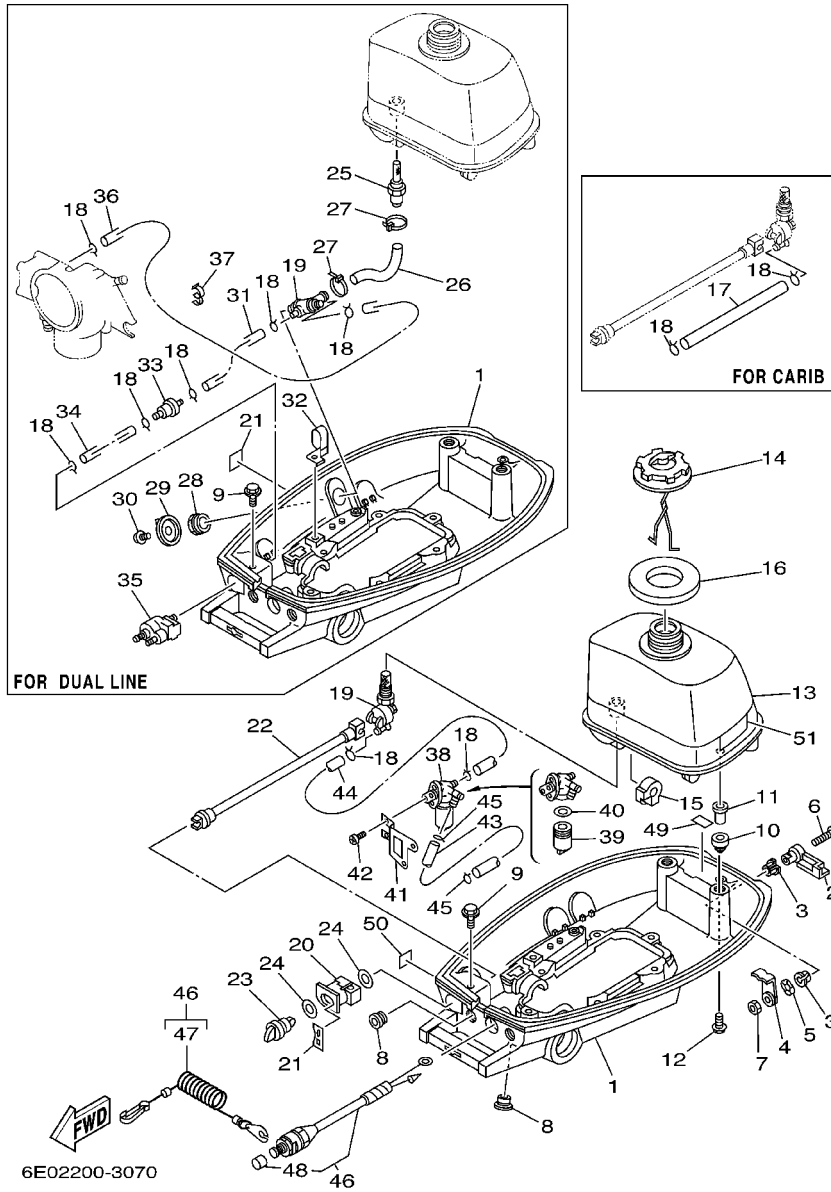
CUBIERTA INFERIOR 1



REF. NO.	PART NO. CODIGO NO.	DESCRIPTION DESCRIPTION	4AC	5C	5CS	REMARKS OBSERVACION
22	6E0-24572-00	SHAFT, FUEL CHANGE EJE SELECTOR COMBUSTIBLE	1	1		EXCEPT DUAL LINE
23	6E0-24575-01	LEVER, FUEL CHANGE PALANCA SELECTOR COMBUSTIBLE	1	1		EXCEPT DUAL LINE
24	90202-12M17	WASHER, PLATE ARANDELA DE PLANA	2	2		EXCEPT DUAL LINE
25	6E0-24335-00	PIPE, SUCTION 1 TUBO DE SUCCION 1	1			FOR DUAL LINE
26	6E0-24311-00	PIPE, FUEL 1 TUBO DE COMBUSTIBLE 1	1			FOR DUAL LINE
27	90465-13M11	CLAMP BRIDA	2			FOR DUAL LINE
28	90170-16M35	NUT TUERCA	1			FOR DUAL LINE
29	6J1-24524-00	LEVER, COCK LLAVE DEL GRIFO	1			FOR DUAL LINE
30	90159-04M24	SCREW, WITH WASHER TORNILLO CON VALONA	1			FOR DUAL LINE
31	90445-09M27	HOSE (L125) TUBO (L125)	1			FOR DUAL LINE
32	90465-08M62	CLAMP BRIDA	1			FOR DUAL LINE
33	646-24251-02	STRAINER 1 COLADOR 1	1			FOR DUAL LINE
34	90445-09057	HOSE (L45) TUBO (L45)	1			FOR DUAL LINE
35	6G1-24304-02	FUEL PIPE JOINT COMP. 1 CONECTOR MANGUERA COMBUST.1	1			FOR DUAL LINE
36	6E0-24312-00	PIPE 2 TUBO 2	1			FOR DUAL LINE
37	90464-09M21	CLAMP BRIDA	1			FOR DUAL LINE
38	6E0-24500-60	FUEL COCK ASSY 1 GRIFO DE COMBUSTIBLE 1	1	1		WATER SEPARATER
39	624-24521-01	.CUP, FILTER .COPA DE FILTRO	1	1		
40	102-24522-01	.GASKET .EMPAQUE	1	1		
41	6E0-24566-61	BRACKET, FILTER SOPORTE DEL FILTRO	1			WATER SEPARATER
	6E3-24566-61	BRACKET, FILTER SOPORTE DEL FILTRO		1		WATER SEPARATER
42	97885-04010	SCREW, PAN HEAD TORNILLO A MUESCA	2	2		WATER SEPARATER
43	90445-09072	HOSE (L120) TUBO (L120)	1	1		WATER SEPARATER
44	90445-09082	HOSE TUBO	1	1		WATER SEPARATER
45	90467-08004	CLIP PRESILLA	2	2		WATER SEPARATER
46	6E0-82575-00	ENGINE STOP SWITCH ASSY INTERRUPTOR DE PARADA COMPL	1	1		
47	682-82556-00	.STOPPER .RETENER	1	1		

FIG. 7 BOTTOM COWLING 1

CUBIERTA INFERIOR 1

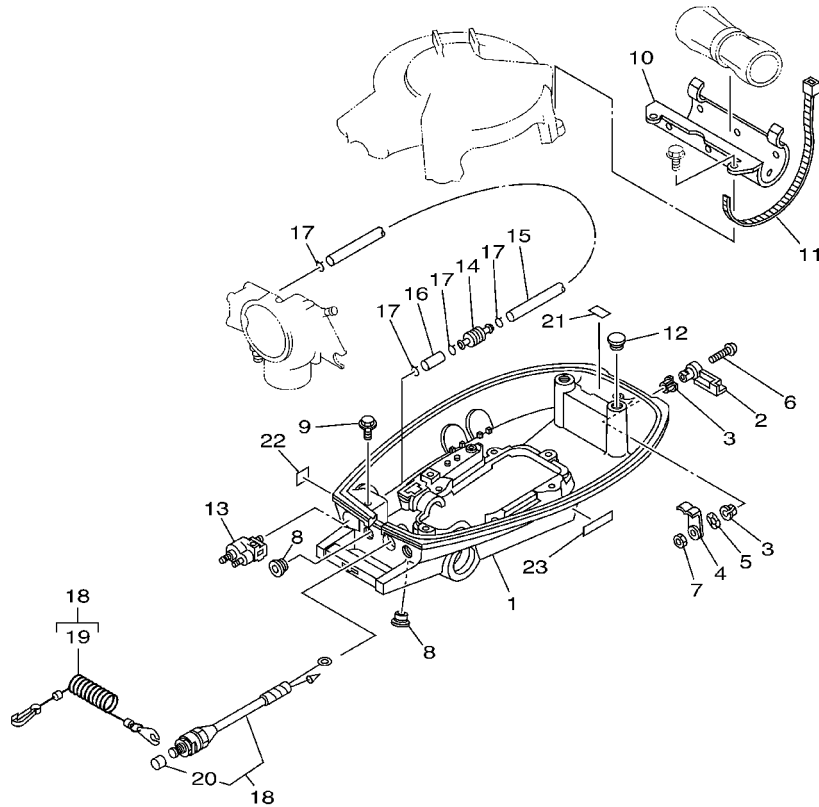


REF. NO.	PART NO. CODIGO NO.	DESCRIPTION DESCRIPTION	4AC	5C	5CS	REMARKS OBSERVACION
48	689-8257Y-00	.CAP .GASQUILLO	1	1		
49	664-42791-00	MARK 1 MARCA 1	1	1		
	664-42791-10	MARK 1 MARCA 1	1	1		FOR CHINA,CARIB
50	6A1-28176-00	LABEL, CAUTION ETIQUETA DE PRECAUCION	1			FOR CARIB
51	6A1-83625-41	MARK 5 MARCA 5	1			FOR CARIB
-----						
-----						
-----						
-----						
-----						
-----						
-----						
-----						



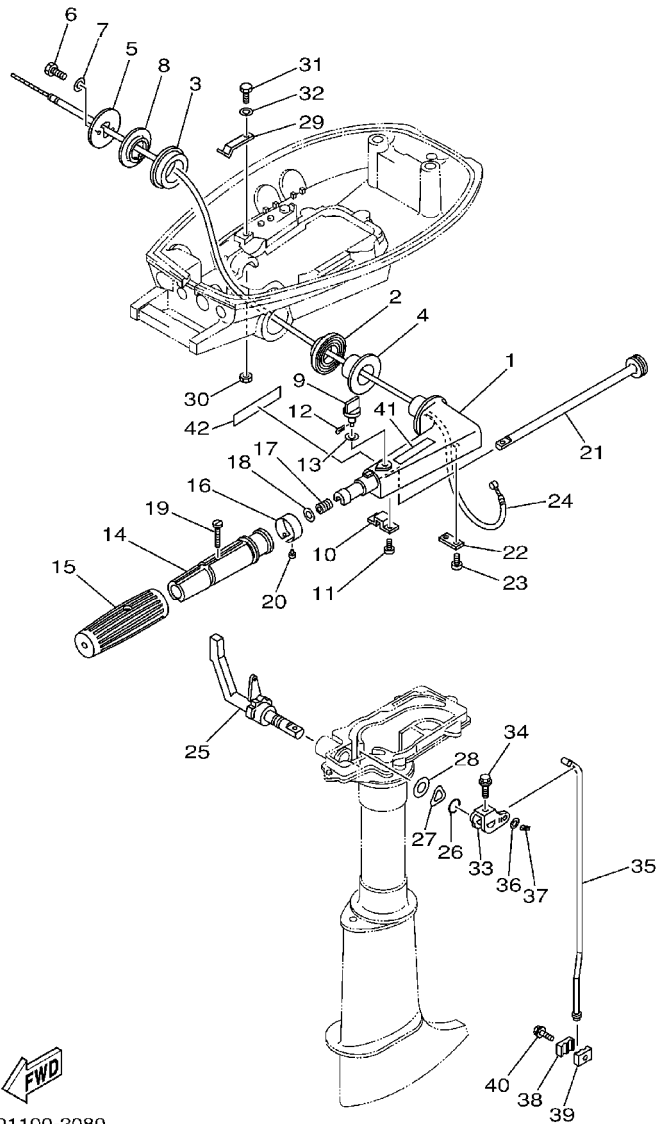
FIG. 8 BOTTOM COWLING 2

CUBIERTA INFERIOR 2



REF. NO.	PART NO. CODIGO NO.	DESCRIPTION DESCRIPTION	4AC	5C	5CS	REMARKS OBSERVACION
1	6E0-42711-05-4D	COWLING, BOTTOM CUBIERTA INFERIOR			1	
2	6E0-42815-00-4D	LEVER, CLAMP PALANCA ABRAZADERA			1	
3	90386-12069	BUSH BUJE			2	
4	6E0-42816-00	LEVER, CLAMP PALANCA ABRAZADERA			1	
5	90206-12052	WASHER, WAVE ARANDELA ONDULADA			1	
6	97885-06030	SCREW, PAN HEAD TORNILLO A MUESCA			1	
7	95380-06700	NUT TUERCA			1	
8	90480-14M14	GROMMET TAPON			2	
9	95895-06020	BOLT, FLANGE TORNILLO DE REBORDE			1	
10	6E1-42643-01	PLATE, CLAMP PLACA GRAMPA			1	
11	6G1-2811G-00	BAND BANDA			1	
12	6E1-24182-00	DAMPER, LOCATING 2 AMORTIGUADOR DE MONTAJE 2			2	
13	6G1-24304-02	FUEL PIPE JOINT COMP. 1 CONECTOR MANGUERA COMBUST.1			1	
14	646-24251-02	STRAINER 1 COLADOR 1			1	
15	688-24313-00	PIPE 3 TUBO 3			1	
16	90445-09057	HOSE (L45) TUBO (L45)			1	
17	90467-08004	CLIP PRESILLA			4	
18	6E0-82575-00	ENGINE STOP SWITCH ASSY INTERRUPTOR DE PARADA COMPL			1	
19	682-82556-00	.STOPPER .RETENER			1	
20	689-8257Y-00	.CAP .CASQUILLO			1	
21	664-42791-00	MARK 1 MARCA 1			1	
	664-42791-10	MARK 1 MARCA 1			1	FOR CHINA,CARIB
22	6A1-28176-00	LABEL, CAUTION ETIQUETA DE PRECAUCION			1	FOR CARIB
23	6E3-8257H-00	PLATE, MARK PLACA DE MARCA			1	FOR CARIB

  
6E02200-3080

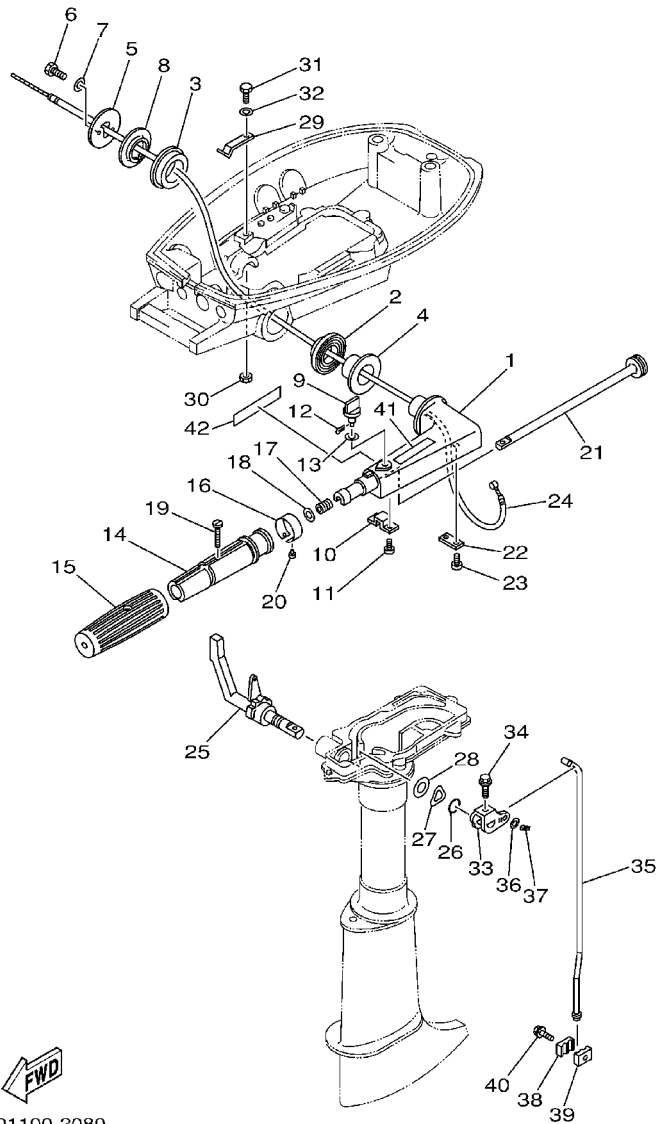


6E01100-2080

FIG. 9 CONTROL

CONTROL

REF. NO.	PART NO. CODIGO NO.	DESCRIPTION DESCRIPTION	4AC	5C	5CS	REMARKS OBSERVACION
1	6E0-42111-02-4D	HANDLE, STEERING MANIJA DE DIRECCION	1	1	1	
2	6E0-42129-02	BUSHING, RUBBER BUJE 1	1	1	1	
3	6E4-42129-00	BUSHING, RUBBER BUJE 1	1	1	1	
4	90386-26M30	BUSH BUJE	1	1	1	
5	6E0-42131-02-94	COVER, HANDLE STEERING CUBIERTA MANIJA DIRRECCION	1	1	1	
6	97013-05020	BOLT PERNO	2	2	2	
7	92903-05600	WASHER, PLATE RONDANA SENCILLA	2	2	2	
8	90386-26M33	BUSH BUJE	1	1	1	
9	6E0-42125-00	BOLT, FRICTION ADJUSTING TORNILLO FRICCION ADJUSTA	1	1	1	
10	6E0-42134-02	COVER, THROTTLE LEVER CUBIERTA PALANCA ACELERADOR	1	1	1	
11	97885-05012	SCREW, PAN HEAD TORNILLO A MUESCA	2	2	2	
12	91490-12010	PIN, COTTER CHAVETA	1	1	1	
13	90202-07M22	WASHER, PLATE ARANDELA DE PLANA	1	1	1	
14	6E0-42119-00	GRIP, STEERING HANDLE MANGO, MANIJA DE DIRRECCION	1	1	1	
15	6E0-42177-00	RUBBER, HANDLE HULE DE MANIJA	1	1	1	
16	6E0-42137-10	INDICATOR, THROTTLE INDICADOR ACELERADOR	1	1	1	
17	90501-23215	SPRING, COMPRESSION RESORTE DE COMPRESION	1	1	1	
18	90201-10119	WASHER, PLATE ARANDELA PLANA	1	1	1	
19	90149-05M13	SCREW TORNILLO DE REGLAJE	1	1	1	
20	90269-02M09	RIVET REMACHE	1	1	1	
21	6E0-42138-01	LEVER, THROTTLE PLANCA DE ACELERACION	1	1	1	
22	6E0-42159-02	STAY SOPORTE	1	1	1	
23	97885-05012	SCREW, PAN HEAD TORNILLO A MUESCA	2	2	2	
24	6E0-26301-01	THROTTLE CABLE ASSY CABLE DE ACELERADOR COMPLETO	1	1	1	
25	6E4-44111-72-4D	HANDLE, GEAR SHIFT MANIJA DE CAMBIO DE MARCHAS	1	1	1	
26	93210-12327	O-RING JUNTA TORICA	1	1	1	
27	90206-16M06	WASHER, WAVE ARANDELA ONDULADA	1	1	1	



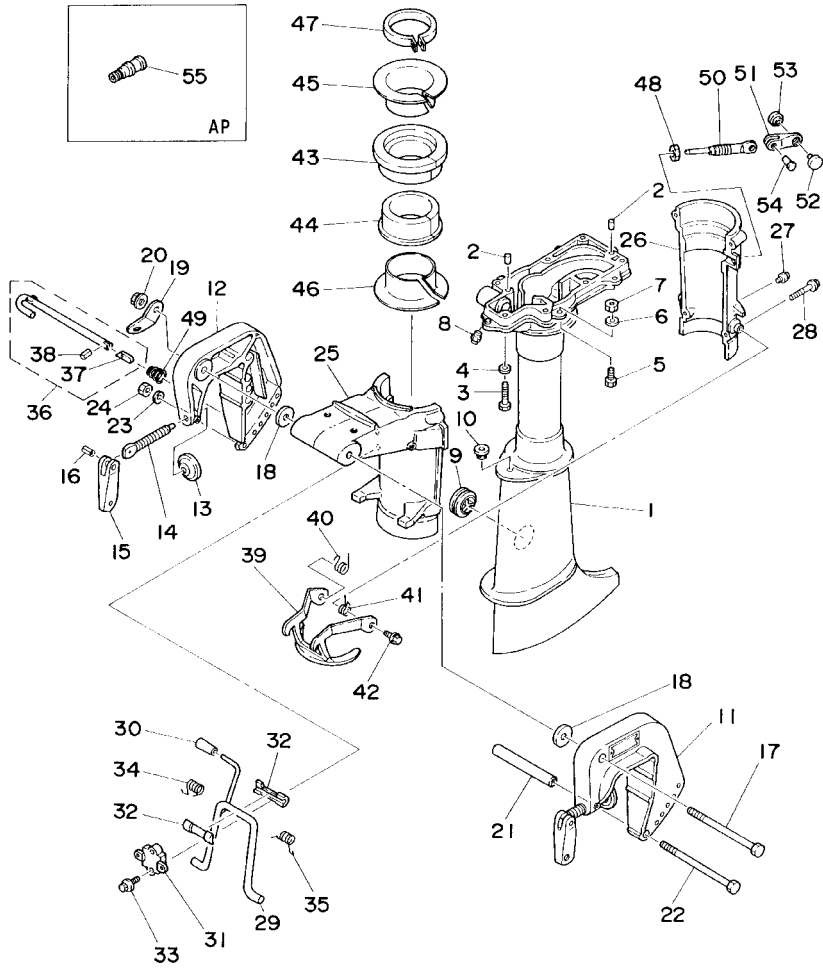
6E01100-2080

FIG. 9 CONTROL

CONTROL

REF. NO.	PART NO. CODIGO NO.	DESCRIPTION DESCRIPTION	4AC	5C	5CS	REMARKS OBSERVACION
28	90202-16061	WASHER, PLATE ARANDELA DE PLANA	1	1	1	
29	6E0-44116-00	SPRING RESORTE	1	1	1	
30	95380-06700	NUT TUERCA	1	1	1	
31	97095-06012	BOLT PERNO	1	1	1	
32	92995-06600	WASHER ARANDELA	1	1	1	
33	6E0-44121-00	LEVER, SHIFT ROD PALANCA VARILLA CAMBIOS	1	1	1	
34	95895-06025	BOLT, FLANGE TORNILLO DE REBORDE	1	1	1	
35	6E0-44143-00	ROD, SHIFT VARILLA DE CAMBIO	1	1	1	S
	6E0-44143-10	ROD, SHIFT VARILLA DE CAMBIO	1	1	1	L
36	92990-05600	WASHER, PLATE ARANDELA PLANA	1	1	1	
37	91490-16010	PIN, COTTER CHAVETA	1	1	1	
38	6E0-44145-00	CONNECTOR, SHIFT ROD CONECTOR, VARILLA CAMBIO	1	1	1	
39	6E0-44146-00	CONNECTOR, SHIFT ROD CONECTOR VARILLA DE CAMBIO	1	1	1	
40	95895-06020	BOLT, FLANGE TORNILLO DE REBORDE	1	1	1	
41	6E0-83627-41	LABEL, CAUTION 7 ETIQUETA DE PRECAUCION 7	1			FOR CARIB
42	6A1-2415A-41	LABEL, CAUTION ETIQUETA DE PRECAUCION	1			FOR CARIB

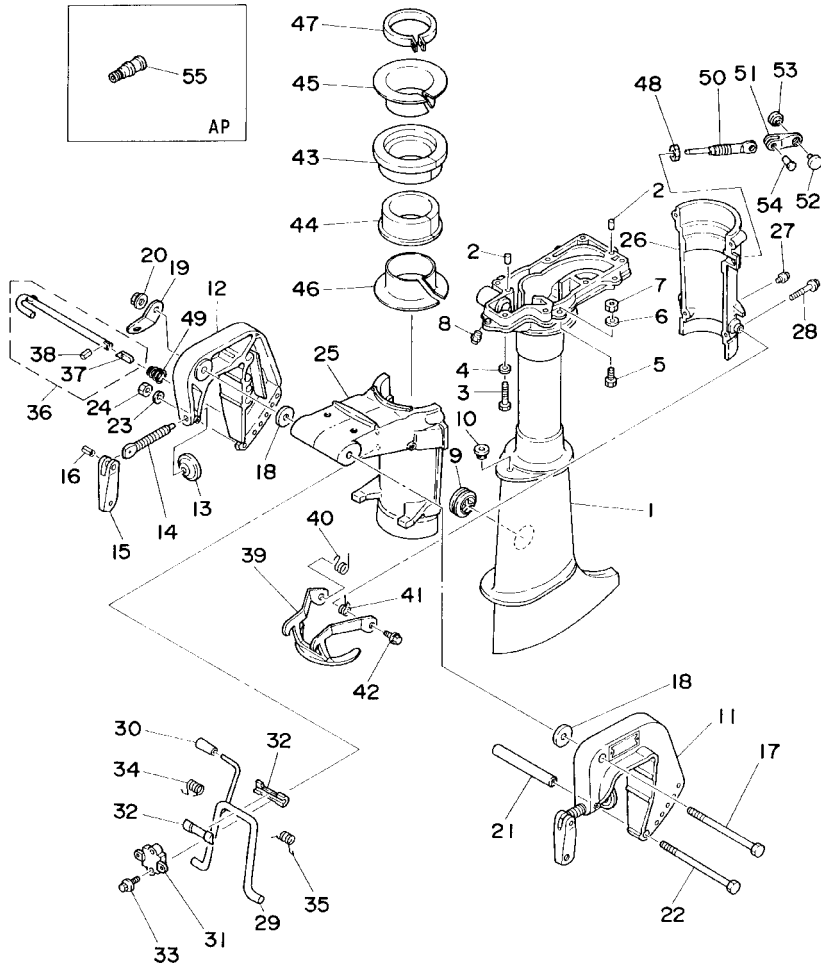
FIG. 10 UPPER CASING . BRACKET CUBIERTA SUPERIOR Y SOPORTE



REF. NO.	PART NO. CODIGO NO.	DESCRIPTION DESCRIPTION	4AC	5C	5CS	REMARKS OBSERVACION
1	6E0-45111-02-4D	CASING, UPPER CAJA SUPERIOR	1	1	1	S
	6E0-45111-12-4D	CASING, UPPER CAJA SUPERIOR	1	1	1	L
2	93606-12019	PIN, DOWEL PASADOR DE CLAVIJA	2	2	2	
3	97095-06030	BOLT PERNO	7	7	7	
4	92995-06600	WASHER ARANDELA	7	7	7	
5	97095-06016	BOLT PERNO	4	4	4	
6	92995-06600	WASHER ARANDELA	4	4	4	
7	95380-06700	NUT TUERCA	4	4	4	
8	93700-06M03	NIPPLE, GREASE BOQUILLA DE ENGRASAR	1	1	1	
9	647-45151-01	COVER, UPPER CASING CUBIERTA_FUNDA SUPERIOR	1	1	1	
10	90480-10M13	GROMMET TAPON	1	1	1	
11	6E0-43111-02-4D	BRACKET, CLAMP SOPORTE DE LA ABRAZADERA	1	1	1	
12	6E0-43112-01-4D	BRACKET, CLAMP SOPORTE DE LA ABRAZADERA	1	1	1	
13	620-43114-00	PAD, TRANSOM CLAMP ARANDELA DE ABRAZADERA	2	2	2	
14	6E0-43116-01	SCREW, TRANSOM CLAMP TORNILLO DE ABRAZADERA	2	2	2	
15	6E0-43118-01	HANDLE, TRANSOM CLAMP MANIJA DE LA ABRAZADERA DEL ES	2	2	2	
16	90243-04M01	PIN PASADOR	2	2	2	
17	90101-08M07	BOLT TORNILLO	1	1	1	
18	90201-08M03	WASHER, PLATE ARANDELA PLANA	2	2	2	
19	6A1-43113-01	PLATE, CLAMP BRACKET PLACA ABRAZADERA SOPORTE	1	1	1	
20	90185-08057	NUT, SELF-LOCKING TUERCA AUTOBLOCANTE	1	1	1	
21	90387-06M11	COLLAR COLLAR	1	1	1	
22	90101-06335	BOLT TORNILLO	1	1	1	
23	92990-06600	WASHER, PLATE ARANDELA PLANA	1	1	1	
24	95380-06600	NUT, HEXAGON TUERCA	1	1	1	
25	6E0-43311-04-4D	BRACKET, SWIVEL 1 SOPORTE GIRATORIO 1	1	1	1	
26	6E0-43312-02-4D	BRACKET, SWIVEL 2 SOPORTE GIRATORIO 2	1	1	1	

FWD  
6E00010-4090

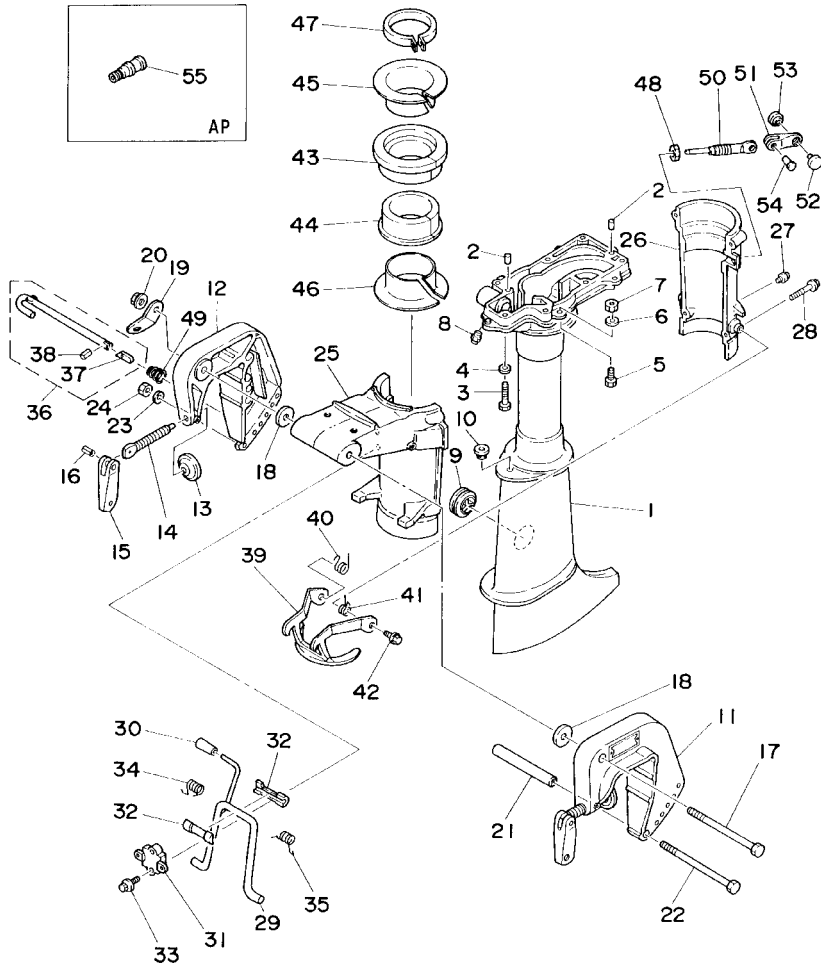
FIG. 10 UPPER CASING . BRACKET CUBIERTA SUPERIOR Y SOPORTE



  
6E00010-4090

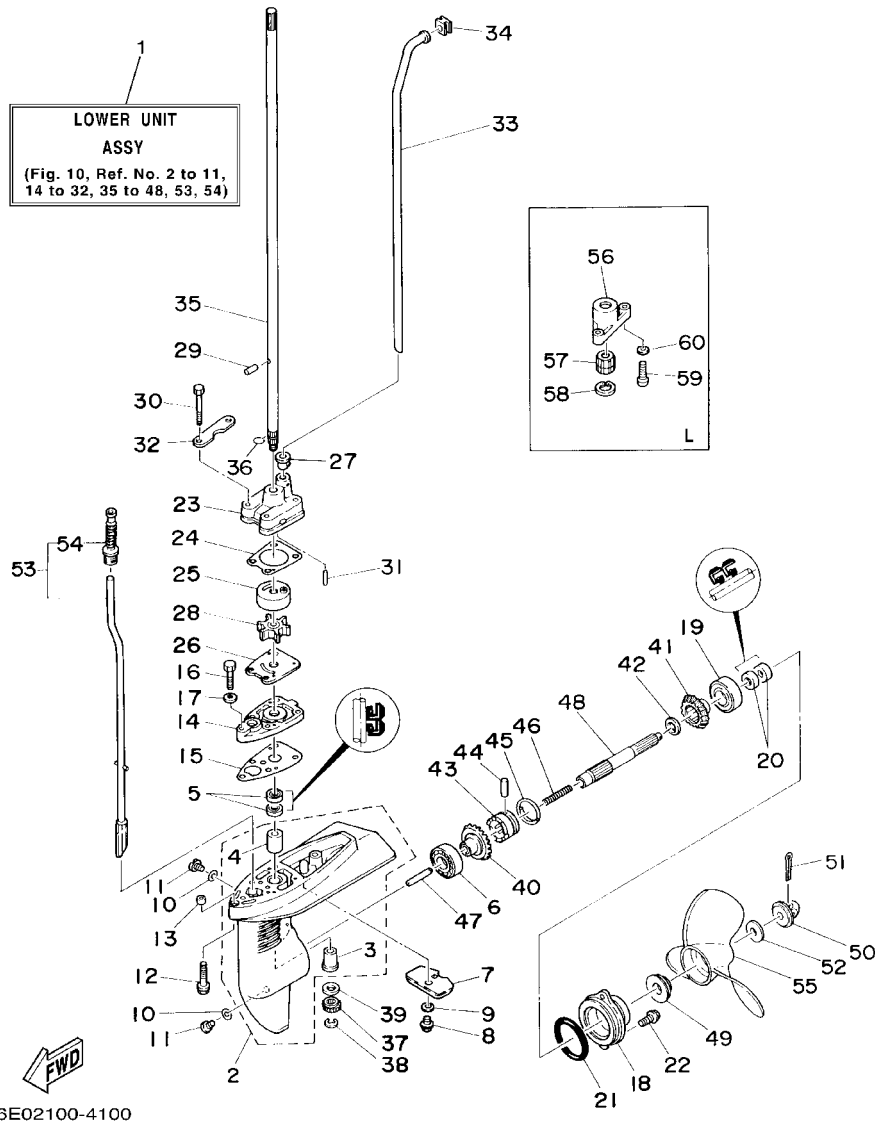
REF. NO.	PART NO. CODIGO NO.	DESCRIPTION DESCRIPTION	4AC	5C	5CS	REMARKS OBSERVACION
27	93700-06M03	NIPPLE, GREASE BOQUILLA DE ENGRASAR	1	1	1	
28	95895-06035	BOLT, FLANGE TORNILLO DE REBORDE	4	4	4	
29	6E0-43181-00	LEVER, TILT STOP PALANCA TOPE INCLINACION	1	1	1	
30	6E0-43632-00	KNOB, TILT PERILLA INCLINADOR	1	1	1	
31	6E0-43313-00-94	BRACKET, SWIVEL 3 SOPORTE GIRATORIO.3	1	1	1	
32	620-43189-00	BUSHING BUJE	2	2	2	
33	95895-06020	BOLT, FLANGE TORNILLO DE REBORDE	2	2	2	
34	90508-16020	SPRING, TORSION RESORTE DE TORSION	1	1	1	
35	90508-16021	SPRING, TORSION RESORTE DE TORSION	1	1	1	
36	6E0-43160-01	TILT ROD ASSY VARILLA DE BASCULACION COMPL.	1	1	1	
37	689-43165-00	PLATE, TILT LOCK .PLACA DE TOPE, VARILLA SEGUR	1	1	1	
38	91690-30008	PIN, SPRING .PASADOR DE RESORTE	1	1	1	
39	6E0-43614-00-5B	PLATE, TILT LOCK PLACA DE SEGURO DE INCLINACION	1	1	1	
40	90508-14M10	SPRING, TORSION RESORTE DE TORSION	1	1	1	
41	90508-14M11	SPRING, TORSION RESORTE DE TORSION	1	1	1	
42	95895-06010	BOLT, FLANGE TORNILLO DE REBORDE	2	2	2	
43	6E0-42537-02	BUSHING, PIVOT SHAFT BUJE DEL PIVOTE DE LA FLECHA	1	1	1	
44	6E0-42538-02	BUSHING, PIVOT SHAFT BUJE DEL PIVOTE DE LA FLECHA	1	1	1	
45	6E0-42539-00	BUSHING, PIVOT SHAFT BUJE DEL PIVOTE DE LA FLECHA	1	1	1	
46	6E0-42549-00	BUSHING, PIVOT SHAFT BUJEDEL PIVOTE DE LA FLECHA	1	1	1	
47	6E0-42528-03	PLATE, FRICTION PIEZA DE FRICCION	1	1	1	
48	95380-08600	NUT TUERCA	1	1	1	
49	90502-08M05	SPRING, CONICAL RESORTE CONICO	1	1	1	
50	6L5-42529-01	SCREW, FRICTION PIECE TORNILLO PIEZA FRICCION	1	1	1	
51	6L5-42561-00	KNOB, STEERING LOCK PERILLA	1	1	1	
52	6L5-44196-00	INDICATOR 3 INDICADOR 3	1	1	1	
53	6L5-44197-00	INDICATOR 4 INDICADOR 4	1	1	1	

FIG. 10 UPPER CASING . BRACKET CUBIERTA SUPERIOR Y SOPORTE



REF. NO.	PART NO. CODIGO NO.	DESCRIPTION DESCRIPTION	4AC	5C	5CS	REMARKS OBSERVACION
54	90266-04M05	RIVET REMACHE	1	1	1	
55	626-28193-01-94	PLUG, WATER CHECK TAPON DE CONTROL DE LA AGUA	1	1	1	AP D:15MM
-----						
-----						
-----						
-----						
-----						
-----						
-----						
-----						
-----						

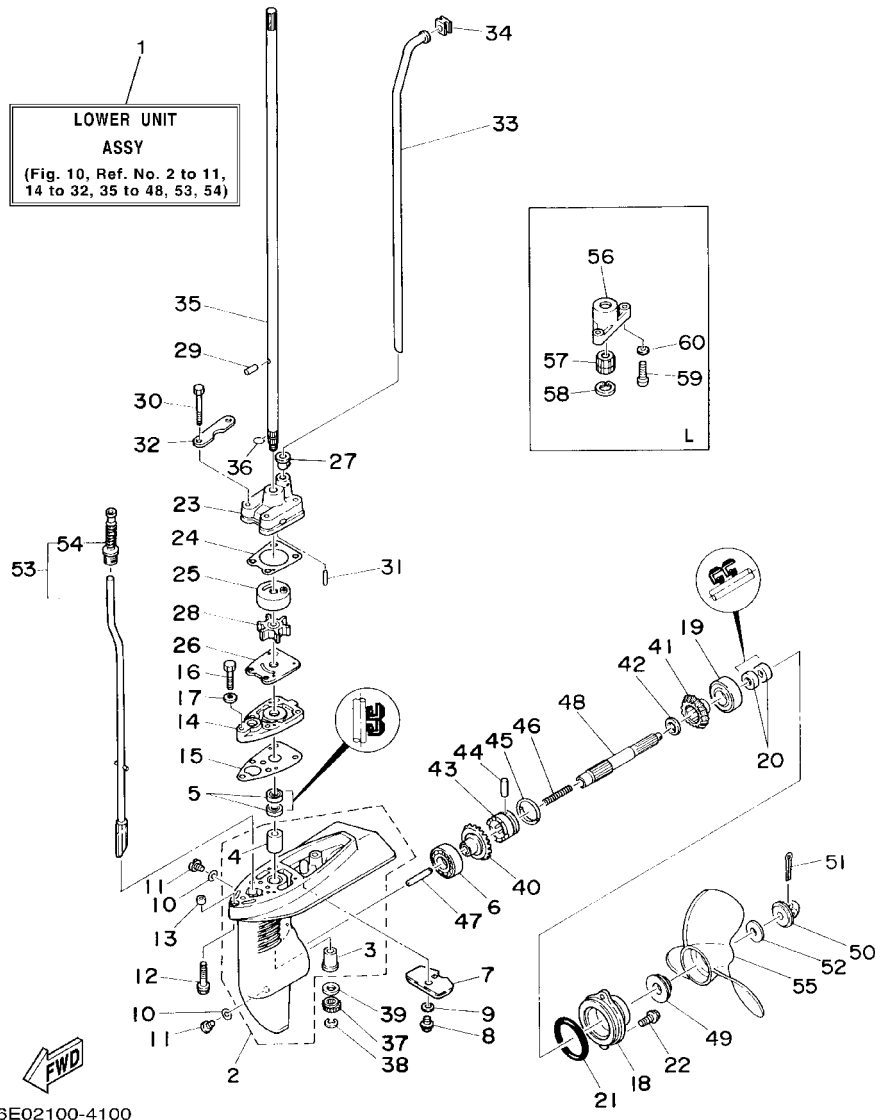
  
6E00010-4090



6E02100-4100

FIG. 11 LOWER CASING. DRIVE IMPULSOR E INFERIOR

REF. NO.	PART NO. CODIGO NO.	DESCRIPTION DESCRIPTION	4AC	5C	5CS	REMARKS OBSERVACION
1	6E0-45300-03-4D	LOWER UNIT ASSY CONJUNTO UNIDAD INFERIOR	1	1	1	S
	6E0-45300-13-4D	LOWER UNIT ASSY CONJUNTO UNIDAD INFERIOR	1	1	1	L
2	6E0-45311-02-4D	CASING, LOWER FUNDA INFERIOR	1	1	1	
3	6E0-45317-09	.BUSHING, DRIVE SHAFT .BUJE	1	1	1	
4	6E0-45316-09	.BUSHING, DRIVE SHAFT .BUJE, EJE DE MANDO	1	1	1	
5	93101-10M14	OIL SEAL RETEN DE ACEITE	2	2	2	
6	93306-004U0	BEARING COJINETE	1	1	1	
7	6L5-45251-03	ANODE CATODE	1	1	1	
8	95895-06012	BOLT, FLANGE TORNILLO DE REBORDE	1	1	1	
9	92990-06300	WASHER, INTERNAL TOOTH ARANDELA PLANA	1	1	1	
10	90430-08020	GASKET JUNTA	3	3	3	
11	90340-08002	PLUG, STRAIGHT SCREW TORNILLO, DE DRENAJE	3	3	3	
12	90119-06M40	BOLT, WITH WASHER TORNILLO CON ARANDELA	2	2	2	
13	90387-06M14	COLLAR COLLAR	2	2	2	
14	6E0-45321-01-5B	PLATE PLACA	1	1	1	
15	6E0-45315-A0	PACKING, LOWER CASING EMPAQUE	1	1	1	
16	97095-06025	BOLT PERNO	1	1	1	
17	92995-06600	WASHER ARANDELA	1	1	1	
18	6E0-45361-01-4D	CAP, LOWER CASING FUNDA INFERIOR	1	1	1	
19	93306-004U0	BEARING COJINETE	1	1	1	
20	93101-13M12	OIL SEAL RETEN DE ACEITE	2	2	2	
21	93210-48214	O-RING JUNTA TORICA	1	1	1	
22	95895-06016	BOLT, FLANGE TORNILLO DE REBORDE	2	2	2	
23	6E0-44311-00	HOUSING, WATER PUMP CAJA BOMBA DE AGUA	1	1	1	
24	6E0-44315-A0	GASKET, WATER PUMP EMPAQUE	1	1	1	
25	6E0-44322-02	INSERT, CARTRIDGE CARTUCHO	1	1	1	
	6E0-44322-40	INSERT, CARTRIDGE CARTUCHO		1		FOR CHINA

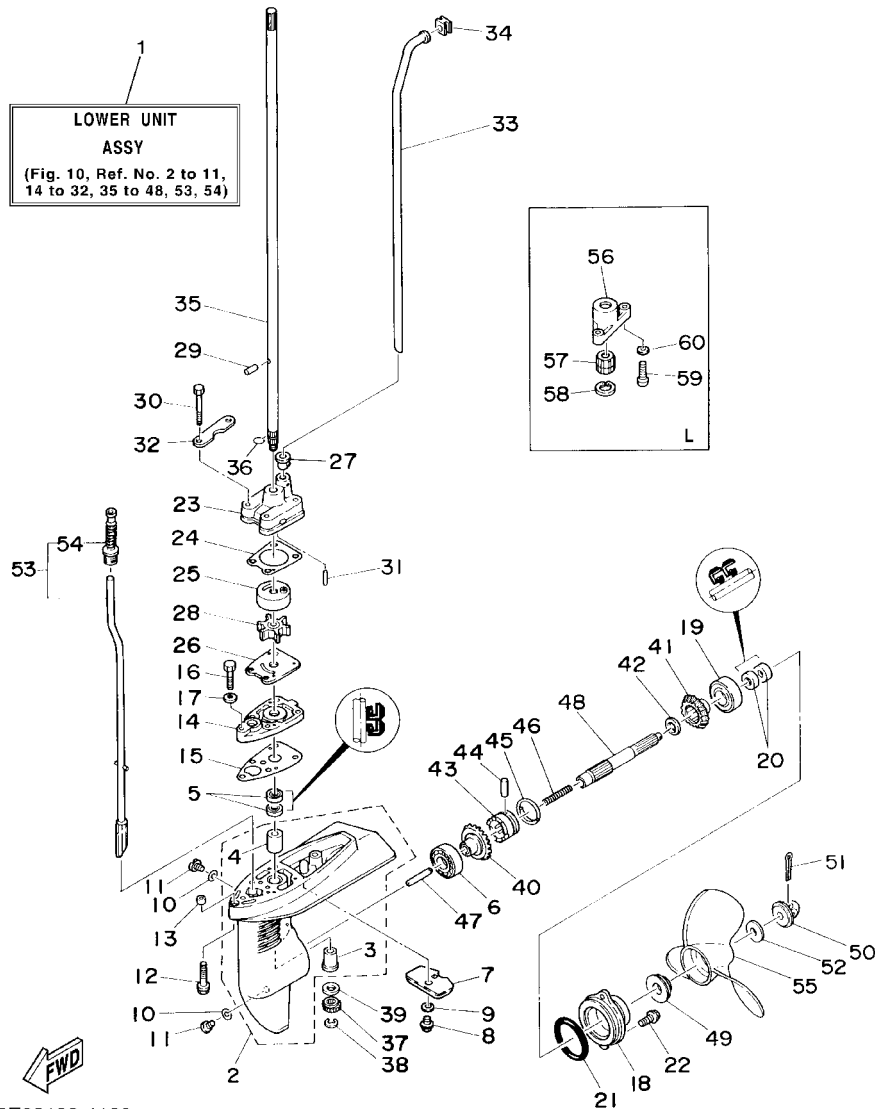


6E02100-4100

FIG. 11 LOWER CASING. DRIVE IMPULSOR E INFERIOR

REF. NO.	PART NO. CODIGO NO.	DESCRIPTION DESCRIPTION	4AC	5C	5CS	REMARKS OBSERVACION
26	6E0-44323-00	OUTER PLATE, CARTRIDGE	1	1	1	FOR CHINA
	6E0-44323-40	OUTER PLATE, CARTRIDGE				
27	6E0-44366-00	DAMPER, WATER SEAL	1	1	1	
28	6E0-44352-00	IMPELLER	1	1	1	
29	93604-09066	PIN, DOWEL	1	1	1	
30	97095-06045	BOLT	4	4	4	
31	93604-18080	PIN, DOWEL	2	2	2	
32	6E0-44328-00	PLATE	2	2	2	
33	6E0-44361-00	TUBE, WATER	1	1	1	S
	6E0-44361-10	TUBE, WATER	1	1	1	L
34	646-44365-00	DAMPER, WATER SEAL	1	1	1	
35	6E0-45511-01	SHAFT, DRIVE	1	1	1	S
	6E0-45511-11	SHAFT, DRIVE	1	1	1	L
36	90467-08M01	CLIP	1	1	1	
37	6E0-45551-00	PINION	1	1	1	
38	99001-06600	CIRCLIP	1	1	1	
39	90201-11M49	WASHER, PLATE	1	1	1	
40	6E0-45560-00	GEAR	1	1	1	
41	6E0-45570-00	GEAR	1	1	1	
42	90201-13M50	WASHER, PLATE	1	1	1	
43	6E0-45631-00	CLUTCH, DOG	1	1	1	
44	90250-05046	PIN, STRAIGHT	1	1	1	
45	654-45633-00	RING, CROSS PIN	1	1	1	
46	90501-10064	SPRING, COMPRESSION	1	1	1	
47	654-45635-00	PLUNGER, SHIFT	1	1	1	
48	6E0-45611-01	SHAFT, PROPELLER	1	1	1	
49	6L5-45987-01	SPACER	1	1	1	





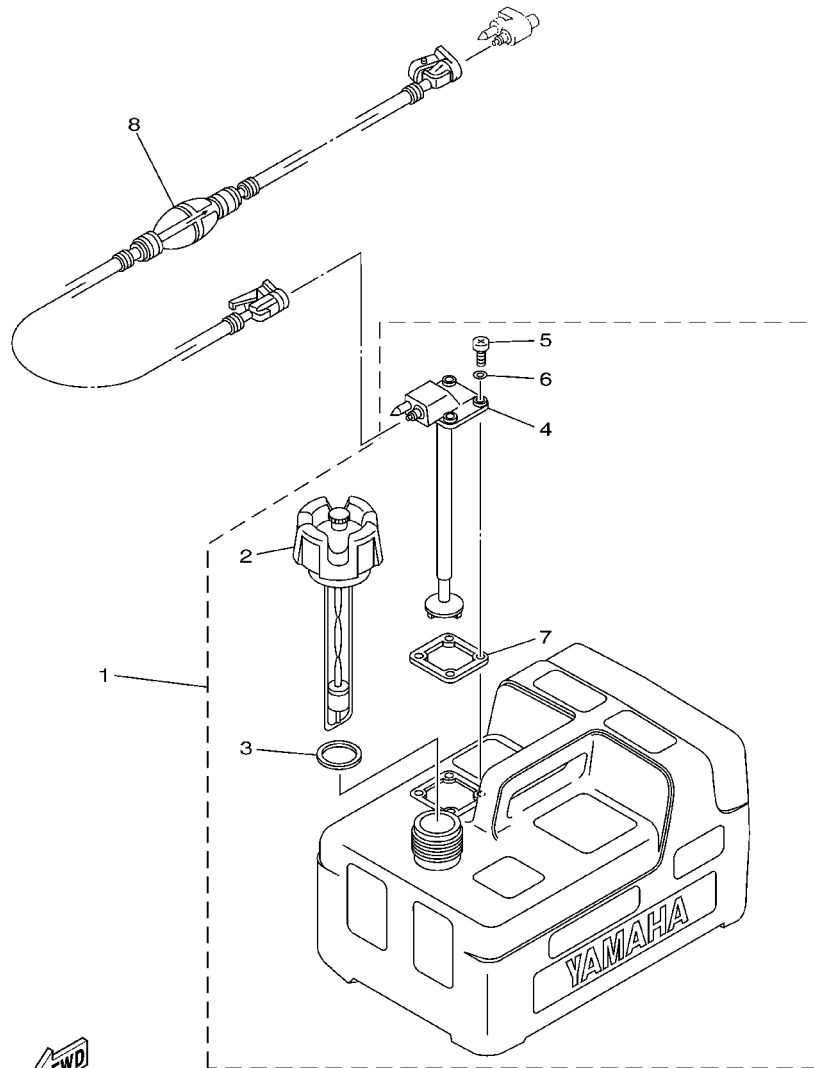
6E02100-4100

FIG. 11 LOWER CASING. DRIVE IMPULSOR E INFERIOR

REF. NO.	PART NO. CODIGO NO.	DESCRIPTION DESCRIPTION	4AC	5C	5CS	REMARKS OBSERVACION
50	6L5-45616-00	NUT, PROPELLER TUERCA DE HELICE	1	1	1	
51	91490-25030	PIN, COTTER CHAVETA	1	1	1	
52	90201-08M54	WASHER, PLATE ARANDELA PLANA	1	1	1	
53	6E0-44150-00	SHIFT CAM ASSY CONJUNTO EJE LEVA COMPL.	1	1	1	S
	6E0-44150-10	SHIFT CAM ASSY CONJUNTO EJE LEVA COMPL.	1	1	1	L
54	6G1-44147-00	.BOOT, SHIFT ROD .HULE DE VARILLA	1	1	1	
55	6E0-45941-01-EL	PROPELLER (3X7-1/2"X8"-BA) PROPELA (3X7-1/2"X8"-BA)	1	1	1	UR
	6E0-45943-01-EL	PROPELLER (3X7-1/2"X7"-BA) PROPELA (3X7-1/2"X7"-BA)	1	1	1	UR
	6E0-45949-00-EL	PROPELLER (3X7-1/4"X6-1/2"-BA) PROPELA (3X7-1/4"X6-1/2"-BA)	1	1	1	UR
56	6E0-45331-00-5B	HOUSING, BEARING CAJA DE COJINETE	1	1	1	L
57	6E0-45318-01	BUSHING, DRIVE SHAFT BUJE, EJE DE MANDO	1	1	1	L
58	93420-22M03	CIRCLIP BOLA	1	1	1	L
59	97880-05025	SCREW, PAN HEAD TORNILLO DE CABEZA CON PLANA	2	2	2	L
60	92990-05600	WASHER, PLATE ARANDELA PLANA	2	2	2	L

FIG. 12 FUEL TANK

DEPOSITO DE COMBUSTIBLE

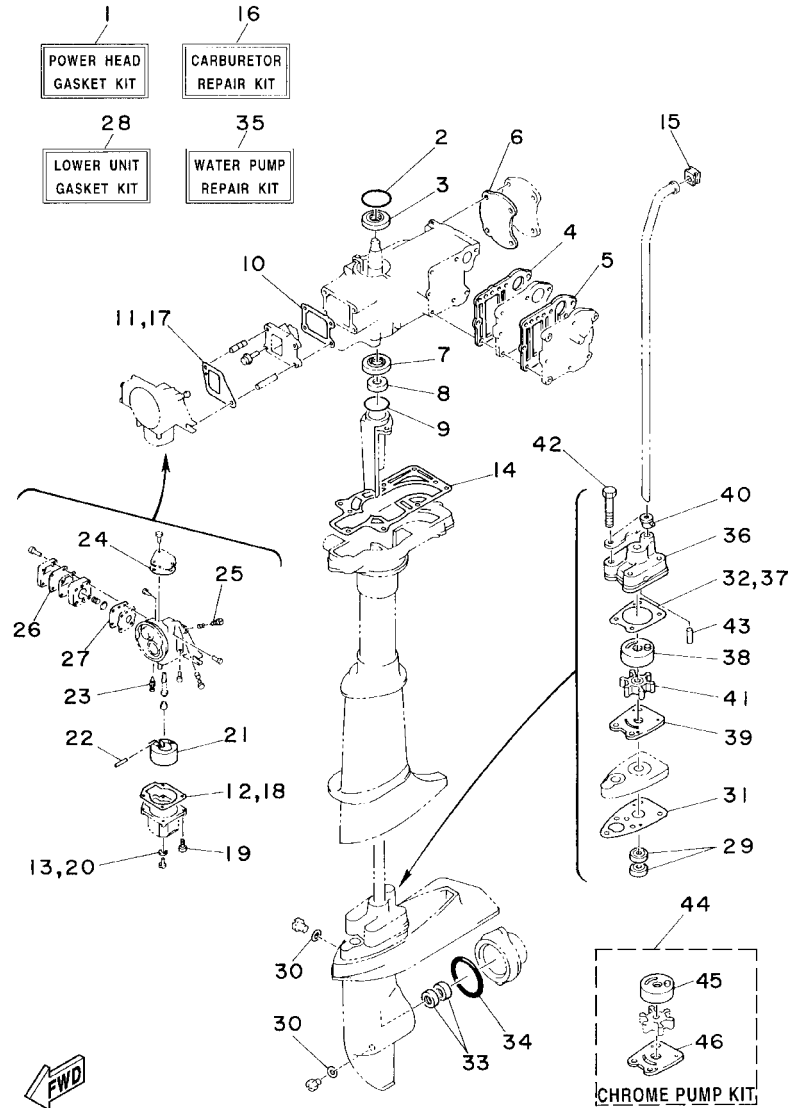


REF. NO.	PART NO. CODIGO NO.	DESCRIPTION DESCRIPTION	4AC	5C	5CS	REMARKS OBSERVACION
1	6YL-24201-02	FUEL TANK ASSY (12L) TANQUE DEL COMBUSTIBLE (12L)			1	AP
2	6YL-24610-00	.CAP ASSY .TAPA COMPLETA			1	
3	6YL-24641-00	.GASKET, CAP 1 EMPAQUE DE TAPA 1			1	
4	6YL-24260-01	.FUEL METER ASSY .MEDIDOR DE COMBUSTIBLE COMPL.			1	
5	90157-05M16	.SCREW, PAN HEAD .TORNILLO CABEZA CONICA PLANA			4	
6	6YL-24329-00	.SEAL .SELLO			4	
7	6YL-24268-01	.GASKET, FUEL METER EMPAQ MEDIDOR DE COMBUSTIBLE			1	
8	6YL-24306-52	FUEL PIPE COMP. 1 TUBO COMBUST. COMPL 1			1	AP

66R0700-9260

FIG. 13 REPAIR KIT

ESTUCHE REPARATION



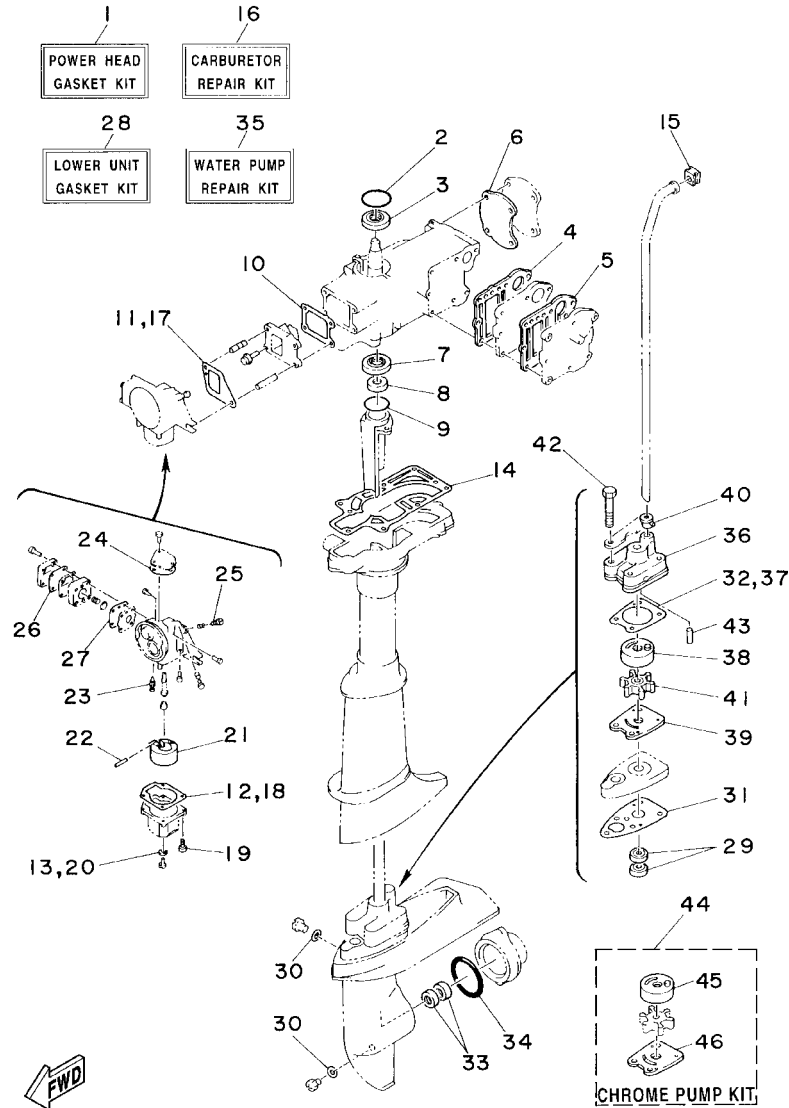
6E00100-4110

REF. NO.	PART NO. CODIGO NO.	DESCRIPTION DESCRIPTION	4AC	5C	5CS	REMARKS OBSERVACION
1	6E0-W0001-A4	POWER HEAD GASKET KIT JUEGO DE EMPAQUE DE MOTOR	1			
	6E3-W0001-A4	POWER HEAD GASKET KIT JUEGO DE EMPAQUE DE MOTOR		1	1	
2	93210-42159	.O-RING .JUNTA TORICA	1	1	1	
3	93102-20M25	.OIL SEAL .RETEN DE ACEITE	1	1	1	
4	6E0-41112-A1	.GASKET, EXHAUST INNER COVER .EMPAQUE	1			
	6E3-41112-A1	.GASKET, EXHAUST INNER COVER .EMPAQUE		1	1	
5	6E0-41114-A1	.GASKET, EXHAUST OUTER COVER .EMPAQUE	1			
	6E3-41114-A1	.GASKET, EXHAUST OUTER COVER .EMPAQUE		1	1	
6	6E0-11193-A1	.GASKET, HEAD COVER 1 .EMPAQUE	1			
	6E3-11193-A1	.GASKET, HEAD COVER 1 .EMPAQUE		1	1	
7	93101-20M29	.OIL SEAL .RETEN DE ACEITE	1	1	1	
8	93101-10M25	.OIL SEAL .RETEN DE ACEITE	1	1	1	
9	93210-31MJ5	.O-RING .JUNTA TORICA	1	1	1	
10	6E0-13621-A2	.GASKET, VALVE SEAT .JUNTA, DE VALV.DE EMPAQUE	1	1	1	
11	6E0-14198-A0	.GASKET .EMPAQUE	1	1	1	
12	6E0-14384-00	.GASKET, FLOAT CHAMBER .EMPAQUE DE CAMARA DE BOIA	1	1	1	
13	646-14198-01	.GASKET .EMPAQUE	1	1	1	
14	6E0-45113-A1	.GASKET, UPPER CASING .EMPAQUE	1	1	1	
15	646-44365-00	.DAMPER, WATER SEAL .HULE DE SELLO DE AGUA	1	1	1	
16	6E0-W0093-04	CARBURETOR REPAIR KIT KIT REPARACION CARBURADOR	1	1	1	
17	6E0-14198-A0	.GASKET .EMPAQUE	1	1	1	
18	6E0-14384-00	.GASKET, FLOAT CHAMBER .EMPAQUE DE CAMARA DE BOIA	1	1	1	
19	97980-04116	.SCREW, WITH WASHER .TORNILLO, CON ARANDELA	4	4	4	
20	646-14198-01	.GASKET .EMPAQUE	1	1	1	
21	6E7-14385-01	.FLOAT .BOIA	1	1	1	
22	647-14386-00	.PIN, FLOAT .PASADOR DE BOIA	1	1	1	
23	6F5-14392-00	.VALVE, NEEDLE .VALVULA DE AGUJA	1	1	1	

D6

FIG. 13 REPAIR KIT

ESTUCHE REPARATION



REF. NO.	PART NO. CODIGO NO.	DESCRIPTION DESCRIPTION	4AC	5C	5CS	REMARKS OBSERVACION
24	6E0-14227-00	.GASKET .EMPAQUE	1	1	1	
25	647-14323-00	.SCREW, AIR ADJUSTING .TORNILLO DE AJUSTE DE AIRE	1	1	1	
26	6E0-24471-00	.DIAPHRAGM .DIAFRAGMA	1	1	1	
27	6E0-24411-00	.DIAPHRAGM .DIAFRAGMA	1	1	1	
28	6E0-W0001-C1	LOWER UNIT GASKET KIT JUEGO DE JUNTA UNIDAD INFERIOR	1	1	1	
29	93101-10M14	.OIL SEAL .RETEN DE ACEITE	2	2	2	
30	90430-08020	.GASKET .JUNTA	3	3	3	
31	6E0-45315-A0	.PACKING, LOWER CASING .EMPAQUE	1	1	1	
32	6E0-44315-A0	.GASKET, WATER PUMP .EMPAQUE	1	1	1	
33	93101-13M12	.OIL SEAL .RETEN DE ACEITE	2	2	2	
34	93210-48214	.O-RING .JUNTA TORICA	1	1	1	
35	6E0-W0078-A3	WATER PUMP REPAIR KIT ESTUCHE REPARACION BOMBA AGUA	1	1	1	
36	6E0-44311-00	.HOUSING, WATER PUMP .CAJA BOMBA DE AGUA	1	1	1	
37	6E0-44315-A0	.GASKET, WATER PUMP .EMPAQUE	1	1	1	
38	6E0-44322-02	.INSERT, CARTRIDGE .CARTUCHO	1	1	1	
39	6E0-44323-00	.OUTER PLATE, CARTRIDGE .PLACA EXTERIOR DEL CARTUCHO	1	1	1	
40	6E0-44366-00	.DAMPER, WATER SEAL .GOMA DEL SELLO DE AGUA	1	1	1	
41	6E0-44352-00	.IMPELLER .IMPULSOR	1	1	1	
42	97095-06045	.BOLT .PERNO	4	4	4	
43	93604-18080	.PIN, DOWEL .PASADOR DE CLAVIJA	2	2	2	
44	6E0-W0078-0A	CHROME PUMP KIT ESTUCHE REPARACION BOMBA AGUA	1	1	1	
45	6E0-44322-40	.INSERT, CARTRIDGE .CARTUCHO	1	1	1	
46	6E0-44323-40	.OUTER PLATE, CARTRIDGE .PLACA EXTERIOR DEL CARTUCHO	1	1	1	

6E00100-4110

NUMERICAL INDEX  
INDICE NUMERICO

PART NO. CODIGO NO.	REF. NO.	PART NO. CODIGO NO.	REF. NO.	PART NO. CODIGO NO.	REF. NO.	PART NO. CODIGO NO.	REF. NO.	PART NO. CODIGO NO.	REF. NO.	PART NO. CODIGO NO.	REF. NO.
6E0-W0001-A4	13 - 1	6E0-14227-00	13 - 24	6G1-15779-00	4 - 12	6YL-24641-00	12 - 3	6E0-42677-20	1 - 7	6E0-44322-02	11 - 25
6E0-W0001-C1	13 - 28	6E0-14301-05	3 - 5	6E0-24110-01-4D	7 - 13	6E0-26301-01	9 - 24	6E3-42677-20	1 - 7	6E0-44322-40	11 - 25
6E3-W0001-A4	13 - 1	6E3-14301-05	3 - 5	6A1-2415A-41	9 - 42	6G1-2811G-00	8 - 11	6E0-42678-12	1 - 8	6E0-44323-00	11 - 26
6E0-W0004-00	3 - 2	6E4-14321-01	3 - 21	6E0-24181-00	7 - 15	6A1-28176-00	7 - 50	6E3-42678-12	1 - 8	6E0-44323-40	11 - 26
6J1-W0004-00	3 - 2	647-14323-00	3 - 19	6E0-24182-00	7 - 10		8 - 22	6E0-42711-05-4D	7 - 1	6E0-44323-00	11 - 26
6E0-W0070-14	1 - 6		13 - 25	6E1-24182-00	8 - 12	626-28193-01-94	10 - 55		8 - 1	6E0-44323-40	11 - 26
6E0-W0078-A3	13 - 35	647-14326-00	3 - 23	6E3-24182-00	7 - 10	6E0-41111-01-1S	2 - 24	6E0-42711-10-4D	7 - 1	6E0-44328-00	11 - 32
6E0-W0078-0A	13 - 44	6E0-14341-01	3 - 13	6E0-24183-00	5 - 19	6E3-41111-01-1S	2 - 24	664-42791-00	7 - 49	6E0-44352-00	11 - 28
6E0-W0090-04-1S	2 - 1	6E3-14341-02	3 - 13	6YL-24201-02	12 - 1	6E0-41112-A1	2 - 25		8 - 21	6E0-44361-00	11 - 33
6E3-W0090-04-1S	2 - 1	648-14342-23	3 - 22	646-24251-02	7 - 33		13 - 4	664-42791-10	7 - 49	6E0-44361-10	11 - 33
6E0-W0093-04	13 - 16	648-14342-26	3 - 22		8 - 14	6E3-41112-A1	2 - 25		8 - 21	646-44365-00	11 - 34
656-W2810-02	1 - 10	648-14343-40	3 - 14	6YL-24260-01	12 - 4		13 - 4	6E0-42815-00-4D	7 - 2	6E0-44366-00	11 - 27
6E0-11191-01-1S	2 - 21	6E0-14346-00	3 - 30	6YL-24268-01	12 - 7	6E0-41113-01-1S	2 - 26		8 - 2	6E0-45111-02-4D	10 - 1
6E3-11191-01-1S	2 - 21	6E0-14381-02	3 - 6	6G1-24304-02	7 - 35	6E3-41113-01-1S	2 - 26	6E0-42816-00	7 - 4	6E0-45111-12-4D	10 - 1
6E0-11193-A1	2 - 22	6E0-14384-00	3 - 7		8 - 13	6E0-41114-A1	2 - 27		8 - 4	6E0-45113-A1	2 - 47
	13 - 6		13 - 12	6YL-24306-52	12 - 8		13 - 5	6E0-43111-02-4D	10 - 11	6E0-45113-01	13 - 14
6E3-11193-A1	2 - 22		13 - 18	6E0-24311-00	7 - 26	6E3-41114-A1	2 - 27	6E0-43112-01-4D	10 - 12	647-45151-01	10 - 9
	13 - 6	6E7-14385-01	3 - 11	6E0-24312-00	7 - 36		13 - 5	6A1-43113-01	10 - 19	6L5-45251-03	11 - 7
650-11370-01	2 - 3		13 - 21	688-24313-00	8 - 15	6E0-41256-00	3 - 42	620-43114-00	10 - 13	6E0-45300-03-4D	11 - 1
6E5-11372-01	2 - 5	647-14386-00	3 - 12	6YL-24329-00	12 - 6	661-41262-02	3 - 46	6E0-43116-01	10 - 14	6E0-45300-13-4D	11 - 1
6E0-11400-00	2 - 31		13 - 22	6E0-24335-00	7 - 25	6E0-41271-00	3 - 43	6E0-43118-01	10 - 15	6E0-45311-02-4D	11 - 2
6E3-11400-00	2 - 31	6F5-14392-00	3 - 15	6E0-24378-00	2 - 9	6E0-41272-00	3 - 44	6E0-43160-01	10 - 36	6E0-45315-A0	11 - 15
6E0-11412-00	2 - 32		13 - 23	6E0-24411-00	3 - 31	6E0-42111-02-4D	9 - 1	689-43165-00	10 - 37		
6E3-11412-00	2 - 32	6E0-14417-00	3 - 37		13 - 27	6E0-42119-00	9 - 14	6E0-43181-00	10 - 29		
6E0-11422-00	2 - 33	6E0-14418-00	3 - 38	6E0-24412-00	3 - 28	6E0-42125-00	9 - 9	620-43189-00	10 - 32		
6E3-11422-00	2 - 33	624-14485-00	2 - 4	6E0-24413-00	3 - 25	6E0-42129-02	9 - 2	6E0-43311-04-4D	10 - 25		
6G1-11610-00	2 - 42	6E0-15100-01-1S	2 - 2	6E0-24423-00	3 - 29	6E4-42129-00	9 - 3	6E0-43312-02-4D	10 - 26		
6J1-11610-00	2 - 42	6E3-15100-02-1S	2 - 2	6E0-24434-00	3 - 32	6E0-42131-02-94	9 - 5	6E0-43313-00-94	10 - 31		
6E0-11631-00-98	2 - 41	6E0-15359-00-94	5 - 5	6E0-24435-00	3 - 27	6E0-42134-02	9 - 10	6E0-43614-00-5B	10 - 39		
6E3-11631-00-98	2 - 41	6E0-15396-03-5B	2 - 16	6E0-24471-00	3 - 26	6E0-42137-10	9 - 16	6E0-43632-00	10 - 30		
6G1-11633-00	2 - 44	6E0-15705-00	4 - 11		13 - 26	6E0-42138-01	9 - 21	6E4-44111-72-4D	9 - 25		
6E0-11651-01	2 - 37	6E0-15710-72-94	4 - 1	6E0-24500-00	7 - 19	6E0-42159-02	9 - 22	6E0-44116-00	9 - 29		
6G1-11681-00	2 - 34	6E4-15710-73-94	4 - 1	6E0-24500-10	7 - 19	6E0-42177-00	9 - 15	6E0-44121-00	9 - 33		
6E5-12411-01	2 - 46	6E4-15711-71-94	4 - 2	6E0-24500-60	7 - 38	6E0-42528-03	10 - 47	6E0-44143-00	9 - 35		
6E0-13610-00	3 - 1	6E0-15714-01	4 - 3	624-24521-01	7 - 39	6L5-42529-01	10 - 50	6E0-44143-10	9 - 35		
6J1-13610-00	3 - 1	6E0-15717-00	4 - 5	102-24522-01	7 - 40	6E0-42537-02	10 - 43	6E0-44145-00	9 - 38		
6E0-13621-A2	3 - 3	6E0-15723-00-94	5 - 2	6J1-24524-00	7 - 29	6E0-42538-02	10 - 44	6E0-44146-00	9 - 39		
	13 - 10	677-15741-01	4 - 9	6E0-24566-61	7 - 41	6E0-42539-00	10 - 45	6G1-44147-00	11 - 54		
6E0-14157-00	3 - 16	6E4-15746-70	4 - 23	6E3-24566-61	7 - 41	6E0-42542-00	7 - 11	6E0-44150-00	11 - 53		
6E0-14159-00	3 - 33	6E4-15747-70	4 - 26	6E0-24571-00	7 - 20	6E0-42549-00	10 - 46	6E0-44150-10	11 - 53		
6E0-14198-A0	3 - 34	656-15748-00	4 - 19	6E0-24572-00	7 - 22	6L5-42561-00	10 - 51	6E0-44191-11	1 - 9		
	13 - 11	6G1-15755-00	4 - 14	6E0-24575-01	7 - 23	6E0-42610-40-4D	1 - 1	6L5-44196-00	10 - 52		
	13 - 17	6E0-15758-01	4 - 15	6E0-24591-00	7 - 21	6E3-42610-40-4D	1 - 1	6L5-44197-00	10 - 53		
646-14198-01	3 - 10	6E3-15758-01	4 - 15	6E0-24591-10	7 - 21	6E4-42610-30-4D	1 - 1	6E0-44311-00	11 - 23		
	13 - 13	6E0-15761-00	4 - 16	6E0-24610-02	7 - 14	6E0-42615-00	1 - 2		13 - 36		
	13 - 20	6E4-15770-70	4 - 21	6YL-24610-00	12 - 2	6E1-42643-01	8 - 10	6E0-44315-A0	11 - 24		
646-14212-01	3 - 20	6E0-15772-71	4 - 22	6E0-24641-00	7 - 16	6E0-42647-01	1 - 3		13 - 32		
6E0-14227-00	3 - 17	6E4-15772-71	4 - 22	6E3-24641-00	7 - 16	6E0-42651-02	1 - 4		13 - 37		

NUMERICAL INDEX  
INDICE NUMERICO

PART NO. CODIGO NO.	REF. NO.	PART NO. CODIGO NO.	REF. NO.	PART NO. CODIGO NO.	REF. NO.	PART NO. CODIGO NO.	REF. NO.	PART NO. CODIGO NO.	REF. NO.	PART NO. CODIGO NO.	REF. NO.
6E0-81303-40	5 - 23	90170-16M35	7 - 28	90467-06016	2 - 10	93101-20M29	13 - 7	95895-06025	9 - 34		
6E0-81303-80	5 - 23	90185-08057	10 - 20		2 - 15	93102-20M25	5 - 15	95895-06035	10 - 28		
6E0-81328-70	5 - 13	90201-06M30	4 - 8	90467-08M01	11 - 36		13 - 3	97013-05020	9 - 6		
6E0-81336-70	5 - 12	90201-08M03	10 - 18	90467-08004	7 - 18	93210-12327	9 - 26	97013-06035	4 - 6		
6E0-82316-01-94	6 - 3	90201-08M54	11 - 52		7 - 45	93210-31MJ5	2 - 17	97080-06010	6 - 9		
6E0-82317-00	6 - 4	90201-10119	9 - 18		8 - 17		13 - 9	97095-06012	9 - 31		
6E3-82370-21	6 - 2	90201-10126	5 - 22	90468-07M02	2 - 48	93210-42159	5 - 16	97095-06016	2 - 19		
6G1-82370-21	6 - 2	90201-11M49	11 - 39	90468-10005	4 - 27		13 - 2		5 - 17		
663-82370-01	6 - 2	90201-13M50	11 - 42	90480-10M13	10 - 10	93210-48214	11 - 21		6 - 6		
682-82556-00	7 - 47	90201-32M48	2 - 40	90480-14M14	7 - 8		13 - 34		10 - 5		
	8 - 19	90202-05088	4 - 29		8 - 8	93306-004U0	11 - 6	97095-06025	11 - 16		
6E3-8257H-00	8 - 23	90202-07M22	9 - 13	90480-25161	6 - 8		11 - 19	97095-06030	10 - 3		
689-8257Y-00	7 - 48	90202-12M16	3 - 45	90501-10064	11 - 46	93306-204U0	2 - 35	97095-06045	11 - 30		
	8 - 20	90202-12M17	7 - 24	90501-10227	4 - 20	93310-112V0	2 - 43		13 - 42		
6E0-82575-00	7 - 46	90202-16061	9 - 28	90501-23215	9 - 17	93310-418V1	2 - 36	97780-40720	3 - 41		
	8 - 18	90206-12052	7 - 5	90502-08M05	10 - 49	93420-22M03	11 - 58	97880-05025	3 - 39		
6A1-83625-41	7 - 51		8 - 5	90508-14M10	10 - 40	93430-06M02	4 - 10		11 - 59		
6E0-83627-41	9 - 41	90206-16M06	9 - 27	90508-14M11	10 - 41	93450-13022	2 - 45	97885-04010	7 - 42		
6E0-85520-70	5 - 6	90209-18112	2 - 38	90508-16020	10 - 34	93604-09066	11 - 29	97885-05012	9 - 11		
6E0-85540-71	6 - 11	90243-04M01	10 - 16	90508-16021	10 - 35	93604-18080	11 - 31		9 - 23		
6E0-85548-00	6 - 10	90250-05046	11 - 44	90510-08M03	4 - 4		13 - 43	97885-06030	7 - 6		
6E0-85550-71	5 - 1	90266-04M00	1 - 5	91490-12010	9 - 12	93606-12019	2 - 6		8 - 6		
6E0-85560-70	5 - 4	90266-04M05	10 - 54	91490-16010	4 - 30		10 - 2	97890-04007	3 - 18		
6E0-85570-00	6 - 5	90269-02M09	9 - 20		9 - 37	93700-06M03	10 - 8	97890-05006	3 - 9		
6E0-85592-70	5 - 10	90280-04M06	5 - 20	91490-25030	11 - 51		10 - 27	97980-04116	3 - 8		
6E0-85595-70	5 - 8	90340-08002	11 - 11	91690-30008	10 - 38	94702-00040	2 - 49		13 - 19		
90101-06335	10 - 22	90386-12069	7 - 3	91790-05010	4 - 28	94702-00272	2 - 49	97980-04120	3 - 24		
90101-08M07	10 - 17		8 - 3	92903-05600	9 - 7	95303-06600	4 - 7	99001-06600	11 - 38		
90105-06M14	4 - 17	90386-26M30	9 - 4	92990-05600	3 - 40	95380-06600	10 - 24				
	5 - 3	90386-26M33	9 - 8		9 - 36	95380-06700	3 - 35				
90105-06M16	2 - 7	90387-06M11	10 - 21		11 - 60		7 - 7				
90105-06M17	2 - 8	90387-06M14	11 - 13	92990-06300	11 - 9		8 - 7				
90105-06035	2 - 29	90387-06504	4 - 24	92990-06600	10 - 23		9 - 30				
90105-06037	2 - 28	90430-08020	11 - 10	92995-06100	5 - 18		10 - 7				
90105-06039	2 - 23		13 - 30	92995-06600	2 - 20	95380-08600	10 - 48				
	2 - 30	90445-07M00	2 - 11		3 - 36	95627-06325	3 - 47				
90116-06M08	3 - 48	90445-07M28	2 - 12		6 - 7	95895-06010	10 - 42				
90119-06M18	4 - 25		2 - 14		9 - 32	95895-06012	11 - 8				
90119-06M40	11 - 12	90445-07M32	2 - 13		10 - 4	95895-06016	3 - 4				
90149-05M13	9 - 19	90445-09M27	7 - 31		10 - 6		6 - 1				
90157-05M16	12 - 5	90445-09M37	7 - 17		11 - 17		11 - 22				
90159-04M24	7 - 30	90445-09057	7 - 34	93101-10M14	11 - 5	95895-06020	4 - 18				
90159-04035	5 - 14		8 - 16		13 - 29		6 - 12				
90159-04036	5 - 9	90445-09072	7 - 43	93101-10M25	2 - 18		7 - 9				
90159-05037	5 - 11	90445-09082	7 - 44		13 - 8		8 - 9				
90159-05038	5 - 7	90464-09M21	7 - 37	93101-13M12	11 - 20		9 - 40				
90159-05040	5 - 24	90465-08M62	7 - 32		13 - 33		10 - 33				
90170-10113	5 - 21	90465-13M11	7 - 27	93101-20M29	2 - 39	95895-06025	7 - 12				

4AC/5C/5CS  
PARTS CATALOGUE  
©2002 by Yamaha Motor Co., Ltd.  
1st Edition, Aug. 2002  
All rights reserved.  
Any reprinting or unauthorized use  
without the written permission of  
Yamaha Motor Co., Ltd.  
is expressly prohibited.

4AC/5C/5CS  
CATALOGO DE REPUESTOS  
©2002, Yamaha Motor Co., Ltd.  
1ª edición, Ag. 2002  
Reservados todos los derechos.  
Se prohíbe expresamente toda reimpresión  
o utilización no autorizada de este manual  
sin el consentimiento por escrito de  
Yamaha Motor Co., Ltd.