

PARTS CATALOGUE

WaveRunner VX700 **VX700-P** (F3D5/6DUD/6DU1)



1PF3D-100E1

()

VX700-P
PARTS CATALOGUE
©2014 by Yamaha Motor Co., Ltd.
1st edition, June 2014
All rights reserved.
Any reprinting or unauthorized use
without the written permission of
Yamaha Motor Co., Ltd.
is expressly prohibited.
Printed in Japan.

FOREWORD

This Parts Catalogue is related to the parts for the model(s) on the cover page. When you are ordering replacement parts, please refer to this Parts Catalogue and quote both part numbers and part names correctly.

1. Modifications or additions which have been made after the issue of the Parts Catalogue will be announced in the Parts News.

It is advisable that you make the necessary corrections to the Parts Catalogue according to the Parts News.

2. Abbreviations

The following abbreviations are used in this Parts Catalogue.

“UR” Use specified parts number.

“UN” Use as many as needed.

“AP” Alternate Parts

“LM” Locally Made (Parts need to be ordered locally)

“F#” Frame No. (Applicable machine No.)

“O/S” Over Size

3. The number of components for assembly

- Parts, which are to be supplied in an assembly, are listed with a dot (.) in front of the part name as shown below.
- The numeral appearing to the right of each component part indicates the quantity of parts for each assembly unit.

PART NO.	DESCRIPTION	Q'TY	REMARKS
2F5-83310-60	FRONT FLASHER LIGHT ASSY	2	
115-83311-60	.BULB (6V-18W)	1	

4. Applicable colours of graphics are represented in the “REMARKS” as shown below.

PART NO.	DESCRIPTION	Q'TY	REMARKS
2N4-24110-00-X5	FUEL TANK COMP.	2	MXR
3J1-24240-10	.GRAPHIC, FUEL TANK	1	FOR MXR

5. Note that the illustrations for reference in finding parts numbers are not to be used for assembling. When assembling, please use the applicable service manual.

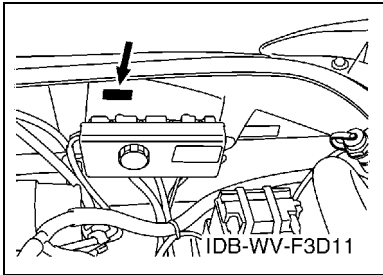
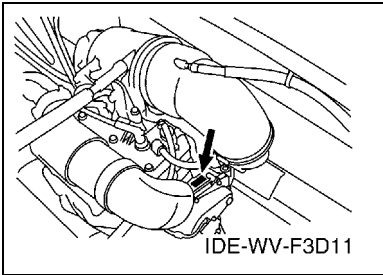
6. The asterisk (*) before a reference number indicates modified items after the first edition.

FOREWORD

7. Applicable Serial No.

Engine Serial No.

Primary Identification No.



8. Applicable Colour Code (The (*) mark shows Model colour.)

Abbreviation	Colour Name	Colour Code
NMC(*)	GRAY METALLIC C	008S
SS4	BLACK SOLID 4	008P
WC7(*)	WHITE COAT 7	GA7J

9. Quantity Column Information

Column No.	Name Of Q'ty Column	Destination
1	F3D5	OTHER

10. Applicable Starting Serial No.

Engine Serial No.

Serial No.	Name Of Q'ty Column	Model Code
6DU-1006579	F3D5	6DUD

Primary Identification No.

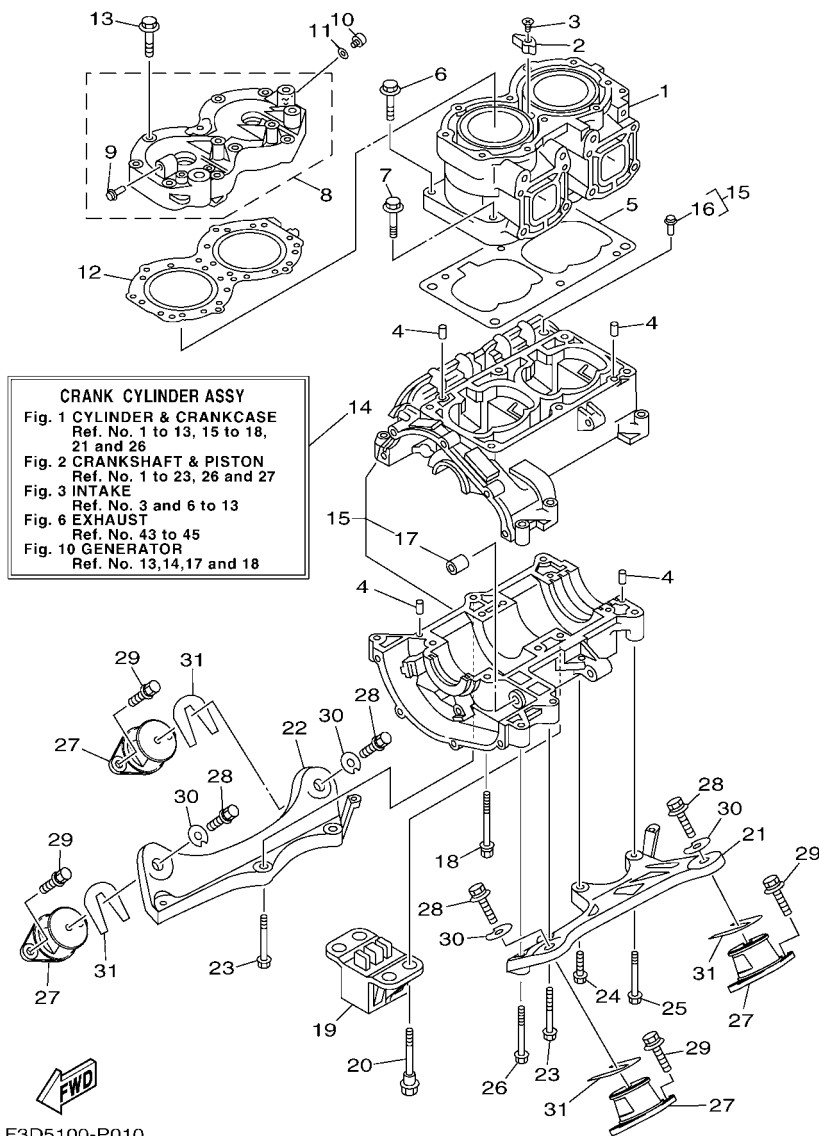
Serial No.	Name Of Q'ty Column	Model Code
F3D-403589	F3D5	F3D5

CONTENTS

CYLINDER & CRANKCASE	1
CRANKSHAFT & PISTON	3
INTAKE	5
CARBURETOR	7
OIL PUMP	9
EXHAUST 1	10
FUEL	13
JET UNIT 1	14
JET UNIT 2	16
GENERATOR	17
STARTING MOTOR	18
ELECTRICAL 1	19
ELECTRICAL 2	21
ENGINE HATCH 1	23
ENGINE HATCH 2	24
HULL & DECK	26
GUNWALE & MAT	28
VENTILATION	29
SEAT & UNDER LOCKER	30
OIL TANK	31
FUEL TANK	32
EXHAUST 2	34
CONTROL CABLE	35
STEERING 1	36
STEERING 2	38
GRAPHICS	39
IMPORTANT LABELS	40
REPAIR KIT 1	41
REPAIR KIT 2	42

INDEX

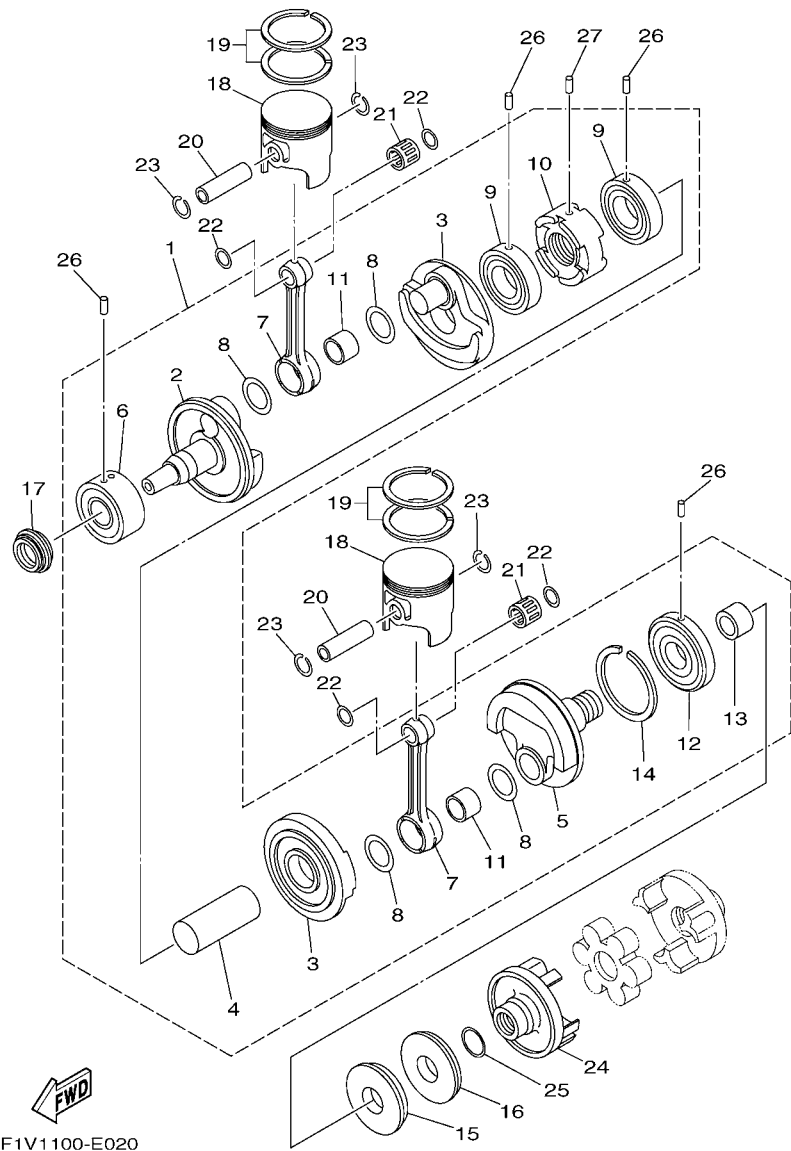
NUMERICAL INDEX	43
-----------------------	----



F3D5100-P010

FIG. 1 CYLINDER & CRANKCASE

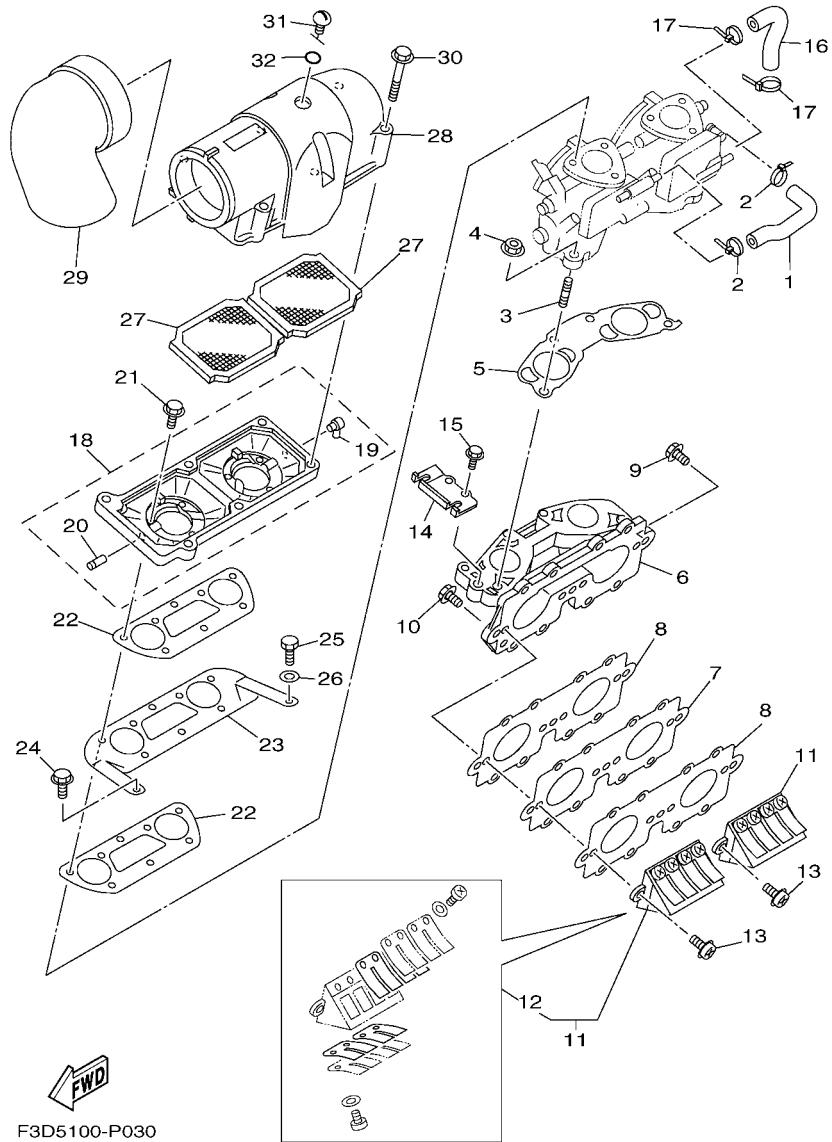
REF. NO.	PART NO.	DESCRIPTION	F3D5				REMARKS
1	62T-11311-00-8S	CYLINDER 1	1				
2	6E5-11325-00	ANODE	1				
3	98780-04015	SCREW, FLAT HEAD	1				
4	93606-12019	PIN, DOWEL	4				
5	6M6-11351-A2	GASKET, CYLINDER	1				
6	90119-10M56	BOLT, WITH WASHER	4				
7	90119-10M07	BOLT, WITH WASHER	2				
8	62T-11111-00-8S	HEAD, CYLINDER 1	1				
9	6K8-51129-00	.NIPPLE	1				
10	90340-08002	PLUG, STRAIGHT SCREW	1				
11	90430-08020	GASKET	1				
12	62T-11181-01	GASKET, CYLINDER HEAD 1	1				
13	90119-08M96	BOLT, WITH WASHER	10				
14	62T-W0090-03-8S	CRANK CYLINDER ASSY	1				
15	62T-15100-00-8S	CRANKCASE ASSY	1				
16	62T-14251-10	.NIPPLE	1				
17	90380-12M29	.BUSH, SOLID	1				
18	90119-08M55	BOLT, WITH WASHER	4				
19	6CP-44532-00	STOPPER, UPPER MOUNT	1				
20	90109-08M56	BOLT	4				
21	6R7-21415-01-94	BRACKET, FRONT UPPER 1	1				
22	6R7-21425-01-94	BRACKET, REAR UPPER 1	1				
23	90119-10M02	BOLT, WITH WASHER	4				
24	90119-10M00	BOLT, WITH WASHER	1				
25	90119-10M03	BOLT, WITH WASHER	1				
26	90119-10M01	BOLT, WITH WASHER	1				
27	62E-44517-A1-8P	MOUNT RUBBER	4				



F1V1100-E020

FIG. 2 CRANKSHAFT & PISTON

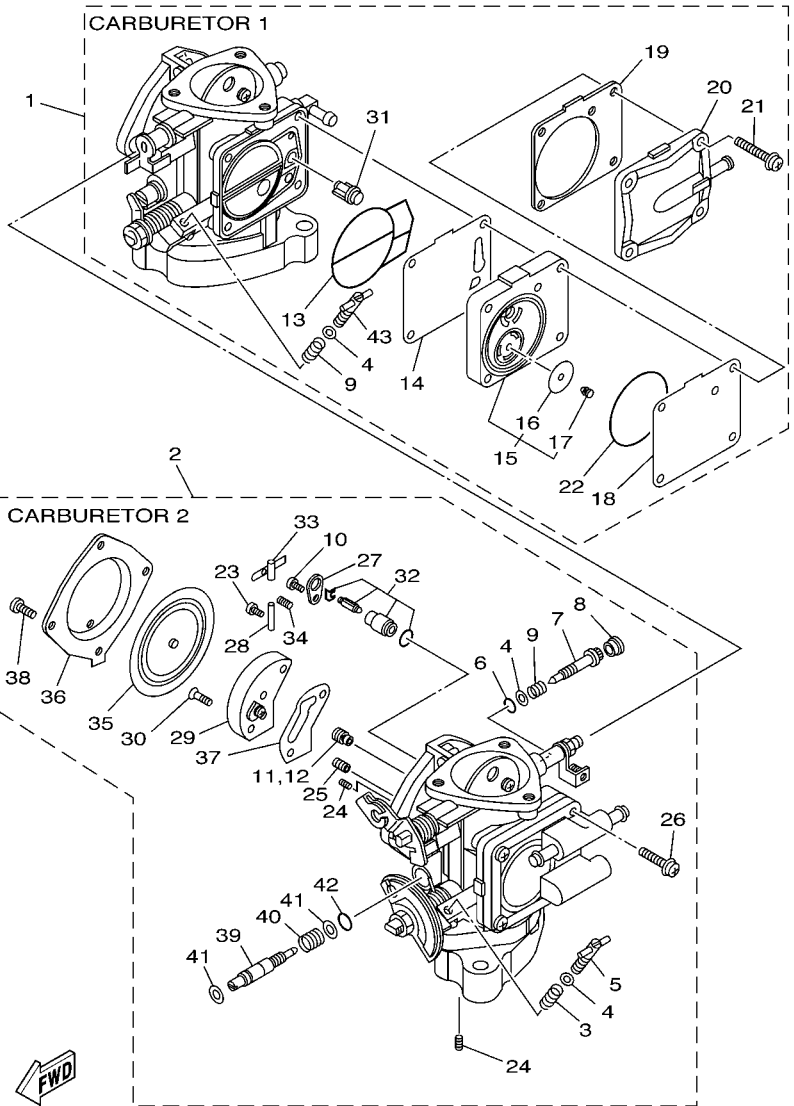
REF. NO.	PART NO.	DESCRIPTION	F3D5				REMARKS
1	62T-11400-02	CRANKSHAFT ASSY	1				
2	6M6-11412-00	.CRANK 1	1				
3	6M6-11422-00	.CRANK 2	2				
4	6M6-11431-10	.CRANK 3	1				
5	6M6-11442-01	.CRANK 4	1				
6	93305-30601	.BEARING	1				
7	64X-11651-01	.ROD, CONNECTING	2				
8	82M-11685-00	.WASHER, CRANK PIN	4				
9	93306-207U2	.BEARING	2				
10	65U-11515-00	.SEAL, LABYRINTH 1	1				
11	93310-525U3	.BEARING	2				
12	93306-307U3	.BEARING	1				
13	62T-45526-00	.COLLAR, DRIVE SHAFT	1				
14	93440-80023	.CIRCLIP	1				
15	93102-36M33	OIL SEAL	1				
16	93101-36M46	OIL SEAL	1				
17	93103-32M01	OIL SEAL	1				
18	62T-11631-02-92	PISTON (STD)	2				
	62T-11635-02	PISTON (0.25MM O/S)	1				AP
	62T-11636-02	PISTON (0.50MM O/S)	1				AP
19	61X-11603-01	PISTON RING SET (STD)	4				
	61X-11604-01	PISTON RING SET (0.25MM O/S)	1				AP
	61X-11605-01	PISTON RING SET (0.50MM O/S)	1				AP
20	62T-11633-00	PIN, PISTON	2				
21	93310-320U2	BEARING	2				
22	90201-20M04	WASHER, PLATE	4				
23	93450-21053	CIRCLIP	4				



F3D5100-P030

FIG. 3 INTAKE

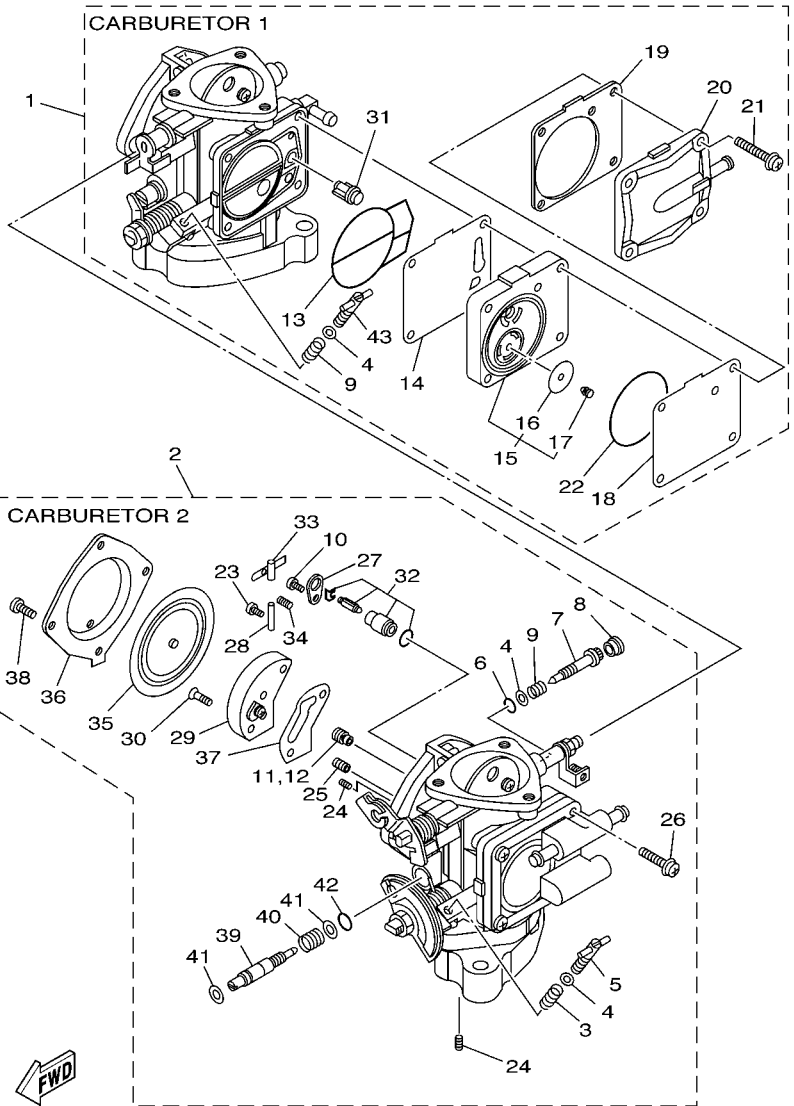
REF. NO.	PART NO.	DESCRIPTION	F3D5				REMARKS
1	62T-24313-01	PIPE 3	1				
2	90465-11M10	CLAMP	2				
3	90116-08M60	BOLT, STUD	4				
4	90179-08M15	NUT	4				
5	62T-13556-00	GASKET, MANIFOLD	1				
6	62T-13555-00-94	MANIFOLD, INTAKE	1				
7	62T-13624-00	PLATE, REED VALVE	1				
8	62T-13566-00	GASKET	2				
9	97513-06535	BOLT, WITH WASHER	3				
10	97513-06525	BOLT, WITH WASHER	8				
11	62T-13610-00	REED VALVE ASSY	2				
12	62T-W0004-00	.REED SET	1				
13	97980-05216	SCREW, WITH WASHER	4				
14	62T-14527-02	PLATE	1				
15	97513-06516	BOLT, WITH WASHER	2				
16	62T-24314-01	PIPE 4	1				
17	90465-11M10	CLAMP	2				
18	62T-14284-01-8S	COVER, CARBURETOR 2	1				
19	6E5-11372-01	.NIPPLE, HOSE	1				
20	6H1-14485-00	.PIPE, JOINT	1				
21	97513-06520	BOLT, WITH WASHER	6				
22	62T-13674-00	GASKET, AIR COOLER COVER 1	2				
23	62T-14255-00	PLATE	1				
24	97513-06512	BOLT, WITH WASHER	1				
25	90109-06M66	BOLT	1				
26	90201-06M31	WASHER, PLATE	1				
27	62T-14451-00	ELEMENT, AIR CLEANER	2				



F0M5100-0040

FIG. 4 CARBURETOR

REF. NO.	PART NO.	DESCRIPTION	F3D5				REMARKS
1	62T-14301-03	CARBURETOR ASSY 1	1				
2	62T-14302-03	CARBURETOR ASSY 2	1				
3	47X-14133-00	.SPRING, THROTTLE STOP	1				CARBURETOR 2
4	812-14235-00	.WASHER, NEEDLE	4				
5	6M6-14521-00	.SCREW, ADJUST	1				CARBURETOR 2
6	812-14147-00	.O-RING	2				
7	6K8-14946-10	.METERING NEEDLE	2				
8	6K8-14471-10	.CAP, CARBURETOR	2				
9	3KW-14932-00	.SPRING, THROTTLE 2	3				
10	6M6-14503-00	.SCREW	2				
11	3G2-14231-26	.JET, MAIN (#130)	1				CARBURETOR 1
12	3G2-14231-24	.JET, MAIN (#120)	1				CARBURETOR 2
13	6K8-14564-00	.O-RING	2				
14	6K8-24411-20	.DIAPHRAGM	1				CARBURETOR 1
15	6M6-24413-01	.BODY 2	1				CARBURETOR 1
16	65U-24421-00	..VALVE, CHECK	2				CARBURETOR 1
17	65U-24492-00	..BUSH, FUEL PUMP	2				CARBURETOR 1
18	6K8-24421-10	.VALVE, CHECK	1				CARBURETOR 1
19	6K8-24431-20	.GASKET, FUEL PUMP 1	1				CARBURETOR 1
20	6K8-24452-10	.COVER	1				UR CARBURETOR 1
	62T-14293-00	.COVER 1	1				UR CARBURETOR 2
21	97980-05330	.SCREW, WITH WASHER	4				CARBURETOR 1
22	6K8-14563-00	.O-RING	1				CARBURETOR 1
23	6K8-14503-02	.SCREW	2				
24	6K8-14521-10	.SCREW	4				
25	830-1423A-64	.JET, MAIN (# 67.5)	2				
26	98580-05018	.SCREW, PAN HEAD	4				CARBURETOR 2



FOM5100-0040

FIG. 4 CARBURETOR

REF. NO.	PART NO.	DESCRIPTION	F3D5				REMARKS
27	6K8-14527-11	.PLATE	2				
28	439-14186-00	.PIN, FLOAT	2				
29	6R7-24412-01	.BODY 1	2				
30	6K8-14523-11	.SCREW, STOP	4				
31	6R7-14569-00	.STRAINER	2				
32	61X-14916-16	.JET NEEDLE COMP.	2				
33	6K8-14547-01	.ARM, FLOAT	2				
34	6R7-14253-00	.SPRING	2				
35	6R7-14541-00	.DIAPHRAGM, PUMP	2				
36	6R7-14542-00	.BODY, PUMP 1	2				
37	6K8-14536-11	.GASKET	2				
38	97880-05012	.SCREW, PAN HEAD	8				
39	65U-14923-10	.SCREW, PILOT	2				
40	6K8-14589-00	.SPRING	2				
41	822-14235-00	.WASHER, NEEDLE	4				
42	583-14561-00	.O-RING	2				
43	6K8-14521-00	.SCREW, ADJUST	1				CARBURETOR 1

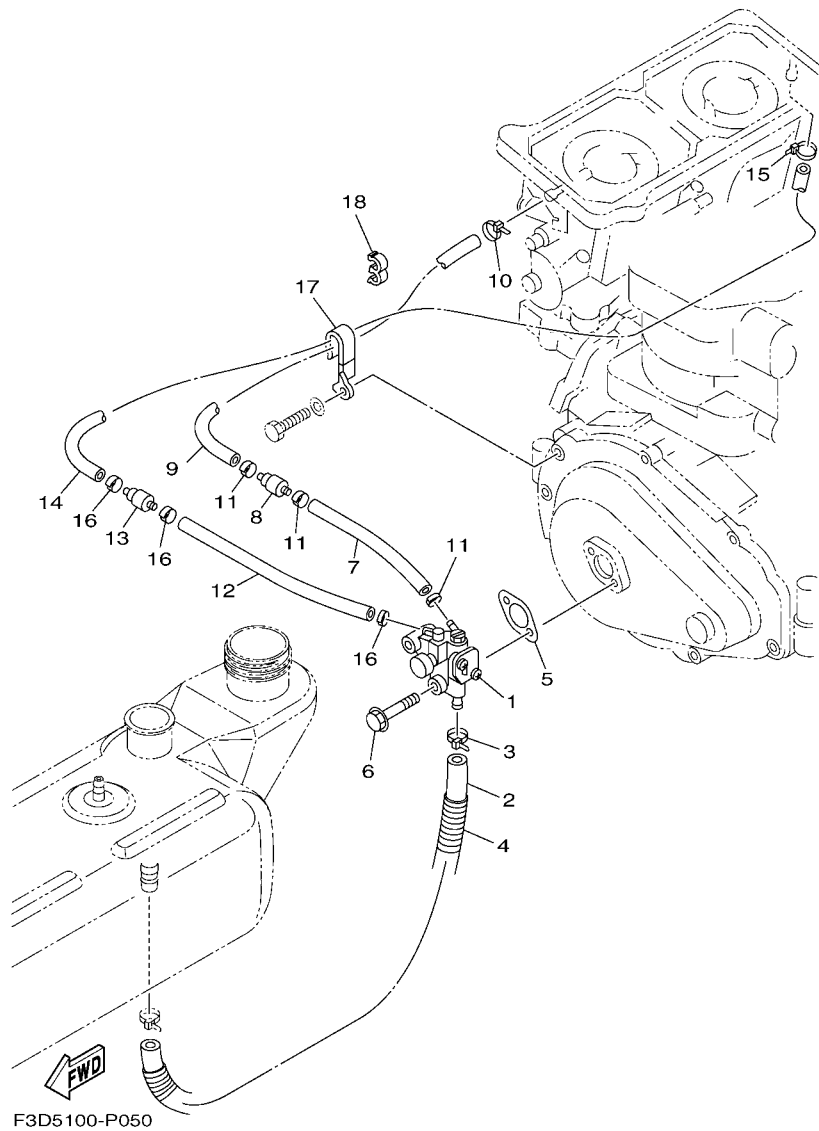
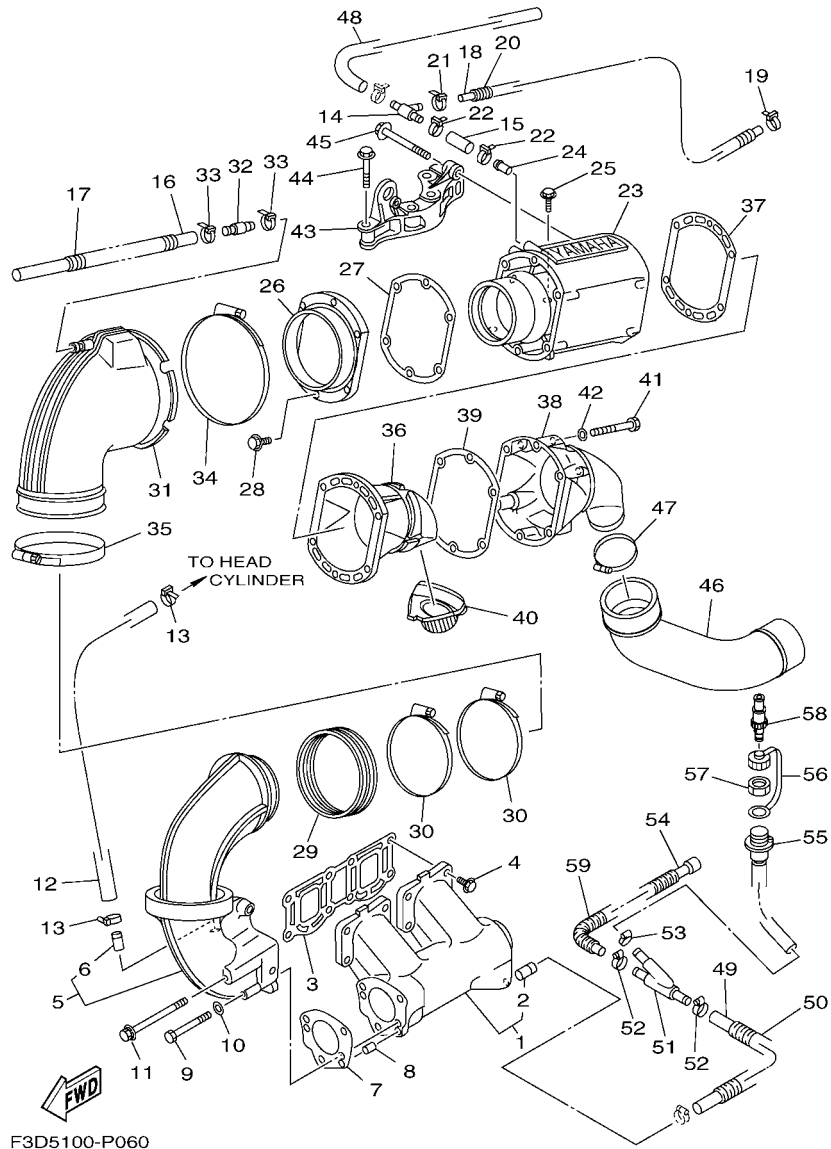


FIG. 5 OIL PUMP

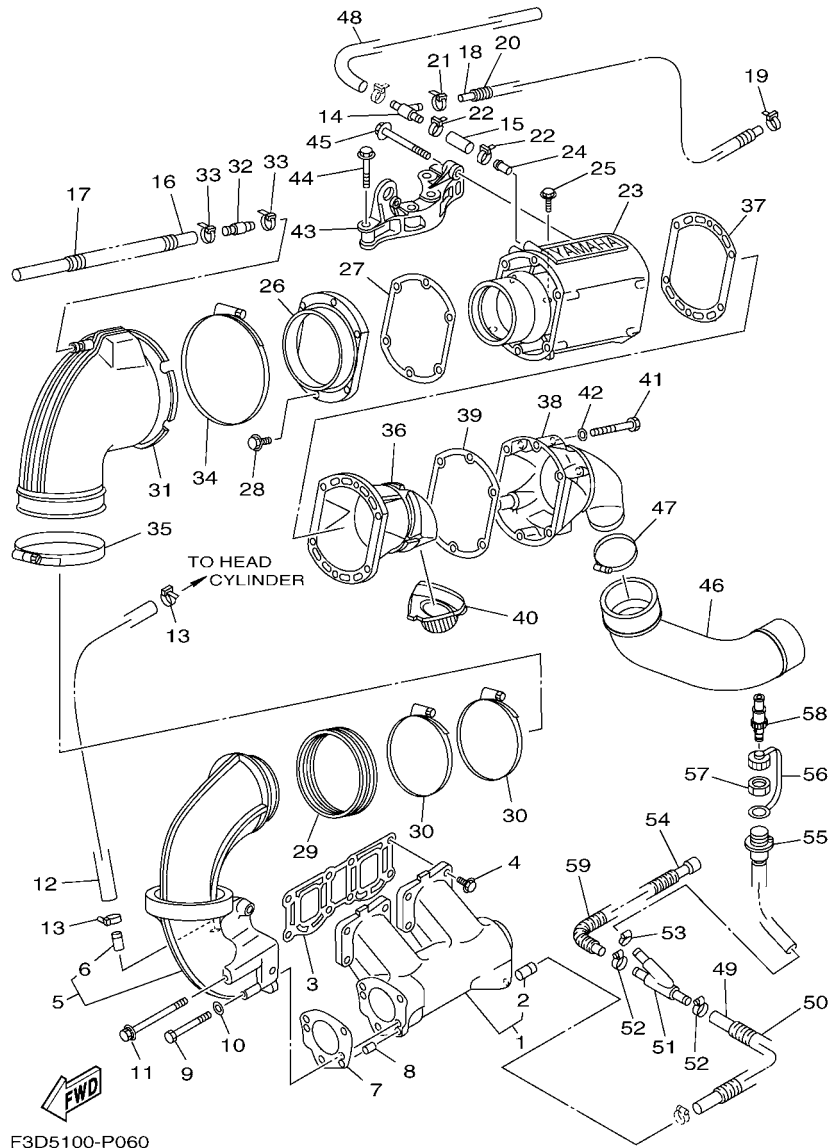
REF. NO.	PART NO.	DESCRIPTION	F3D5				REMARKS
1	61X-13200-12	OIL INJECTION PUMP ASSY	1				
2	90445-11M34	HOSE (L480)	1				
3	90465-11M10	CLAMP	1				
4	90446-17MF0	HOSE (L400)	1				
5	6R8-13116-A0	GASKET, PUMP CASE	1				
6	97595-06535	BOLT, WITH WASHER	2				
7	90445-07009	HOSE (L85)	1				
8	67X-13183-00	VALVE, CHECK	1				
9	90446-07M18	HOSE (L210)	1				
10	90465-11M10	CLAMP	1				
11	90468-02001	CLIP	3				
12	90445-07008	HOSE (L70)	1				
13	67X-13183-00	VALVE, CHECK	1				
14	90446-07M48	HOSE (L450)	1				
15	90465-11M10	CLAMP	1				
16	90468-02001	CLIP	3				
17	90465-08M69	CLAMP	1				
18	90464-10M38	CLAMP	2				



F3D5100-P060

FIG. 6 EXHAUST 1

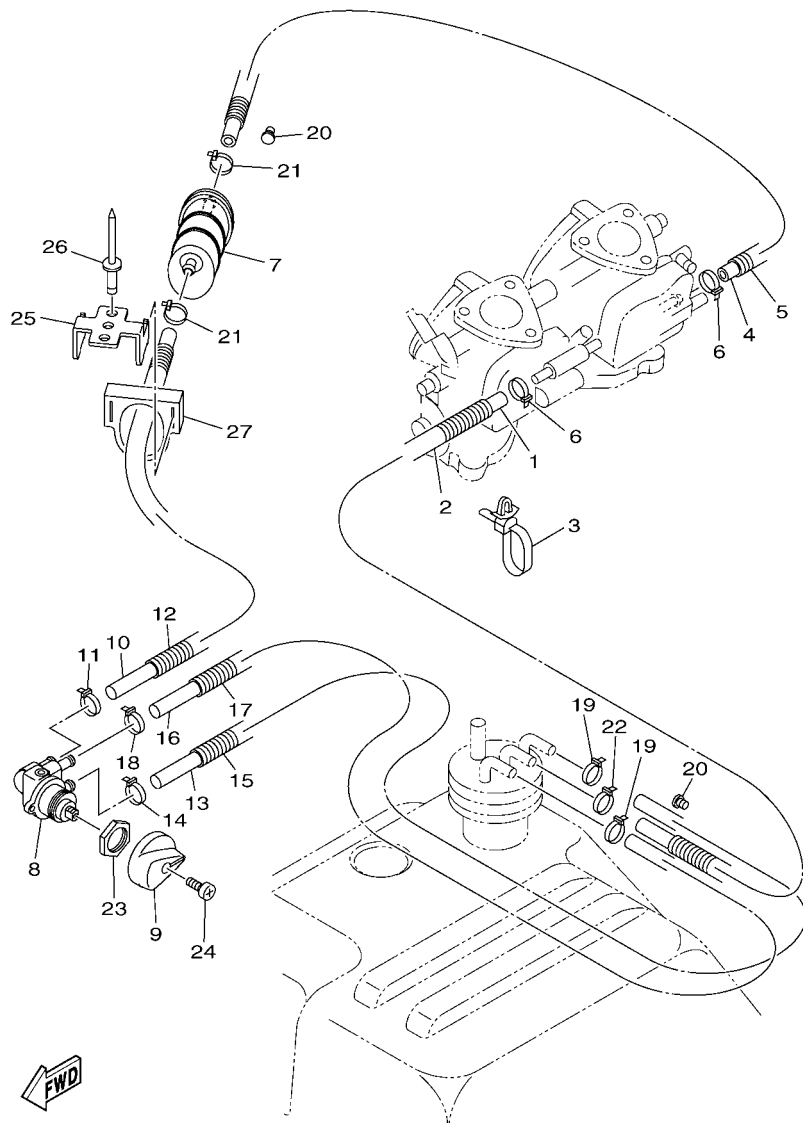
REF. NO.	PART NO.	DESCRIPTION	F3D5				REMARKS
1	62T-14711-10-94	MUFFLER 1	1				
2	6K8-51129-00	.NIPPLE	1				
3	62T-14613-01	GASKET, EXHAUST PIPE	1				
4	90105-10M60	BOLT, FLANGE	8				
5	62T-14712-00-94	RING, JOINT	1				
6	6K8-51129-00	.NIPPLE	1				
7	62T-14749-02	GASKET, MUFFLER DAMPER 2	1				
8	93605-12M21	PIN, DOWEL	2				
9	97013-08075	BOLT	2				
10	92903-08600	WASHER, PLATE	2				
11	90119-08M11	BOLT, WITH WASHER	2				
12	90445-14M24	HOSE (L260)	1				
13	90465-11M10	CLAMP	2				
14	63N-24378-00	PIPE, JOINT 3	1				
15	90445-21010	HOSE (L70)	1				
16	90445-14M07	HOSE (L1070)	1				
17	90447-15004	TUBE (L970)	1				
18	90445-14M25	HOSE (L380)	1				
19	90465-11M10	CLAMP	1				
20	90446-20M31	HOSE (L340)	1				
21	90465-11M10	CLAMP	1				
22	90465-11M59	CLAMP	2				
23	62T-14721-00-8S	MUFFLER 2	1				
24	62T-14485-10	PIPE, JOINT	1				
25	90105-10M60	BOLT, FLANGE	2				
26	62T-41113-00-8S	OUTER COVER, EXHAUST	1				
27	62T-41114-01	GASKET, EXHAUST OUTER COVER	1				



F3D5100-P060

FIG. 6 EXHAUST 1

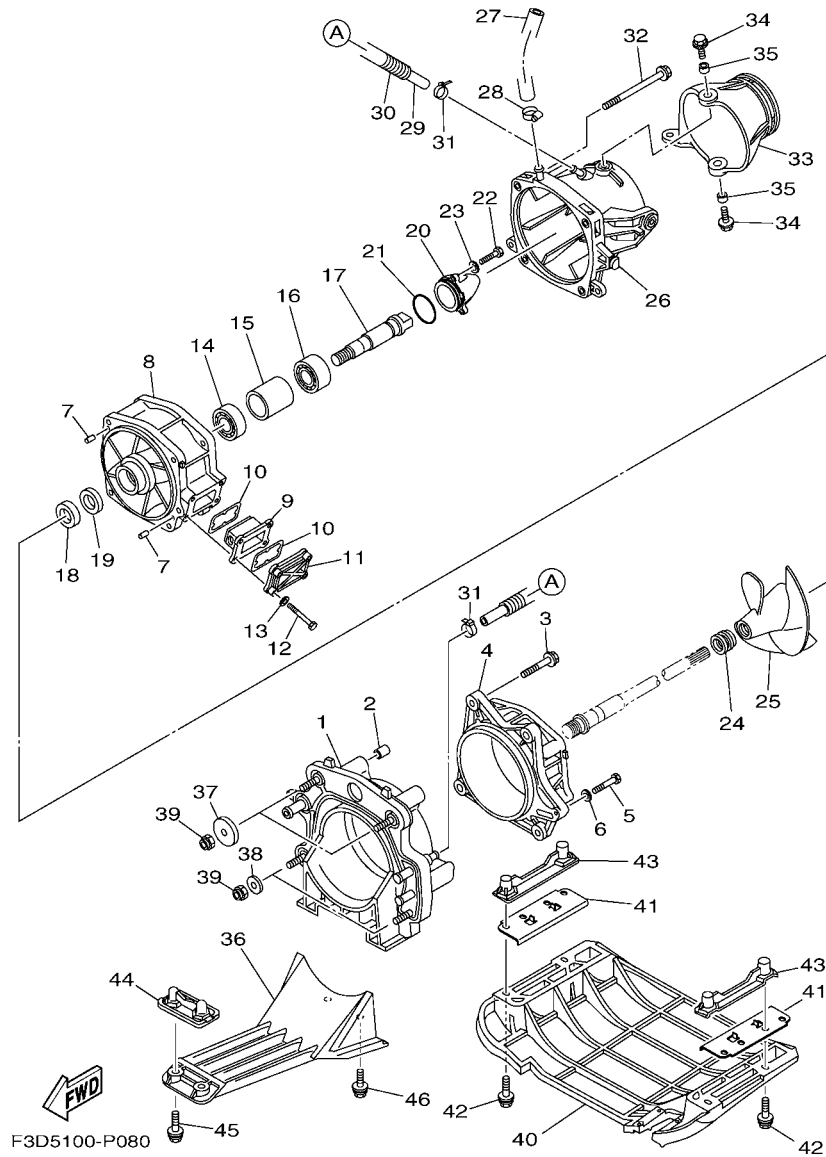
REF. NO.	PART NO.	DESCRIPTION	F3D5				REMARKS
28	97513-06525	BOLT, WITH WASHER	6				
29	62T-14625-00	JOINT, EXHAUST 2	1				
30	90450-99M06	HOSE CLAMP ASSY	2				
31	62T-14615-01	JOINT, EXHAUST 1	1				
32	6R3-24377-00	PIPE, JOINT 2	1				
33	90465-11M10	CLAMP	2				
34	90450-99M01	HOSE CLAMP ASSY	1				
35	90450-99M02	HOSE CLAMP ASSY	1				
36	62T-41121-00-8S	INNER COVER, EXHAUST	1				
37	62T-41122-00	GASKET, EXHAUST INNER COVER	1				
38	62T-41123-01-8S	OUTER COVER, EXHAUST	1				
39	62T-41124-00	GASKET, EXHAUST OUTER COVER	1				
40	63N-15761-00	SEAL, RUBBER 1	1				
41	97013-06070	BOLT	6				
42	92903-06600	WASHER, PLATE	6				
43	62T-14771-00-94	STAY, MUFFLER 1	1				
44	90119-10M17	BOLT, WITH WASHER	4				
45	90105-10M88	BOLT, FLANGE	2				
46	6AE-14752-00	PIPE, OUTLET	1				
47	90460-70M16	CLAMP, HOSE	1				
48	90445-21009	HOSE (L1030)	1				
49	90445-14M14	HOSE (L330)	1				
50	90446-20M13	HOSE (L260)	1				
51	64X-12581-00	JOINT, HOSE 1	1				
52	90450-14M05	HOSE CLAMP ASSY	2				
53	90450-18M09	HOSE CLAMP ASSY	1				
54	6AE-12564-00	PIPE, WATER	1				



F3D5100-P070

FIG. 7 FUEL

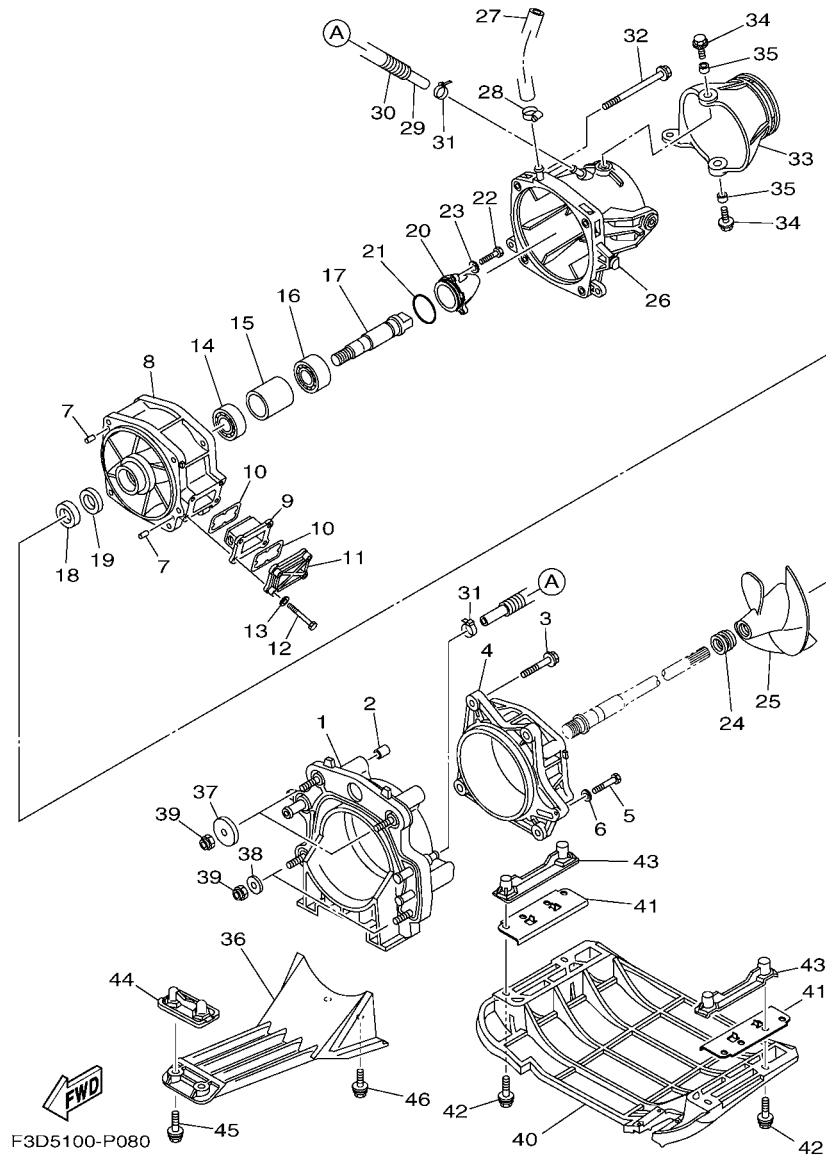
REF. NO.	PART NO.	DESCRIPTION	F3D5				REMARKS
1	6DU-24313-10	PIPE 3	1				
2	90446-17MA6	HOSE (L700)	1				
3	90465-12M56	CLAMP	1				
4	6DU-24312-10	PIPE 2	1				
5	90447-13016	TUBE	1				
6	90465-11M10	CLAMP	2				
7	6K8-24560-21	FILTER ASSY	1				
8	6K8-24500-02	FUEL COCK ASSY 1	1				
9	6K8-24524-10	LEVER, COCK	1				
10	6DU-24314-20	PIPE 4	1				
11	90465-11M10	CLAMP	1				
12	90447-13002	TUBE (L530)	1				
13	90445-10MG1	HOSE (L600)	1				
14	90465-11M10	CLAMP	1				
15	90446-17MF0	HOSE (L400)	1				
16	90445-10MG3	HOSE (L600)	1				
17	90446-17MF0	HOSE (L400)	1				
18	90465-11M10	CLAMP	1				
19	90465-11M10	CLAMP	2				
20	703-82119-00	COVER, LEAD WIRE	2				
21	90465-11M10	CLAMP	2				
22	90465-11M10	CLAMP	1				
23	90170-22187	NUT	1				
24	98980-04008	SCREW, BIND	1				
25	EU0-67816-30	BRACKET, FUEL FILTER	1				
26	90267-48020	RIVET, BLIND	2				
27	EU0-67817-00	HOLDER	1				



F3D5100-P080

FIG. 8 JET UNIT 1

REF. NO.	PART NO.	DESCRIPTION	F3D5				REMARKS
1	6DU-45831-00	PLATE, TRANSM	1				
2	99590-14016	PIN, DOWEL	2				
3	90119-10024	BOLT, WITH WASHER	4				
4	66V-51312-01-94	HOUSING, IMPELLER	1				
5	97095-06030	BOLT	1				
6	92995-06600	WASHER	1				
7	93606-12019	PIN, DOWEL	2				
8	66V-51315-01-94	DUCT, IMPELLER	1				
9	66V-46882-00	FILTER	1				
10	66V-42414-00	O-RING	2				
11	66V-45214-00-94	COVER, WATER INLET 1	1				
12	97095-06035	BOLT	4				
13	92995-06600	WASHER	4				
14	93306-27211	BEARING	1				
15	65V-45538-00	SPACER 1	1				
16	93306-205U0	BEARING	1				
17	6D3-45514-00	SHAFT, DRIVE 4	1				
18	93101-21001	OIL SEAL	1				
19	93101-21002	OIL SEAL	1				
20	62T-51326-10	CAP	1				
21	93210-464A3	O-RING	1				
22	97095-06020	BOLT	3				
23	92995-06600	WASHER	3				
24	6D3-R1319-00	CAP, IMPELLER	1				
25	6AE-R1321-00	IMPELLER	1				
26	6BU-R1318-01	NOZZLE	1				
27	90445-16006	HOSE (L260)	1				



F3D5100-P080

FIG. 8 JET UNIT 1

REF. NO.	PART NO.	DESCRIPTION	F3D5				REMARKS
28	90450-20078	HOSE CLAMP ASSY	1				
29	90445-14008	HOSE (L355)	1				
30	90446-20MF5	HOSE (L320)	1				
31	90465-11M10	CLAMP	2				
32	90119-10055	BOLT, WITH WASHER	4				
33	6BU-R1313-00	NOZZLE, DEFLECTOR	1				
34	90119-08161	BOLT, WITH WASHER	2				
35	90387-08M06	COLLAR	2				
36	6D3-R1333-01	SCREEN, INTAKE	1				
37	F1S-U725E-01	WASHER	2				
38	90201-10801	WASHER, PLATE	2				
39	95720-10300	NUT	4				
40	F2N-U273B-00	PLATE 2	1				
41	F2M-6143G-A0	SPACER	2				
42	90119-08823	BOLT, WITH WASHER	4				
43	F1G-U8572-02	BRACKET 2	2				
44	F1K-U8577-01	BRACKET, 3	1				
45	90119-06895	BOLT, WITH WASHER	2				
46	90119-10808	BOLT, WITH WASHER	2				

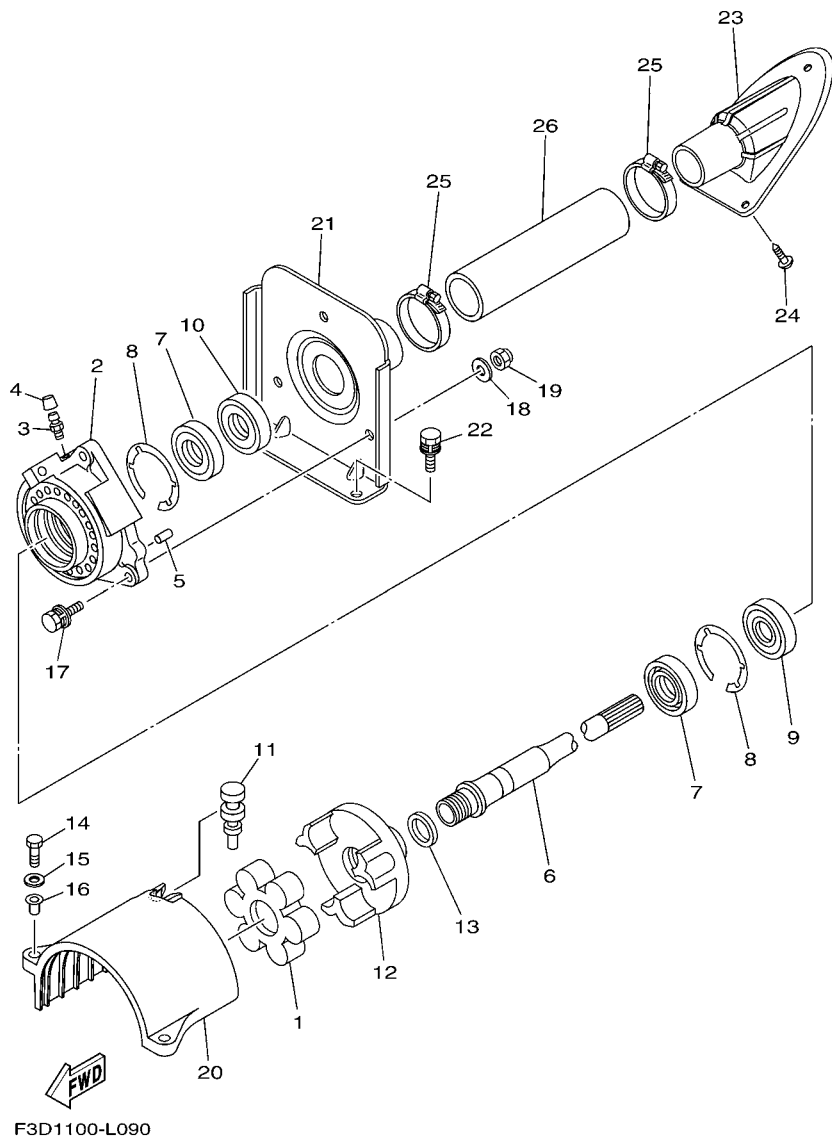
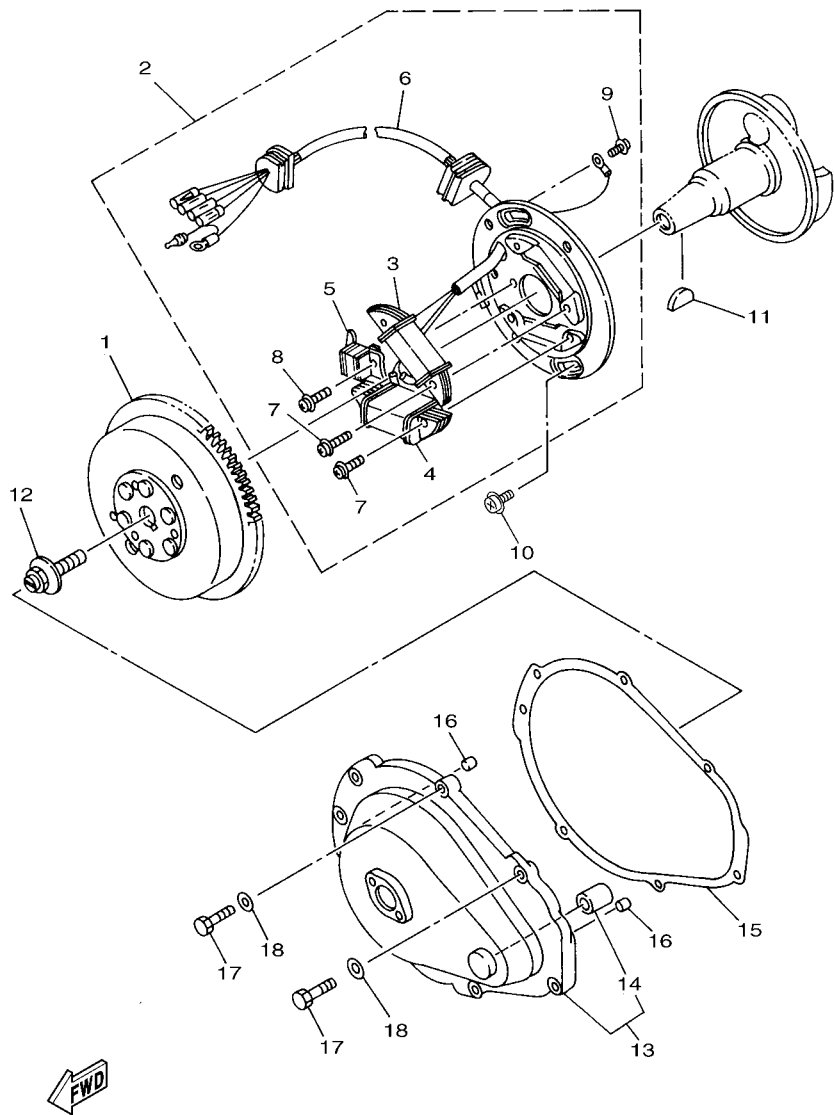


FIG. 9 JET UNIT 2

REF. NO.	PART NO.	DESCRIPTION	F3D5				REMARKS
1	61X-4581J-00	RUBBER SHAFT COUPLING	1				
2	66G-45332-00-94	HOUSING, BEARING	1				
3	93700-06M03	NIPPLE, GREASE	1				
4	663-45119-00	CAP, GREASE NIPPLE	1				
5	93606-12019	PIN, DOWEL	2				
6	6BU-45511-00	SHAFT, DRIVE	1				
7	93101-25M55	OIL SEAL	2				
8	93430-47M04	CIRCLIP	2				
9	93306-205A3	BEARING	1				
10	93102-25009	OIL SEAL	1				
11	90480-06M46	GROMMET	1				
12	6M6-45813-22-8P	FLANGE, COUPLING	1				
13	90201-24M02	WASHER, PLATE	1				
14	97095-06025	BOLT	2				
15	92995-06600	WASHER	2				
16	90387-06289	COLLAR	2				
17	90119-08942	BOLT, WITH WASHER	3				
18	92990-08200	WASHER, PLAIN	3				
19	95720-08300	NUT, SELF-LOCKING	3				
20	6DU-51381-00	COVER	1				
21	F3D-68571-00	BRACKET 1	1				
22	90119-08965	BOLT, WITH WASHER	2				
23	F3D-6883E-00	JOINT, PIPE	1				
24	97780-50220	SCREW, TAPPING	3				
25	90601-15041	BAND, HOSE 50	2				
26	F3D-6883B-00	PIPE, 1	1				



F3D5100-P100

FIG. 10 GENERATOR

REF. NO.	PART NO.	DESCRIPTION	F3D5				REMARKS
1	62T-85550-00	ROTOR ASSY	1				
2	62T-85560-00	BASE ASSY	1				
3	62T-85520-01	.COIL, CHARGE	1				
4	62T-85533-00	.COIL, LIGHTING	1				
5	6M6-85580-00	.COIL, PULSER	1				
6	62T-85515-00	.LEAD WIRE ASSY	1				
7	97902-05125	.SCREW, WITH WASHER	4				
8	97902-04122	.SCREW, WITH WASHER	2				
9	97802-04008	.SCREW, PAN HEAD	1				
10	97980-06216	SCREW, WITH WASHER	2				
11	90280-05013	KEY, WOODRUFF	1				
12	90109-10M47	BOLT	1				
13	6R8-81337-00-8S	COVER, FLYWHEEL	1				
14	90380-12M29	.BUSH, SOLID	1				
15	6M6-81365-A0	GASKET, HOLE COVER	1				
16	93606-12019	PIN, DOWEL	2				
17	97095-06025	BOLT	7				
18	92995-06600	WASHER	7				

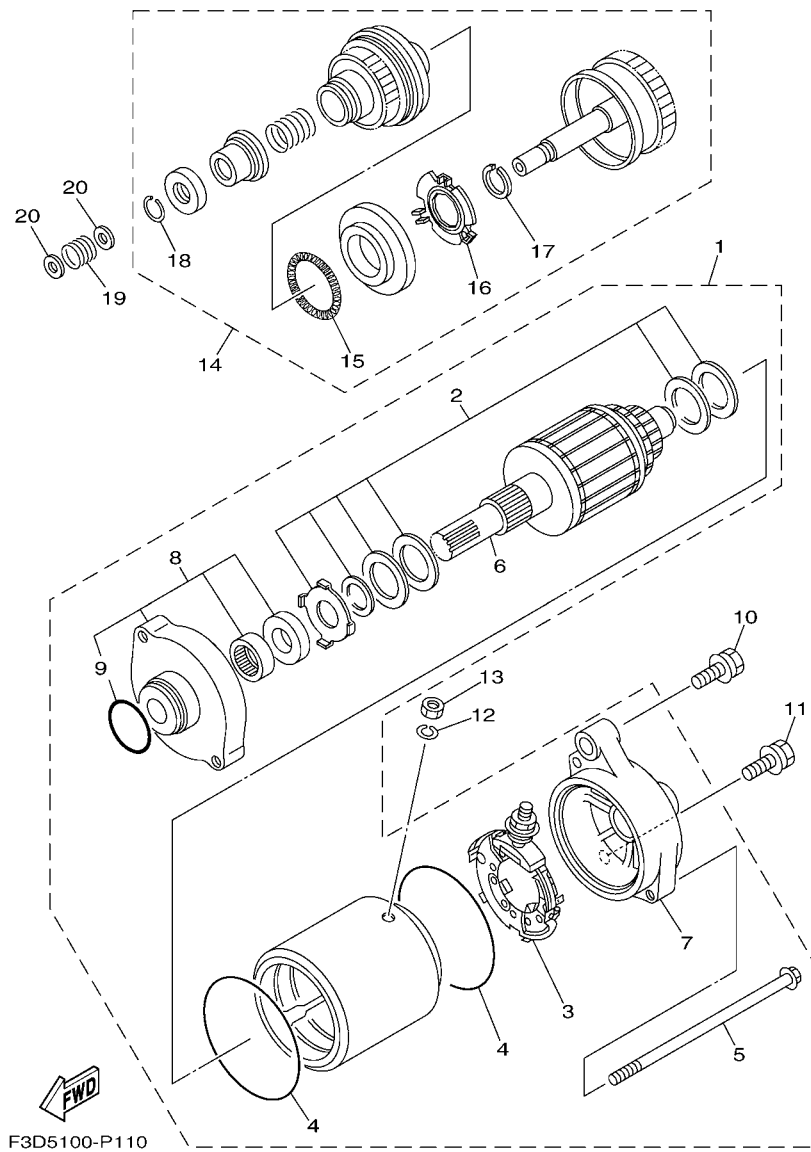
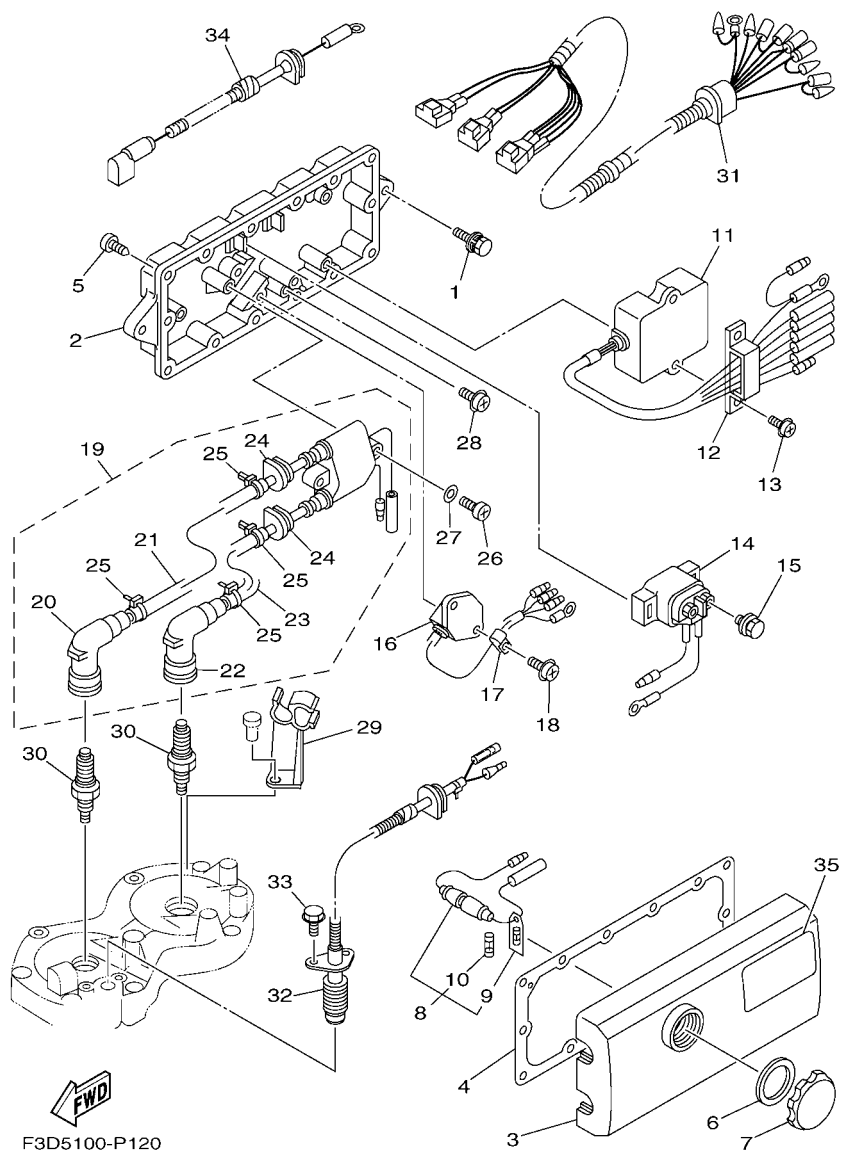


FIG. 11 STARTING MOTOR

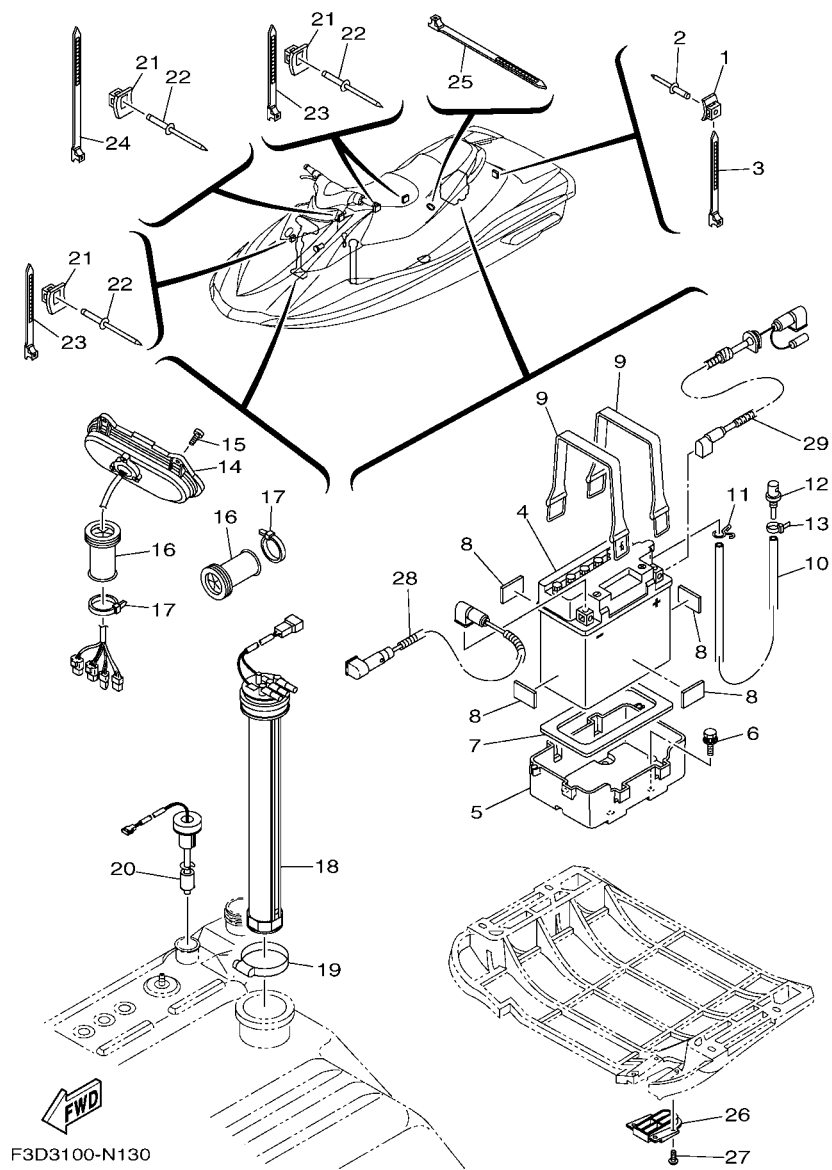
REF. NO.	PART NO.	DESCRIPTION	F3D5				REMARKS
1	6M6-81800-10	STARTING MOTOR ASSY	1				
2	3AJ-81809-00	.WASHER KIT	1				
3	6M6-81840-10	.BRUSH HOLDER ASSY	1				
4	11H-81844-00	.GASKET	2				
5	6M6-81826-00	.BOLT	2				
6	6M6-81850-00	.ARMATURE ASSY	1				
7	6M6-81820-00	.REAR BRACKET ASSY	1				
8	6M6-81830-00	.FRONT BRACKET ASSY	1				
9	26H-81847-00	..O-RING	1				
10	97513-08540	BOLT, WITH WASHER	1				
11	97513-08535	BOLT, WITH WASHER	1				
12	92990-06100	WASHER, SPRING	1				
13	95380-06700	NUT	1				
14	6M6-8183E-01	IDLE GEAR COMP.	1				
15	6M6-81866-00	.WEIGHT SPRING	1				
16	6M6-81865-00	.WEIGHT HOLDER	1				
17	93440-25M08	.CIRCLIP	1				
18	93450-18M06	.CIRCLIP	1				
19	90501-14M73	SPRING, COMPRESSION	1				
20	92903-06600	WASHER, PLATE	2				

FIG. 12 ELECTRICAL 1



F3D5100-P120

REF. NO.	PART NO.	DESCRIPTION	F3D5				REMARKS
1	90119-08965	BOLT, WITH WASHER	2				
2	62L-8552A-00-8P	HOUSING	1				
3	6M6-8552E-01	COVER, CASE	1				
4	6M6-81921-00	GASKET, TERMINAL	1				
5	97780-60525	SCREW, TAPPING	14				
6	6M6-81844-00	GASKET	1				
7	6M6-8132W-00	CAP	1				
8	6K8-82150-01	FUSE HOLDER ASSY	1				
9	6G1-82151-00	.FUSE (10A)	1				
10	6K8-82159-00	.FUSE SPEAR (10A)	1				
11	62T-85540-01	C.D.I. UNIT ASSY	1				
12	90464-06M29	CLAMP	1				
13	97980-06216	SCREW, WITH WASHER	2				
14	68N-81940-00	STARTER RELAY ASSY	1				
15	97595-06610	BOLT, WITH WASHER	2				
16	6M6-81960-A0	RECTIFIER & REGULATOR ASSY	1				
17	90465-06M86	CLAMP	1				
18	97980-06216	SCREW, WITH WASHER	2				
19	62E-85570-11	IGNITION COIL ASSY	1				
20	62E-82371-11	.CAP, PLUG	1				
21	62E-82351-01	.TUBE, CORD	1				
22	62E-82371-11	.CAP, PLUG	1				
23	62E-82352-01	.TUBE, CORD 2	1				
24	90480-06M43	.GROMMET	2				
25	90465-11M10	.CLAMP	4				
26	97880-06030	SCREW, PAN HEAD	2				
27	92990-06600	WASHER, PLATE	2				

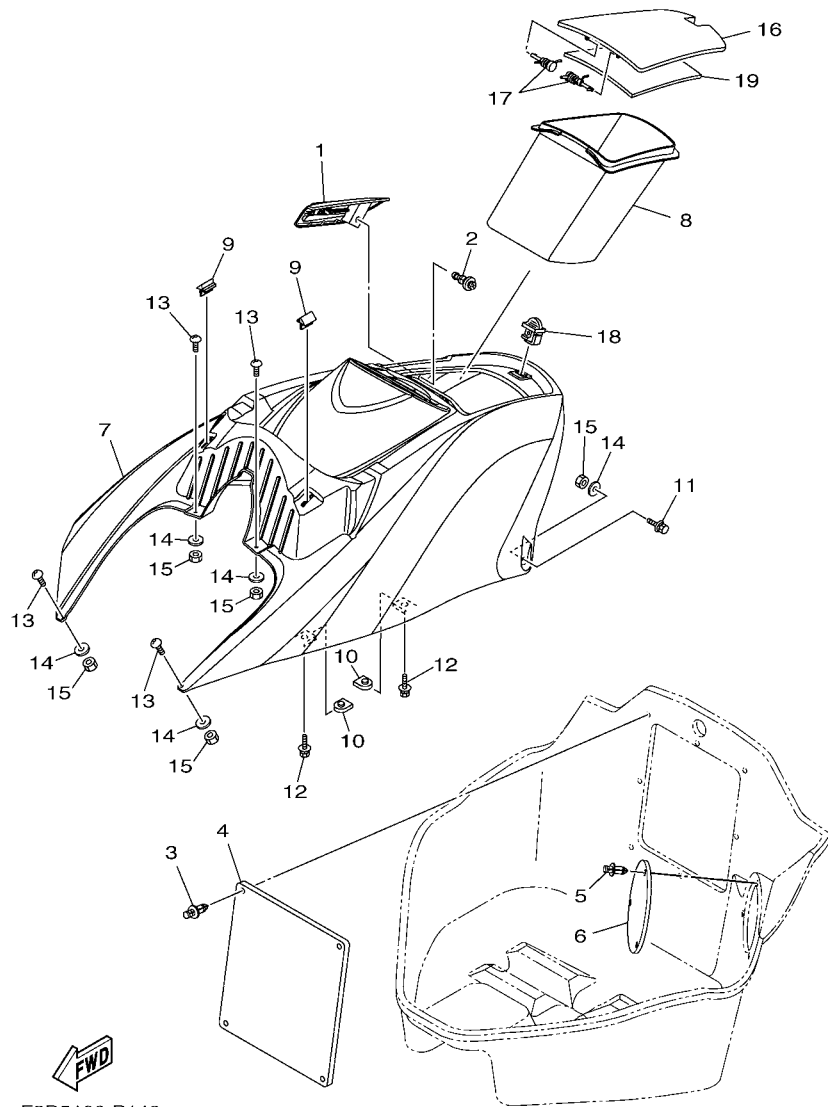


F3D3100-N130

FIG. 13 ELECTRICAL 2

REF. NO.	PART NO.	DESCRIPTION	F3D5				REMARKS
1	F1W-U828M-00	BASE, CLAMP	1				
2	90267-48930	RIVET, SEALD	1				
3	90601-20006	BAND	1				
4	EU0-68217-A1	BATTERY (YB16CL-B)	1				
5	EW2-68211-00	CASE, BATTERY	1				
6	90119-06920	BOLT, WITH WASHER	4				
7	EU0-68221-00	PAD, BATTERY 1	1				
8	EU0-68221-30	PAD, BATTERY 2	4				
9	EU0-68218-04	BAND, BATTERY	2				
10	90699-50090	HOSE	1				
11	90467-08M10	CLIP	1				
12	GJ3-6215F-00	NIPPLE	1				
13	90465-11M10	CLAMP	1				
14	F1V-6820A-01	METER ASSY	1				
15	90111-05008	BOLT, HEX. SOCKET BUTTON	4				
16	GU2-6822E-01	GROMMET	2				
17	90601-20006	BAND	2				
18	F3D-6824B-00	SENDER, FUEL	1				
19	90601-16542	BAND, HOSE 65	1				
20	F3D-6824C-00	SENDER, OIL	1				
21	F1W-U828M-00	BASE, CLAMP	5				
22	90267-48930	RIVET, SEALD	5				
23	90601-20006	BAND	4				
24	90601-20006	BAND	1				
25	90601-20009	BAND	1				
26	F1V-U273C-01	COVER, PLATE	1				
27	90150-05807	SCREW, ROUND HEAD	4				

FIG. 14 ENGINE HATCH 1



F3D5100-P140

REF. NO.	PART NO.	DESCRIPTION	F3D5				REMARKS
1	F2N-U2723-00	SEAL	1				
2	90269-08801	RIVET	1				
3	F3D-62698-00	RIVET	4				
4	F3D-67227-00	COVER, INSPECTION 1	1				
5	F3D-62698-00	RIVET	3				
6	F3D-67228-00	COVER, INSPECTION 2	1				
7	F2N-6516N-A0-P2	COVER, ENGINE HATCH	1				YGM7 FOR WC7
8	F2N-U516P-00	BOX GLOVE	1				
9	F1K-U266C-00	PACKING 4	2				
10	90183-06902	NUT, SPRING	4				
11	90119-06880	BOLT, WITH WASHER	2				
12	90119-06882	BOLT, WITH WASHER	4				
13	90149-06973	SCREW	4				
14	92990-06200	WASHER, PLAIN	6				
15	95720-06300	NUT, SELF-LOCKING	6				
16	F2N-U517H-01	LID HATCH	1				
17	F0X-6517R-01	PIN, HINGE	2				
18	GU2-62875-02	LOCK	1				
19	F3D-6519D-00	PACKING CASE	1				

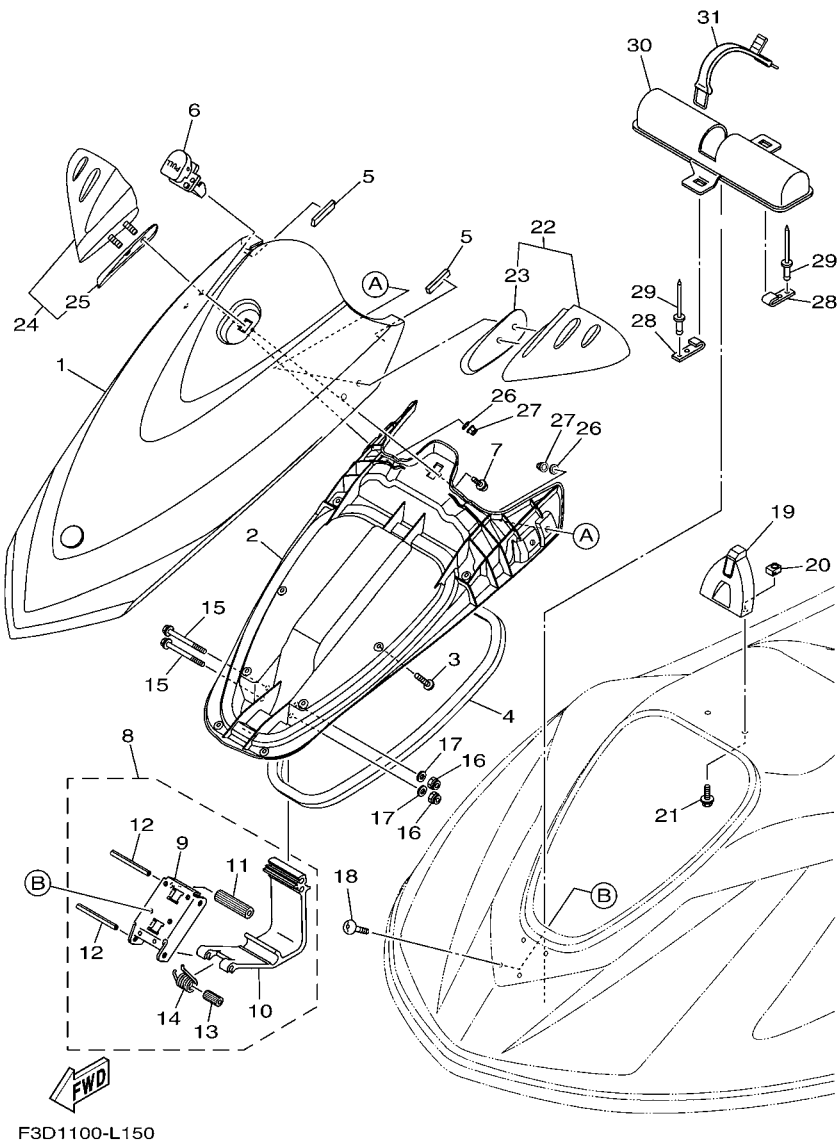


FIG. 15 ENGINE HATCH 2

REF. NO.	PART NO.	DESCRIPTION	F3D5				REMARKS
1	F2N-6517B-A0-P2	LID, ENGINE ROOM	1				YGM7 FOR WC7
2	F2N-U213B-01	COVER, VENTILATOR 1	1				
3	90149-05903	SCREW	8				
4	F3D-62663-00	PACKING 1	1				
5	F3D-6266B-00	PACKING 3	2				
6	F1K-6517C-00	LOCK, LID	1				
7	90119-059U4	BOLT, WITH WASHER	2				
8	F1K-U515A-00	HINGE ASSY.	1				
9	F1K-U518E-04	.PLATE, HINGE LID	1				
10	F1K-U517D-05	.HINGE, LID	1				
11	F1K-U135C-01	.ROLLER, DETENT	1				
12	F1K-U517R-00	.PIN, HINGE	2				
13	F1K-U471E-03	.SPACER 1	1				
14	F1K-U283B-02	.SPRING, TORSION	1				
15	90105-06826	BOLT, FLANGE	2				
16	95720-06300	NUT, SELF-LOCKING	2				
17	92990-06200	WASHER, PLAIN	2				
18	F2N-67823-00	SCREW	4				
19	F2N-U517F-00	HOOK, LID LOCK	1				
20	F1X-U517E-01	NUT	2				
21	90119-06880	BOLT, WITH WASHER	2				
22	F2N-U596B-00	MIRROR LH	1				
23	F2N-U471E-00	.SPACER 1	1				
24	F2N-U596C-00	MIRROR RH	1				
25	F2N-U471F-00	.SPACER 2	1				
26	92990-08200	WASHER, PLAIN	4				
27	95720-08300	NUT, SELF-LOCKING	4				

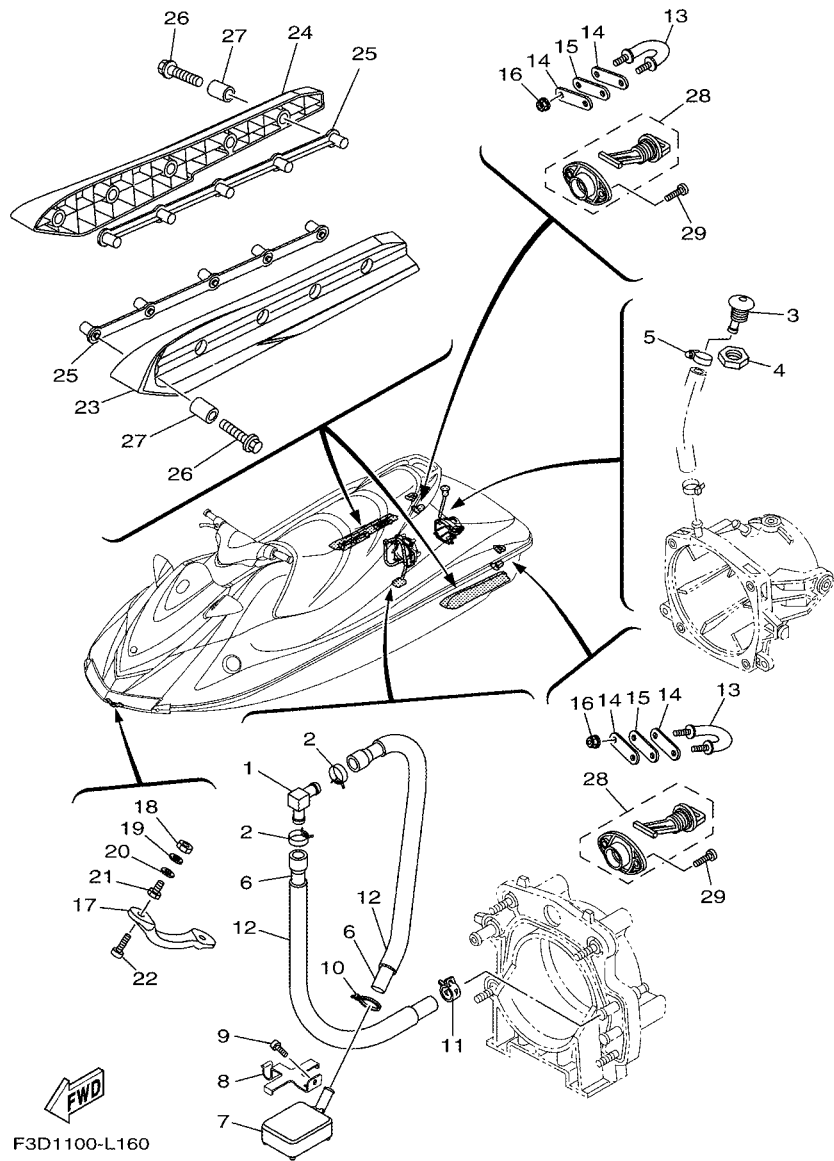
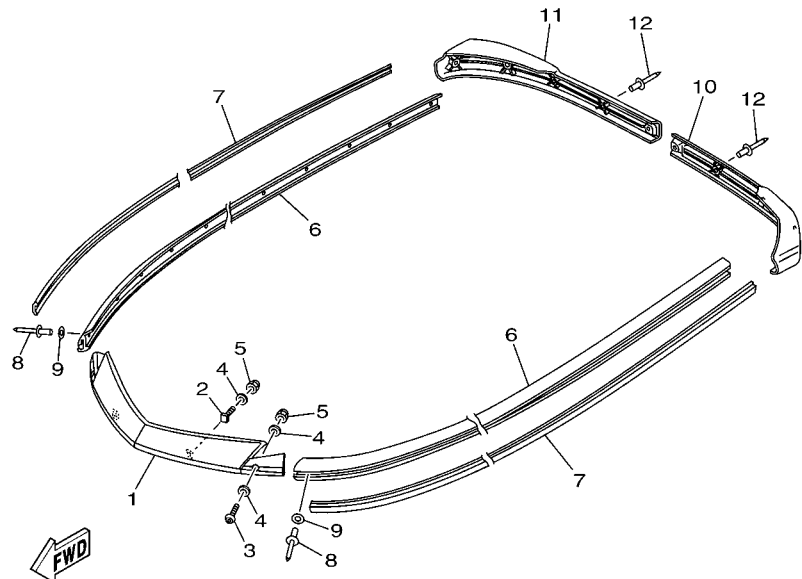
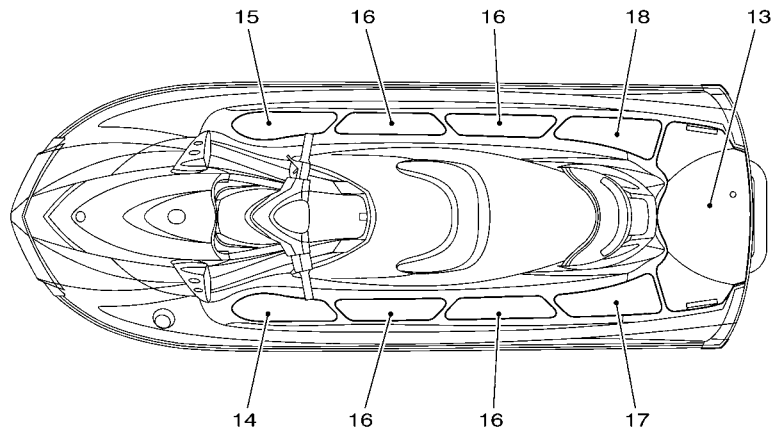


FIG. 16 HULL & DECK

REF. NO.	PART NO.	DESCRIPTION	F3D5				REMARKS
1	61X-51162-00	JOINT, HOSE	1				
2	90467-180A3	CLIP	2				
3	FN8-6269B-00	SPOUT	1				
4	EU0-61652-00	NUT	1				
5	90601-12538	BAND, HOSE 25	1				SUS
6	90445-20805	HOSE (L710)	2				
7	GD0-6761D-00	STRAINER, BILGE	1				
8	EW2-67618-00	BASE, STRAINER BILIGE	1				
9	97780-50510	SCREW, TAPPING	1				
10	90601-20005	BAND	1				
11	90467-200A0	CLIP	1				
12	90669-67006	CORRUGATE TUBE (L600)	2				
13	F2N-U1628-01	STERN EYE	2				
14	F3D-64953-00	PLATE A	4				
15	F3D-61653-00	PACKING	2				
16	95720-08300	NUT, SELF-LOCKING	4				
17	F1K-61624-00	BOWEYE 1	1				
18	99780-12600	NUT.HEX.(COARS)	2				
19	92990-12200	WASHER, PLAIN	2				
20	F0X-61637-00	WASHER	2				
21	F0X-61652-00	NUT (BOLT/NUT)	2				
22	90110-06040	BOLT, HEXAGON SOCKET HEAD	2				
23	F1S-U883N-01	STABILIZER LH	1				BLACK
24	F1S-U883P-01	STABILIZER RH	1				BLACK
25	F1X-U883T-01	BRACKET,STABILIZER	2				
26	90105-08860	BOLT, FLANGE	10				
27	F3D-68169-00	SPACER	10				

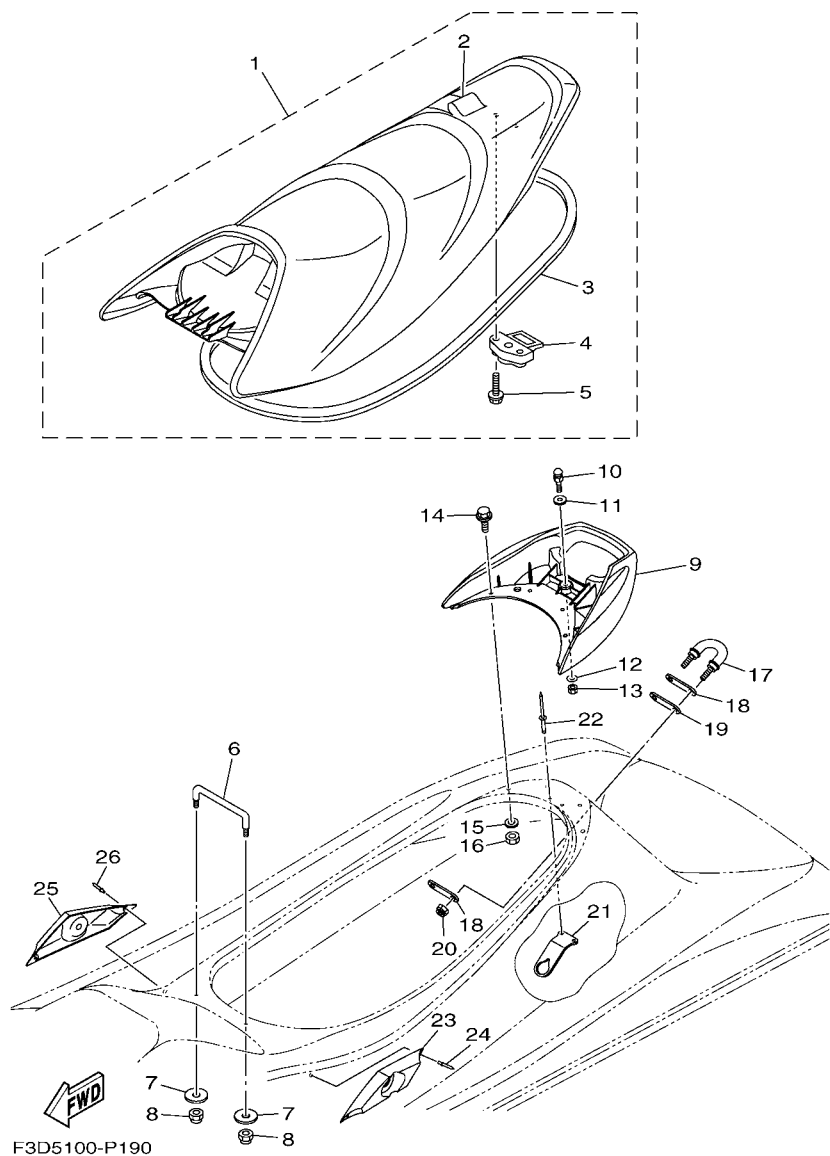


F2V1100-K170

FIG. 17 GUNWALE & MAT

REF. NO.	PART NO.	DESCRIPTION	F3D5				REMARKS
1	F2N-U2511-02	GUNWALE, BOW	1				
2	F1W-U491K-00	BOLT, SPECIAL	2				
3	90111-06803	BOLT,HEX. SOCKET BUTTON	2				
4	92990-06200	WASHER, PLAIN	6				
5	95720-06300	NUT, SELF-LOCKING	4				
6	F3D-62512-00	GUNWALE, SIDE	2				
7	F3D-62519-00	INNER,GUNWALE	2				
8	90267-48932	RIVET, BLIND	30				
9	92990-05200	WASHER, PLAIN	30				
10	F1K-U251D-01	GUNWALE, STERN 1	1				GRAY
11	F1K-U251E-01	GUNWALE, STERN 2	1				GRAY
12	90267-48949	RIVET, BLIND	9				
13	F2N-U3581-00	MAT, UPPER	1				DARK GREY
14	F2N-U351H-00	MAT, STEP 1	1				DARK GREY
15	F2N-U351J-00	MAT, STEP 2	1				DARK GREY
16	F2N-U351K-00	MAT, STEP 3	4				DARK GREY
17	F2N-U351M-00	MAT, STEP 4	1				DARK GREY
18	F2N-U351N-00	MAT, STEP 5	1				DARK GREY

FIG. 19 SEAT & UNDER LOCKER



REF. NO.	PART NO.	DESCRIPTION	F3D5				REMARKS
1	F2N-U371A-04	DOUBLE SEAT ASSY	1				
2	F2N-U371B-00	.COVER, SEAT 1	1				
3	F2N-U2664-00	.PACKING	1				
4	F2C-U3850-00	.SEAT LOCK ASSY	1				
5	90119-069UP	.BOLT, WITH WASHER	2				
6	F0X-6378C-00	STAY, SEAT 1	1				
7	90201-08929	WASHER, PLATE	2				
8	95720-08300	NUT, SELF-LOCKING	2				
9	F2N-U271B-01	GRIP, HAND	1				
10	GH1-63774-01	PIN	1				
11	90201-10017	WASHER, PLATE	1				
12	92990-10200	WASHER, PLAIN	1				
13	95720-10300	NUT	1				
14	90119-089U2	BOLT, WITH WASHER	4				
15	92990-08200	WASHER, PLAIN	4				
16	95720-08300	NUT, SELF-LOCKING	4				
17	F2N-U1628-02	STERN EYE	1				
18	F3D-64953-00	PLATE A	2				
19	F3D-61653-00	PACKING	1				
20	95720-08300	NUT, SELF-LOCKING	2				
21	F3D-65938-00	STAY 1	1				
22	90267-48020	RIVET, BLIND	2				
23	F2V-67437-A0	COVER	1				
24	90267-48051	RIVET, BLIND (4.8X18.7 BLACK)	2				
25	F2V-67437-B0	COVER	1				
26	90267-48051	RIVET, BLIND (4.8X18.7 BLACK)	2				

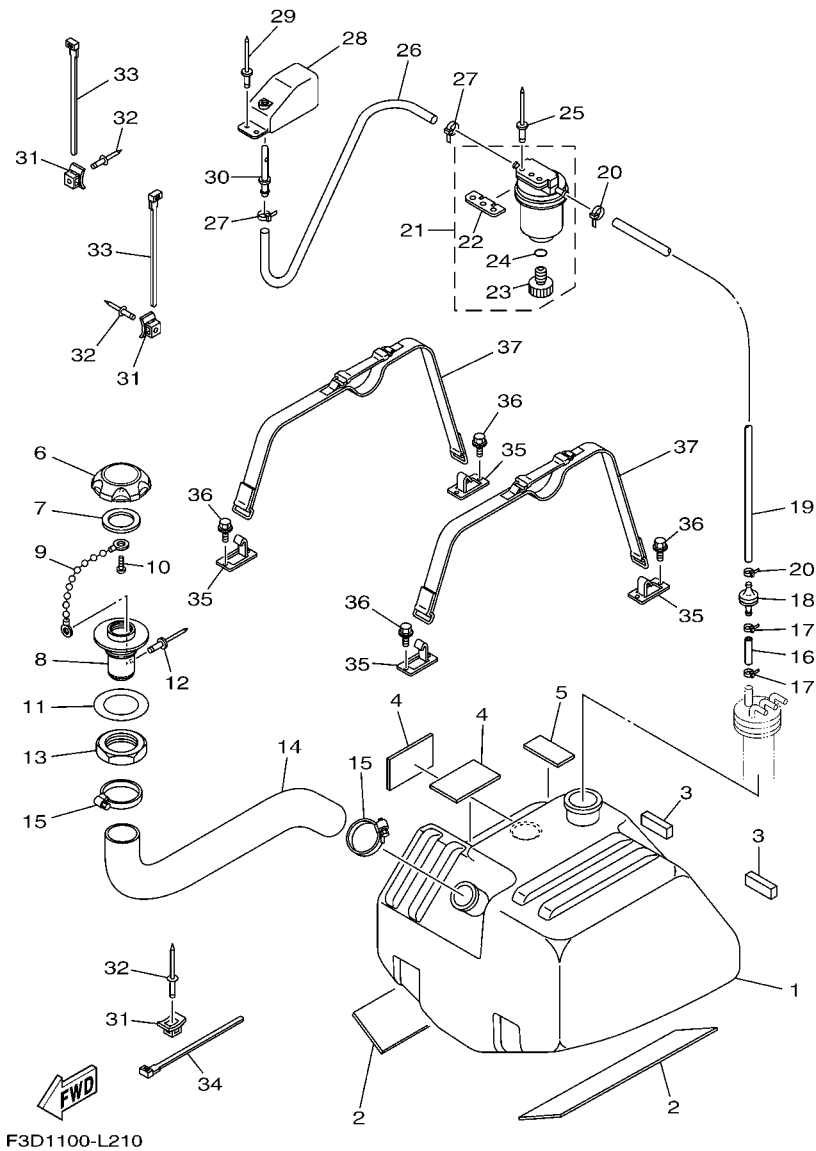
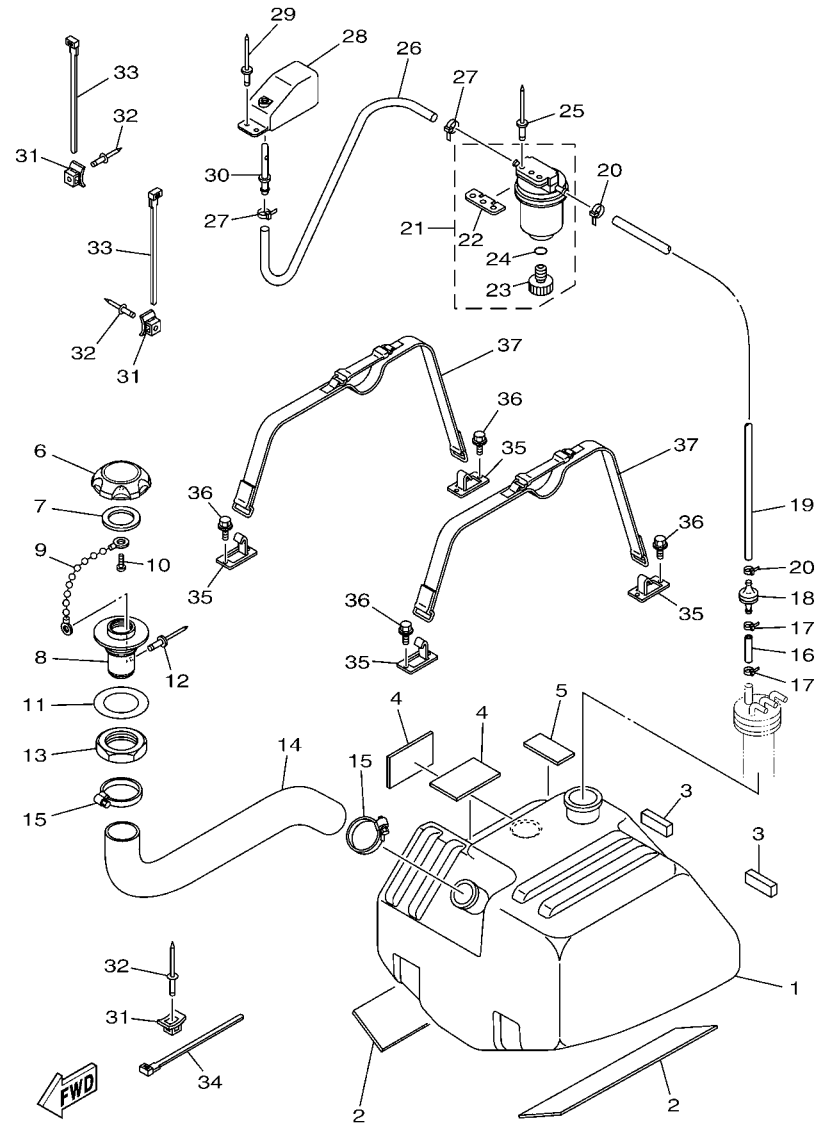


FIG. 21 FUEL TANK

REF. NO.	PART NO.	DESCRIPTION	F3D5				REMARKS
1	F3D-67711-00	TANK, FUEL	1				
2	F3D-6759B-00	MAT 1	2				
3	F3D-6759C-00	MAT 2	2				
4	GJ1-6759B-00	MAT 1	2				
5	GJ1-6759C-00	MAT 2	1				
6	F2N-U7831-10	CAP, FUEL FILLER	1				BLACK
7	GP7-U7832-01	PACKING	1				
8	GP7-U7833-11	SOCKET	1				BLACK
9	GP7-U7835-00	CHAIN BALL	1				
10	90169-049U1	TAPPING SCREW	1				
11	GP7-U7834-00	PACKING FUEL FILLER	1				
12	90267-329UR	RIVET, BLIND	1				
13	GP7-U783F-00	NUT, FUEL FILLER	1				
14	F3D-67844-00	HOSE	1				
15	90601-15573	BAND, HOSE 55	2				
16	90699-50004	HOSE (L40)	1				
17	90465-11M10	CLAMP	2				
18	EU0-67767-31	CHECK VALVE	1				
19	90699-50020	HOSE (L200)	1				
20	90465-11M10	CLAMP	2				
21	F2F-6214A-00	FILTER, VENT ASSY	1				
22	EW2-62142-00	.PLATE, FILTER	1				
23	70R-24543-00	.PLUG, DRAIN	1				
24	70R-24489-00	.O-RING	1				
25	90267-48020	RIVET, BLIND	2				
26	90699-50130	HOSE (L1300)	1				
27	90465-11M10	CLAMP	2				



F3D1100-L210

FIG. 21 FUEL TANK

REF. NO.	PART NO.	DESCRIPTION	F3D5				REMARKS
28	GP7-62159-02	SOCKET, VENTILATION	1				
29	90267-48930	RIVET, SEALD	2				
30	F1G-62149-00	PIPE, VENTILATION	1				
31	F1W-U828M-00	BASE, CLAMP	3				
32	90267-48930	RIVET, SEALD	3				
33	90601-20006	BAND	2				
34	90601-20009	BAND	1				
35	F3D-65772-00	HOOK A	4				
36	90119-069UH	BOLT, WITH WASHER	8				
37	F1K-67743-00	BELT, TANK 1	2				

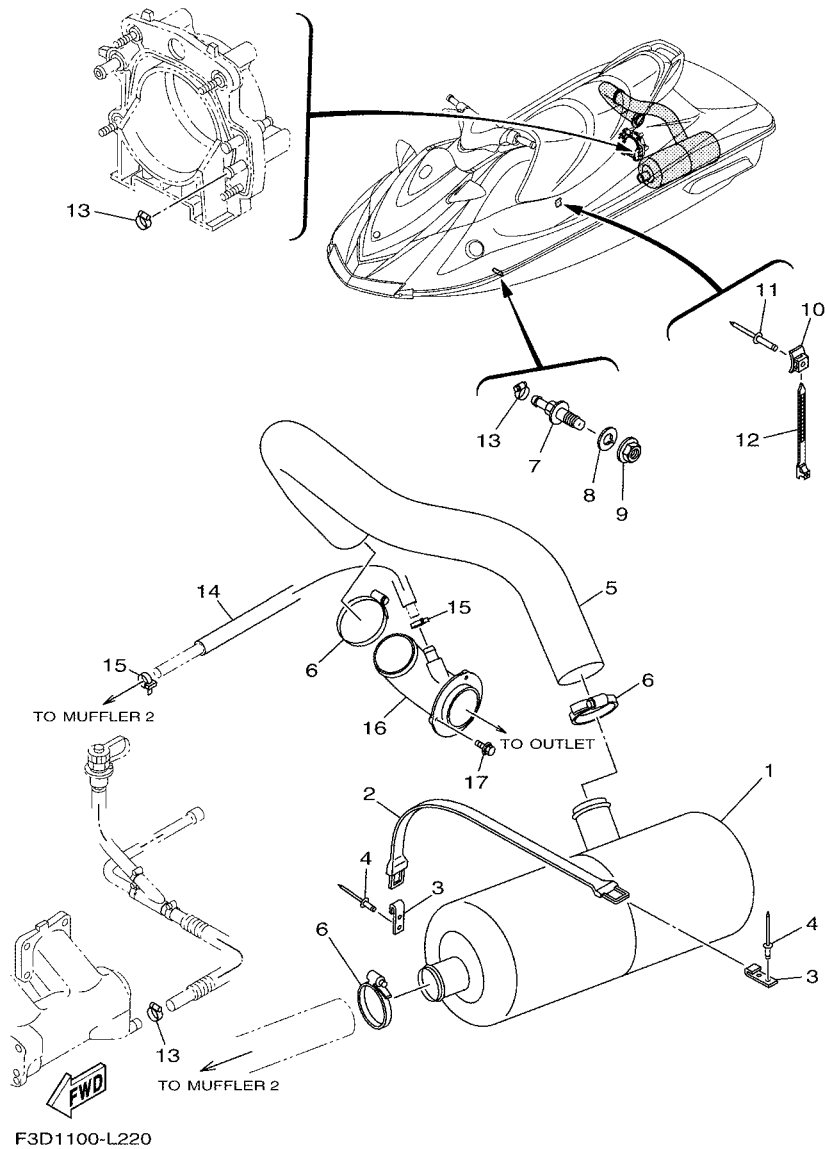
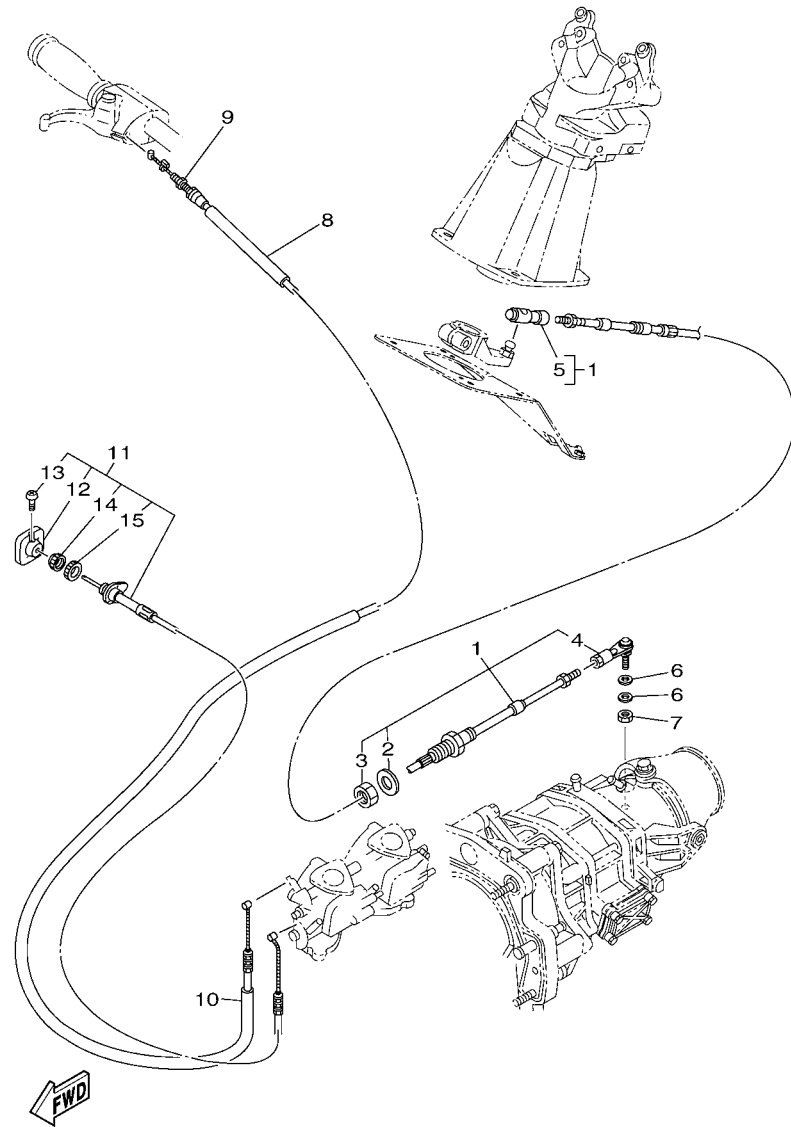


FIG. 22 EXHAUST 2

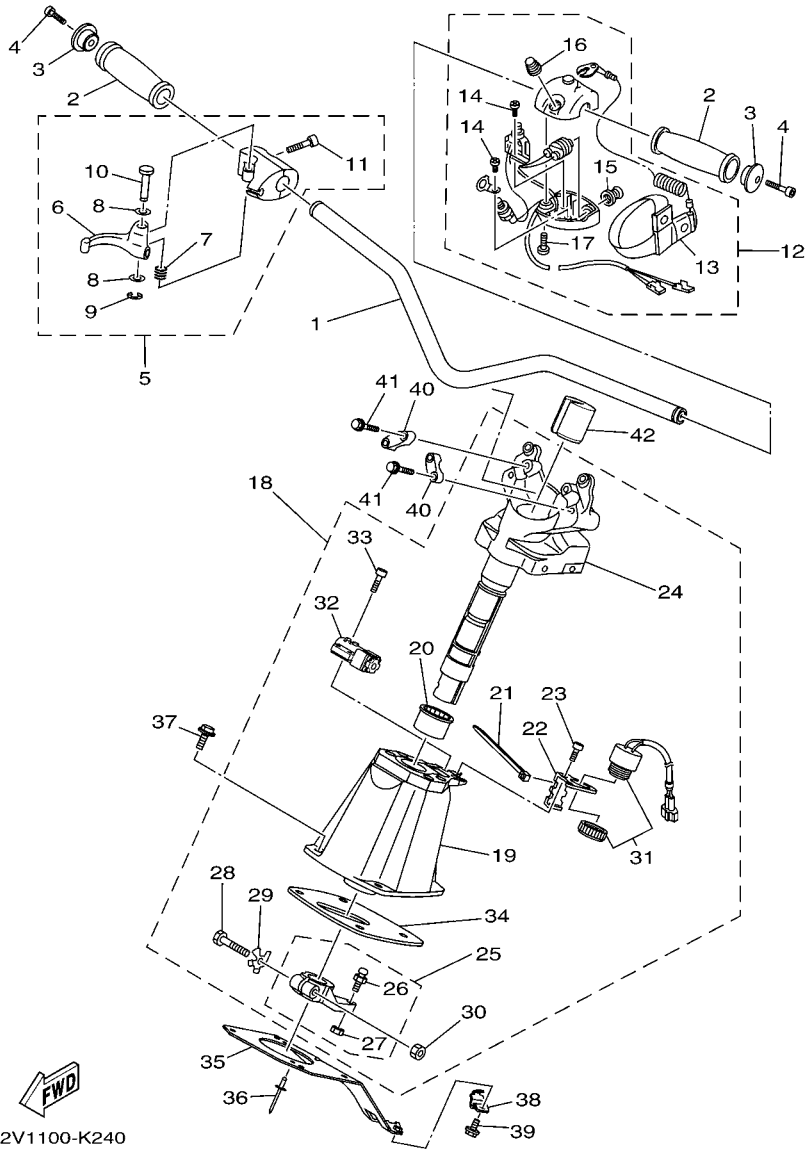
REF. NO.	PART NO.	DESCRIPTION	F3D5				REMARKS
1	F3D-67550-01	WATER LOCK COMP.	1				
2	EU0-68218-04	BAND, BATTERY	1				
3	GA7-65772-00	HOOK A	2				
4	90267-48020	RIVET, BLIND	4				
5	F3D-67555-00	HOSE, EXHAUST	1				
6	90601-16875	BAND, HOSE 68	3				
7	F1G-6753B-00	PILOT, WATER	1				
8	F1B-67564-00	GASKET	1				
9	F0X-62733-00	NUT	1				
10	F1W-U828M-00	BASE, CLAMP	1				
11	90267-48930	RIVET, SEALD	1				
12	90601-20009	BAND	1				
13	90450-14M05	HOSE CLAMP ASSY	3				
14	90669-67009	CORRUGATE TUBE (L900)	1				
15	90601-20005	BAND	2				
16	GJ3-U7560-01	EXHAUST, THRU-HALL COMP.	1				
17	90119-059U4	BOLT, WITH WASHER	3				



F3D5100-P230

FIG. 23 CONTROL CABLE

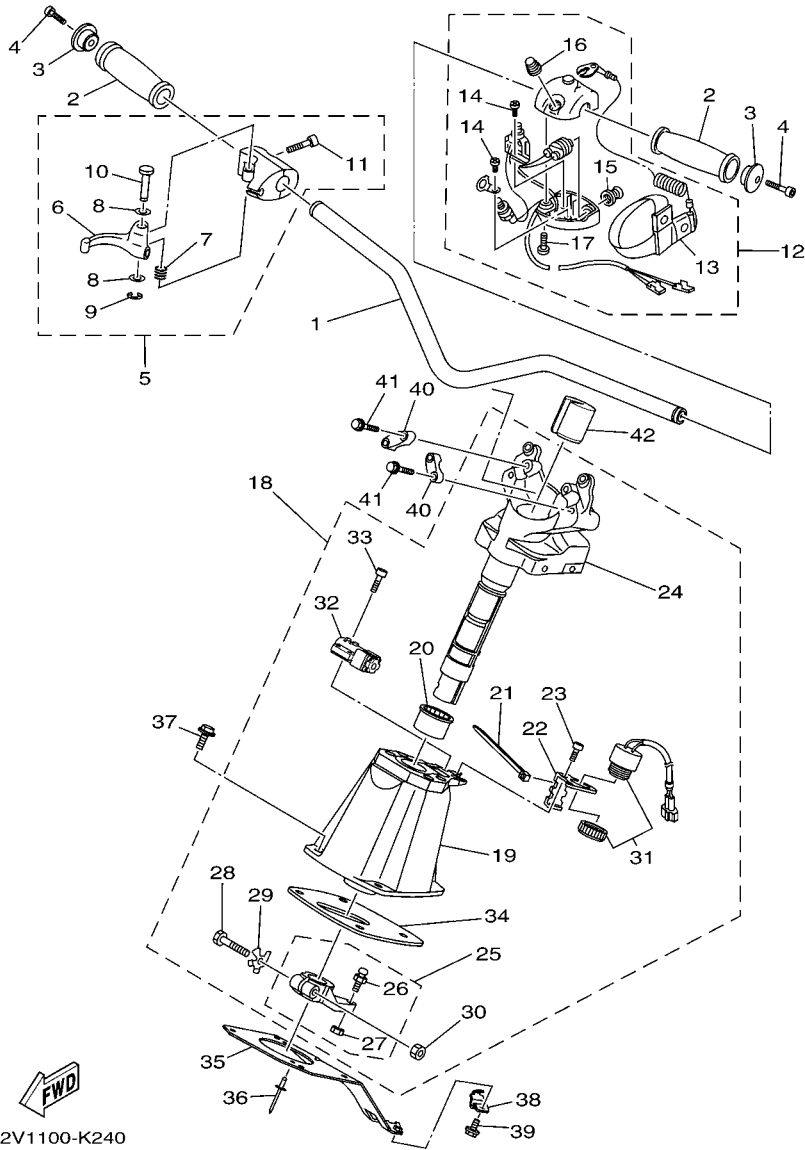
REF. NO.	PART NO.	DESCRIPTION	F3D5				REMARKS
1	F2N-61481-00	CABLE, STEERING	1				
2	F1B-61438-00	.PACKING C	1				
3	F1B-6151S-00	.NUT	1				
4	F1B-61461-02	.STUD, JOINT BALL	1				
5	F2N-61460-00	.BALL JOINT ASSY	1				
6	90201-06906	WASHER, PLATE	2				
7	95380-06700	NUT	1				
8	90447-07018	TUBE (L150)	1				
9	F3D-67252-00	CABLE, THROTTLE	1				
10	90669-62015	CORRUGATE TUBE (L1500)	1				
11	F1V-67242-01	CABLE, CHOKE	1				
12	EW2-67243-00	.KNOB	1				
13	90149-03930	.SCREW	1				
14	F0N-6724E-00	.NUT, COMPRESSION	1				
15	F0P-6724F-00	.NUT	1				



F2V1100-K240

FIG. 24 STEERING 1

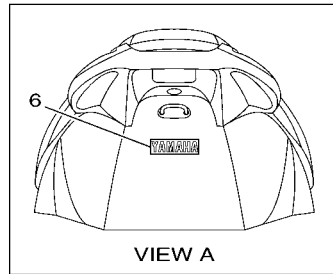
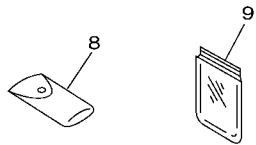
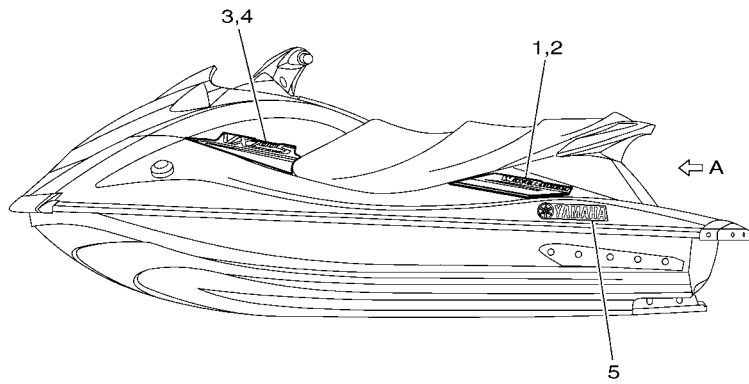
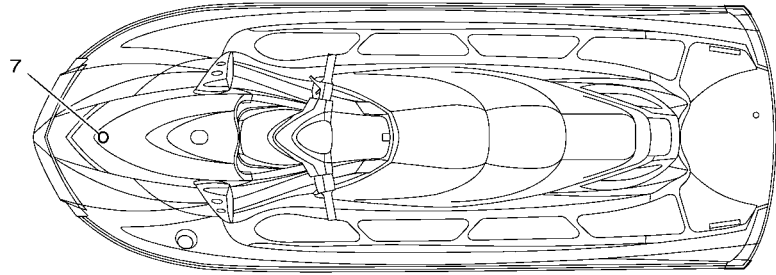
REF. NO.	PART NO.	DESCRIPTION	F3D5				REMARKS
1	F3D-61552-00	HANDLE	1				
2	GP7-U155D-01	GRIP, HANDLE	2				
3	GP7-U155F-00	GRIP, END	2				
4	90110-05908	BOLT, HEXAGON SOCKET HEAD	2				
5	F0D-67250-10	THROTTLE LEVER ASSY	1				
6	F0D-67255-02	.LEVER, THROTTLE	1				
7	EW2-67256-00	.SPRING	1				
8	EW2-67258-01	.WASHER	2				
9	EW2-67259-01	.E-RING	1				
10	F0D-67257-00	.SHAFT	1				
11	F1X-6725F-01	.BOLT, THROTTLE	2				
12	FK7-68310-07	SWITCH BOX ASSY	1				
13	EW2-68348-00	.LANYARD, STOP SWITCH	1				
14	97880-03008	.SCREW, PAN HEAD	2				
15	FK7-68312-02	.STOP BUTTON COMP	1				
16	FK7-68313-02	.START BUTTON COMP.	1				
17	97880-05025	.SCREW, PAN HEAD	2				
18	F1V-61400-00	STEERING MASTER ASSY	1				
19	F1K-6152M-00	.HOUSING ASSY	1				
20	F1K-6134M-00	.BUSH	1				
21	703-82591-00	.BAND	2				
22	F1K-6146H-10	.SPACER, BRKT.	1				
23	F1B-613C1-00	.SCREW	2				
24	F1K-6152D-00	.SHAFT	1				
25	F1K-6153R-00	.ARM ASSY.	1				
26	EU0-61461-02	..STUD, JOINT BALL	1				
27	95720-06300	..NUT, SELF-LOCKING	1				



F2V1100-K240

FIG. 24 STEERING 1

REF. NO.	PART NO.	DESCRIPTION	F3D5				REMARKS
28	F1K-61355-00	.BOLT	1				
29	F1K-6142B-00	.PLATE, RETAINING	1				
30	95720-08300	.NUT, SELF-LOCKING	1				
31	F1S-68341-00	.BUZZER	1				
32	F1V-82144-00	.CASE ASSY.	1				
33	F1W-61516-00	.BOLT	4				
34	F1K-6143C-00	.SEAL, RUBBER	1				
35	F3D-61467-00	BRACKET, STOPPER CABLE	1				
36	90267-48940	RIVET, BLIND	2				
37	90119-08836	BOLT, WITH WASHER	4				
38	F3D-61468-00	STOPPER, CABLE	1				
39	90119-069UH	BOLT, WITH WASHER	1				
40	EU0-23814-31	HOLDER, HANDLE UPPER	2				
41	90119-08827	BOLT, WITH WASHER	4				
42	F1K-U1949-00	PLUG	1				



F3D5100-P260

FIG. 26 GRAPHICS

REF. NO.	PART NO.	DESCRIPTION	F3D5				REMARKS
1	F3D-6417B-20	GRAPHIC 1 (LH)	1				
2	F3D-6417C-20	GRAPHIC 2 (RH)	1				
3	F3D-6417D-20	GRAPHIC 3 (LH)	1				
4	F3D-6417E-20	GRAPHIC 4 (RH)	1				
5	F3D-6411C-00	EMBLEM, YAMAHA	2				
6	F3D-64114-00	MARK, YAMAHA A	1				
7	F1K-U411H-00	EMBLEM, TUNING FORK	1				
8	EU0-65986-03	TOOL SET	1				
9	EU0-65901-02	TOOL BAG	1				

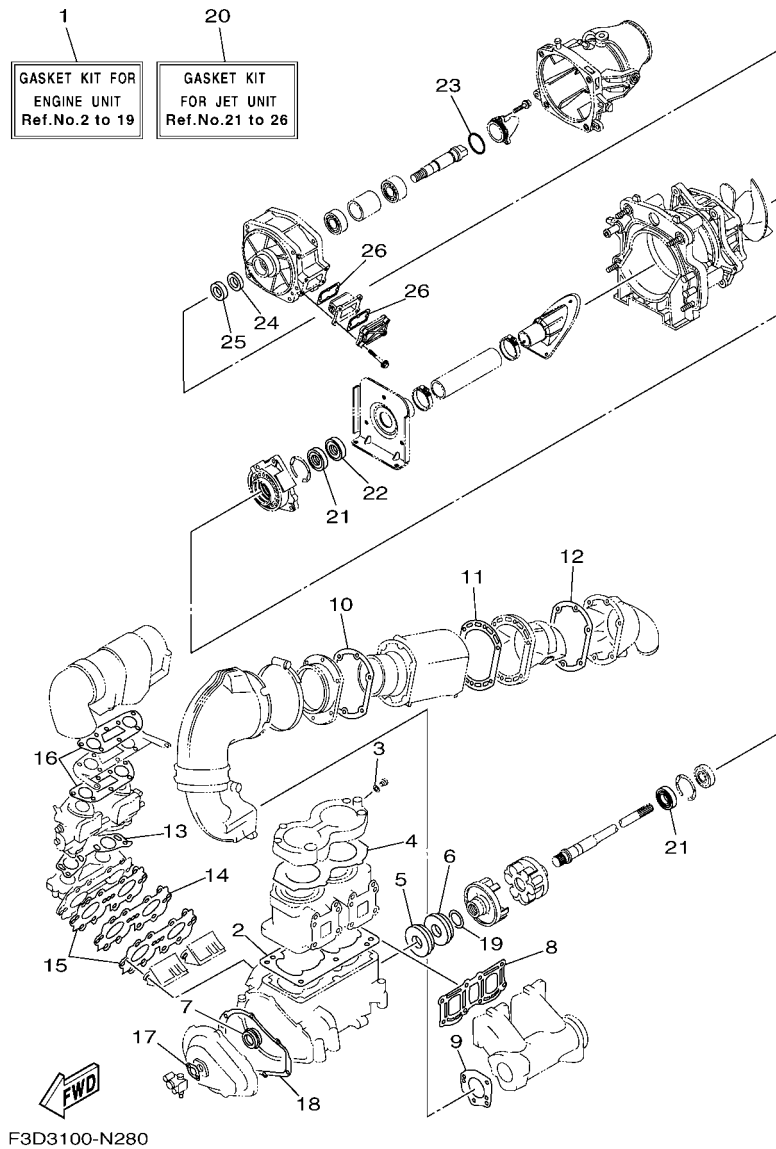
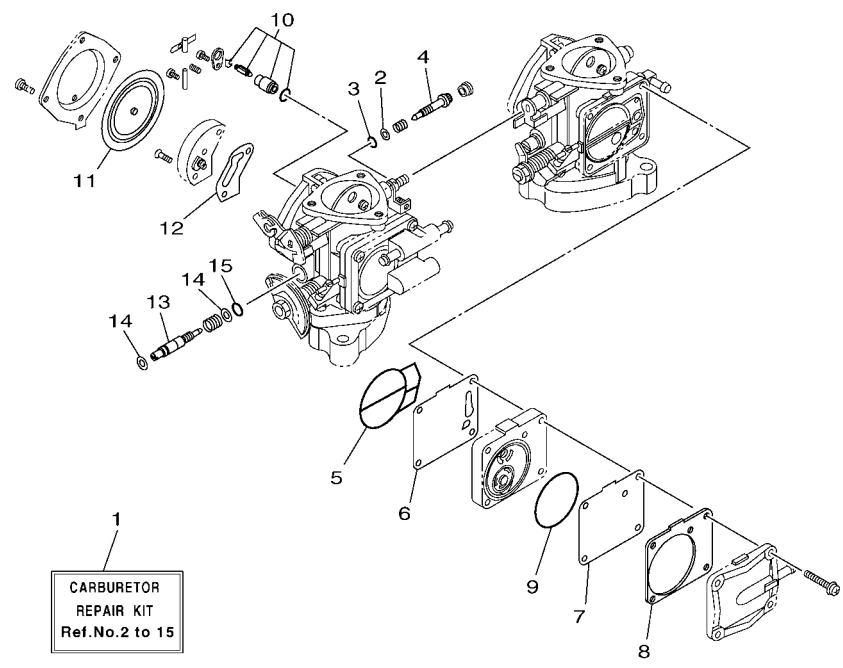


FIG. 28 REPAIR KIT 1

REF. NO.	PART NO.	DESCRIPTION	F3D5				REMARKS
1	62T-W0001-02	GASKET KIT FOR ENGINE UNIT	1				
2	6M6-11351-A2	.GASKET, CYLINDER	1				
3	90430-08020	.GASKET	1				
4	62T-11181-01	.GASKET, CYLINDER HEAD 1	1				
5	93102-36M33	.OIL SEAL	1				
6	93101-36M46	.OIL SEAL	1				
7	93103-32M01	.OIL SEAL	1				
8	62T-14613-01	.GASKET, EXHAUST PIPE	1				
9	62T-14749-02	.GASKET, MUFFLER DAMPER 2	1				
10	62T-41114-01	.GASKET, EXHAUST OUTER COVER	1				
11	62T-41122-00	.GASKET, EXHAUST INNER COVER	1				
12	62T-41124-00	.GASKET, EXHAUST OUTER COVER	1				
13	62T-13556-00	.GASKET, MANIFOLD	1				
14	62T-13624-00	.PLATE, REED VALVE	1				
15	62T-13566-00	.GASKET	2				
16	62T-13674-00	.GASKET, AIR COOLER COVER 1	2				
17	6R8-13116-A0	.GASKET, PUMP CASE	1				
18	6M6-81365-A0	.GASKET, HOLE COVER	1				
19	62T-45127-00	.SEAL	1				
20	6BU-W0001-20	GASKET KIT FOR JET UNIT	1				
21	93101-25M55	.OIL SEAL	2				
22	93102-25009	.OIL SEAL	1				
23	93210-464A3	.O-RING	1				
24	93101-21002	.OIL SEAL	1				
25	93101-21001	.OIL SEAL	1				
26	66V-42414-00	.O-RING	2				

FIG. 29 REPAIR KIT 2



F3D3100-N290

REF. NO.	PART NO.	DESCRIPTION	F3D5				REMARKS
1	67E-W0093-00	CARBURETOR REPAIR KIT	1				
2	812-14235-00	.WASHER, NEEDLE	4				
3	812-14147-00	.O-RING	2				
4	6K8-14946-10	.METERING NEEDLE	2				
5	6K8-14564-00	.O-RING	2				
6	6K8-24411-20	.DIAPHRAGM	1				
7	6K8-24421-10	.VALVE, CHECK	1				
8	6K8-24431-20	.GASKET, FUEL PUMP 1	1				
9	6K8-14563-00	.O-RING	1				
10	61X-14916-16	.JET NEEDLE COMP.	2				
11	6R7-14541-00	.DIAPHRAGM, PUMP	2				
12	6K8-14536-11	.GASKET	2				
13	65U-14923-10	.SCREW, PILOT	2				
14	822-14235-00	.WASHER, NEEDLE	4				
15	583-14561-00	.O-RING	2				

NUMERICAL INDEX

PART NO.	REF. NO.	PART NO.	REF. NO.	PART NO.	REF. NO.	PART NO.	REF. NO.	PART NO.	REF. NO.	PART NO.	REF. NO.
62T-11111-00-8S	1 - 8	3G2-14231-24	4 - 12	62T-14712-00-94	6 - 5	62T-41124-00	6 - 39	F3D-61552-00	24 - 1	EU0-65901-02	26 - 9
62T-11181-01	1 - 12	3G2-14231-26	4 - 11	62T-14721-00-8S	6 - 23		28 - 12	F1K-61624-00	16 - 17	F3D-65938-00	19 - 21
	28 - 4	812-14235-00	4 - 4	62T-14749-02	6 - 7	66V-42414-00	8 - 10	FOX-61637-00	16 - 20	EU0-65986-03	26 - 8
62T-11311-00-8S	1 - 1		29 - 2		28 - 9		28 - 26	EU0-61652-00	6 - 57	F3D-67227-00	14 - 4
6E5-11325-00	1 - 2	822-14235-00	4 - 41	6AE-14752-00	6 - 46	62E-44517-A1-8P	1 - 27		16 - 4	F3D-67228-00	14 - 6
6M6-11351-A2	1 - 5		29 - 14	62T-14771-00-94	6 - 43	6CP-44532-00	1 - 19	F0X-61652-00	16 - 21	F1V-67242-01	23 - 11
	28 - 2	830-1423A-64	4 - 25	61X-14916-16	4 - 32	663-45119-00	9 - 4	F3D-61653-00	16 - 15	EW2-67243-00	23 - 12
6E5-11372-01	3 - 19	62T-14251-10	1 - 16		29 - 10	62T-45127-00	2 - 25		19 - 19	F0N-6724E-00	23 - 14
62T-11400-02	2 - 1	6R7-14253-00	4 - 34	65U-14923-10	4 - 39		28 - 19	F3D-62111-00	18 - 3	F0P-6724F-00	23 - 15
6M6-11412-00	2 - 2	62T-14255-00	3 - 23		29 - 13	66V-45214-00-94	8 - 11	F3D-6213G-00	18 - 2	F0D-67250-10	24 - 5
6M6-11422-00	2 - 3	62T-14283-01	3 - 28	3KW-14932-00	4 - 9	66G-45332-00-94	9 - 2	EW2-62142-00	21 - 22	F3D-67252-00	23 - 9
6M6-11431-10	2 - 4	62T-14284-01-8S	3 - 18	6K8-14946-10	4 - 7	6BU-45511-00	9 - 6	F1G-62149-00	21 - 30	F0D-67255-02	24 - 6
6M6-11442-01	2 - 5	62T-14293-00	4 - 20		29 - 4	6D3-45514-00	8 - 17	F2F-6214A-00	21 - 21	EW2-67256-00	24 - 7
65U-11515-00	2 - 10	62T-14301-03	4 - 1	62T-15100-00-8S	1 - 15	62T-45526-00	2 - 13	GP7-62159-02	21 - 28	F0D-67257-00	24 - 10
61X-11603-01	2 - 19	62T-14302-03	4 - 2	63N-15761-00	6 - 40	65V-45538-00	8 - 15	F3D-6215E-00	20 - 9	EW2-67258-01	24 - 8
61X-11604-01	2 - 19	62T-14419-00	3 - 29	6R7-21415-01-94	1 - 21	6M6-45813-22-8P	9 - 12	GJ3-6215F-00	13 - 12	EW2-67259-01	24 - 9
61X-11605-01	2 - 19	62T-14435-00	3 - 31	6R7-21425-01-94	1 - 22	6M6-45813-32-8P	2 - 24	F3D-62512-00	17 - 6	F1X-6725F-01	24 - 11
62T-11631-02-92	2 - 18	62T-14451-00	3 - 27	EU0-23814-31	24 - 40	61X-4581J-00	9 - 1	F3D-62519-00	17 - 7	EU0-67324-00	1 - 30
62T-11633-00	2 - 20	6K8-14471-10	4 - 8	6DU-24312-10	7 - 4	6DU-45831-00	8 - 1	F3D-62663-00	15 - 4	EU0-67354-A0	1 - 31
62T-11635-02	2 - 18	6H1-14485-00	3 - 20	62T-24313-01	3 - 1	66V-46882-00	8 - 9	F3D-6266B-00	15 - 5	EU0-67354-B0	1 - 31
62T-11636-02	2 - 18	62T-14485-10	6 - 24	6DU-24313-10	7 - 1	6K8-51129-00	1 - 9	F3D-62698-00	14 - 3	EU0-67354-C0	1 - 31
64X-11651-01	2 - 7	6M6-14503-00	4 - 10	62T-24314-01	3 - 16		6 - 2		14 - 5	EU0-67354-D0	1 - 31
82M-11685-00	2 - 8	6K8-14503-02	4 - 23	6DU-24314-20	7 - 10		6 - 6	FN8-6269B-00	16 - 3	EU0-67354-E0	1 - 31
6AE-12564-00	6 - 54	6K8-14521-00	4 - 43	6R3-24377-00	6 - 32	61X-51162-00	16 - 1	FOX-62733-00	22 - 9	F2V-67437-A0	19 - 23
64T-12580-00	6 - 55	6M6-14521-00	4 - 5	63N-24378-00	6 - 14	66V-51312-01-94	8 - 4	GU2-62875-02	14 - 18	F2V-67437-B0	19 - 25
64X-12581-00	6 - 51	6K8-14521-10	4 - 24	6K8-24411-20	4 - 14	66V-51315-01-94	8 - 8	GH1-63774-01	19 - 10	F1G-6753B-00	22 - 7
67X-12590-30	6 - 58	6K8-14523-11	4 - 30		29 - 6	62T-51326-10	8 - 20	FOX-6378C-00	19 - 6	F3D-67550-01	22 - 1
6R8-13116-A0	5 - 5	62T-14527-02	3 - 14	6R7-24412-01	4 - 29	6DU-51381-00	9 - 20	F3D-64114-00	26 - 6	F3D-67555-00	22 - 5
	28 - 17	6K8-14527-11	4 - 27	6M6-24413-01	4 - 15	F1K-6134M-00	24 - 20	F3D-6411C-00	26 - 5	F1B-67564-00	22 - 8
67X-13183-00	5 - 8	6K8-14536-11	4 - 37	65U-24421-00	4 - 16	F1K-61355-00	24 - 28	F3D-6415B-00	27 - 2	F3D-6759B-00	21 - 2
	5 - 13		29 - 12	6K8-24421-10	4 - 18	F1B-613C1-00	24 - 23	F3D-6417B-20	26 - 1	GJ1-6759B-00	21 - 4
61X-13200-12	5 - 1	6R7-14541-00	4 - 35		29 - 7	F1V-61400-00	24 - 18	F3D-6417C-20	26 - 2	F3D-6759C-00	21 - 3
6J8-13411-00	20 - 2		29 - 11	6K8-24431-20	4 - 19	F1K-6142B-00	24 - 29	F3D-6417D-20	26 - 3	GJ1-6759C-00	21 - 5
6J8-13414-00	20 - 3	6R7-14542-00	4 - 36		29 - 8	F1B-61438-00	23 - 2	F3D-6417E-20	26 - 4	EW2-67618-00	16 - 8
62T-13555-00-94	3 - 6	6K8-14547-01	4 - 33	6K8-24452-10	4 - 20	F1K-6143C-00	24 - 34	GE2-6418F-00	27 - 5	GD0-6761D-00	16 - 7
62T-13556-00	3 - 5	583-14561-00	4 - 42	70R-24489-00	21 - 24	F2M-6143G-A0	8 - 41	F3D-641B1-00	27 - 1	F3D-67711-00	21 - 1
	28 - 13		29 - 15	65U-24492-00	4 - 17	F2N-61460-00	23 - 5	F1N-641DB-00	27 - 4	F1K-67743-00	21 - 37
62T-13566-00	3 - 8	6K8-14563-00	4 - 22	6K8-24500-02	7 - 8	EU0-61461-02	24 - 26	F3D-641E1-00	27 - 3	F3D-6775B-00	20 - 1
	28 - 15		29 - 9	6K8-24524-10	7 - 9	F1B-61461-02	23 - 4	F3D-64953-00	16 - 14	FJ0-67766-00	20 - 8
62T-13610-00	3 - 11	6K8-14564-00	4 - 13	70R-24543-00	21 - 23	F3D-61467-00	24 - 35		19 - 18	EU0-67767-31	21 - 18
62T-13624-00	3 - 7		29 - 5	6K8-24560-21	7 - 7	F3D-61468-00	24 - 38	F2N-6516N-A0-P2	14 - 7	EU0-67816-30	7 - 25
	28 - 14	6R7-14569-00	4 - 31	62T-41113-00-8S	6 - 26	F1K-6146H-10	24 - 22	F2N-6517B-A0-P2	15 - 1	EU0-67817-00	7 - 27
62T-13674-00	3 - 22	6K8-14589-00	4 - 40	62T-41114-01	6 - 27	F2N-61481-00	23 - 1	F1K-6517C-00	15 - 6	F2N-67823-00	15 - 18
	28 - 16	62T-14613-01	6 - 3		28 - 10	F1W-61516-00	24 - 33	FOX-6517R-01	14 - 17	FJ0-67841-01	20 - 5
47X-14133-00	4 - 3		28 - 8	62T-41121-00-8S	6 - 36	F1B-6151S-00	23 - 3	F3D-6519D-00	14 - 19	F3D-67844-00	21 - 14
812-14147-00	4 - 6	62T-14615-01	6 - 31	62T-41122-00	6 - 37	F1K-6152D-00	24 - 24	F3D-65172-00	21 - 35	GE2-6784A-00	20 - 4
	29 - 3	62T-14625-00	6 - 29		28 - 11	F1K-6152M-00	24 - 19	GA7-65772-00	15 - 28	F3D-68169-00	16 - 27
439-14186-00	4 - 28	62T-14711-10-94	6 - 1	62T-41123-01-8S	6 - 38	F1K-6153R-00	24 - 25		22 - 3	F1V-6820A-01	13 - 14

NUMERICAL INDEX

PART NO.	REF. NO.	PART NO.	REF. NO.	PART NO.	REF. NO.	PART NO.	REF. NO.	PART NO.	REF. NO.	PART NO.	REF. NO.
EW2-68211-00	13 - 5	62T-82361-00	12 - 29	F2N-U351H-00	17 - 14	90105-08860	16 - 26	90149-05903	25 - 6	90445-14M07	6 - 16
EU0-68217-A1	13 - 4	62E-82371-11	12 - 20	F2N-U351J-00	17 - 15	90105-10M60	6 - 4	90149-06973	14 - 13	90445-14M14	6 - 49
GA7-68218-00	15 - 31		12 - 22	F2N-U351K-00	17 - 16		6 - 25	90150-05807	13 - 27	90445-14M24	6 - 12
EU0-68218-04	13 - 9	6AE-82553-00	12 - 31	F2N-U351M-00	17 - 17	90105-10M88	6 - 45	90154-06017	25 - 5	90445-14M25	6 - 18
	22 - 2	62T-82560-11	12 - 32	F2N-U351N-00	17 - 18	90109-06M66	3 - 25	90167-04003	25 - 7	90445-16006	8 - 27
EU0-68221-00	13 - 7	703-82591-00	24 - 21	F2N-U3581-00	17 - 13	90109-08M56	1 - 20	90169-049U1	21 - 10	90445-20805	16 - 6
EU0-68221-30	13 - 8	6B6-83623-00	12 - 35	F2N-U371A-04	19 - 1	90109-10M47	10 - 12	90170-22187	7 - 23	90445-21009	6 - 48
GU2-6822E-01	13 - 16	682-84385-01	6 - 56	F2N-U371B-00	19 - 2	90110-05908	24 - 4	90179-08M15	3 - 4	90445-21010	6 - 15
F3D-6824B-00	13 - 18	62T-85515-00	10 - 6	F2C-U3850-00	19 - 4	90110-06040	16 - 22	90183-06902	14 - 10	90446-07M18	5 - 9
F3D-6824C-00	13 - 20	62T-85520-01	10 - 3	F1K-U411H-00	26 - 7	90111-05008	13 - 15	90201-06906	23 - 6	90446-07M48	5 - 14
FK7-68310-07	24 - 12	62L-8552A-00-8P	12 - 2	F2N-U471E-00	15 - 23	90111-06803	17 - 3	90201-06M31	3 - 26	90446-17MA6	7 - 2
FK7-68312-02	24 - 15	6M6-8552E-01	12 - 3	F1K-U471E-03	15 - 13	90116-08M60	3 - 3	90201-08929	19 - 7	90446-17MF0	5 - 4
FK7-68313-02	24 - 16	62T-85533-00	10 - 4	F2N-U471F-00	15 - 25	90119-059U4	15 - 7	90201-10017	19 - 11		7 - 15
F1S-68341-00	24 - 31	62T-85540-01	12 - 11	F1W-U491K-00	17 - 2		22 - 17	90201-10801	8 - 38		7 - 17
EW2-68348-00	24 - 13	62T-85550-00	10 - 1	F1K-U515A-00	15 - 8	90119-05M02	3 - 30	90201-20M04	2 - 22	90446-20M13	6 - 50
F3D-68571-00	9 - 21	62T-85560-00	10 - 2	F2N-U516P-00	14 - 8	90119-06880	14 - 11	90201-24M02	9 - 13	90446-20M31	6 - 20
F3D-6883B-00	9 - 26	62E-85570-11	12 - 19	F1K-U517D-05	15 - 10		15 - 21	90267-329UR	21 - 12	90446-20MF5	8 - 30
F3D-6883E-00	9 - 23	6M6-85580-00	10 - 5	F1X-U517E-01	15 - 20	90119-06882	14 - 12	90267-48020	7 - 26	90447-07018	23 - 8
6M6-8132W-00	12 - 7	6BU-R1313-00	8 - 33	F2N-U517F-00	15 - 19	90119-06895	8 - 45		15 - 29	90447-13002	7 - 12
6R8-81337-00-8S	10 - 13	6BU-R1318-01	8 - 26	F2N-U517H-01	14 - 16	90119-06920	13 - 6		19 - 22	90447-13016	7 - 5
6M6-81365-A0	10 - 15	6D3-R1319-00	8 - 24	F1K-U517R-00	15 - 12	90119-069UH	21 - 36		21 - 25	90447-15004	6 - 17
	28 - 18	6AE-R1321-00	8 - 25	F1K-U518E-04	15 - 9		24 - 39		22 - 4	90450-14M05	6 - 52
6M6-81800-10	11 - 1	6D3-R1333-01	8 - 36	F2N-U596B-00	15 - 22	90119-069UP	19 - 5	90267-48051	19 - 24		22 - 13
3AJ-81809-00	11 - 2	F1K-U135C-01	15 - 11	F2N-U596C-00	15 - 24	90119-08161	8 - 34		19 - 26	90450-18M09	6 - 53
6M6-81820-00	11 - 7	F1K-U142D-00	25 - 4	F1K-U5983-01	15 - 30	90119-08823	1 - 29	90267-48930	13 - 2	90450-20078	8 - 28
6M6-81826-00	11 - 5	F1K-U143D-01	25 - 2	F1S-U725E-01	8 - 37		8 - 42		13 - 22	90450-99M01	6 - 34
6M6-81830-00	11 - 8	F1K-U143E-01	25 - 3	GJ3-U7560-01	22 - 16	90119-08827	24 - 41		18 - 6	90450-99M02	6 - 35
6M6-8183E-01	11 - 14	GP7-U155D-01	24 - 2	F2N-U7831-10	21 - 6	90119-08836	24 - 37		21 - 29	90450-99M06	6 - 30
6M6-81840-10	11 - 3	GP7-U155F-00	24 - 3	GP7-U7832-01	21 - 7	90119-08855	1 - 28		21 - 32	90460-70M16	6 - 47
11H-81844-00	11 - 4	F1K-U156E-01	25 - 1	GP7-U7833-11	21 - 8	90119-08942	9 - 17		22 - 11	90464-06M29	12 - 12
6M6-81844-00	12 - 6	F2N-U1628-01	16 - 13	GP7-U7834-00	21 - 11	90119-08965	9 - 22	90267-48932	17 - 8	90464-10M38	5 - 18
26H-81847-00	11 - 9	F2N-U1628-02	19 - 17	GP7-U7835-00	21 - 9		12 - 1	90267-48940	24 - 36	90465-06M86	12 - 17
6M6-81850-00	11 - 6	F1K-U1949-00	24 - 42	GP7-U783F-00	21 - 13	90119-089U2	19 - 14	90267-48949	17 - 12	90465-08M69	5 - 17
6M6-81865-00	11 - 16	F1K-U2127-00	18 - 1	F1W-U828M-00	13 - 1	90119-08M11	6 - 11	90269-08801	14 - 2	90465-11M10	3 - 2
6M6-81866-00	11 - 15	F2N-U213B-01	15 - 2		13 - 21	90119-08M55	1 - 18	90280-05013	10 - 11		3 - 17
6M6-81921-00	12 - 4	F2N-U2187-00	18 - 4		21 - 31	90119-08M96	1 - 13	90340-08002	1 - 10		5 - 3
68N-81940-00	12 - 14	F2N-U2188-00	18 - 5		22 - 10	90119-10024	8 - 3	90380-12M29	1 - 17		5 - 10
6M6-81960-A0	12 - 16	F1S-U2280-02	16 - 28	F1G-U8572-02	8 - 43	90119-10055	8 - 32		10 - 14		5 - 15
6AE-82117-00	13 - 28	F2N-U2511-02	17 - 1	F1K-U8577-01	8 - 44	90119-10808	8 - 46	90387-06289	9 - 16		6 - 13
63N-82117-11	13 - 29	F1K-U251D-01	17 - 10	F1S-U883N-01	16 - 23	90119-10M00	1 - 24	90387-08M06	8 - 35		6 - 19
6AE-82117-20	12 - 34	F1K-U251E-01	17 - 11	F1S-U883P-01	16 - 24	90119-10M01	1 - 26	90430-08020	1 - 11		6 - 21
703-82119-00	7 - 20	F2N-U2664-00	19 - 3	F1X-U883T-01	16 - 25	90119-10M02	1 - 23		28 - 3		6 - 33
F1V-82144-00	24 - 32	F1K-U266C-00	14 - 9	62T-W0001-02	28 - 1	90119-10M03	1 - 25	90445-07008	5 - 12		7 - 6
6K8-82150-01	12 - 8	F2N-U271B-01	19 - 9	6BU-W0001-20	28 - 20	90119-10M07	1 - 7	90445-07009	5 - 7		7 - 11
6G1-82151-00	12 - 9	F2N-U2723-00	14 - 1	62T-W0004-00	3 - 12	90119-10M17	6 - 44	90445-10MG1	7 - 13		7 - 14
6K8-82159-00	12 - 10	F2N-U273B-00	8 - 40	62T-W0090-03-8S	1 - 14	90119-10M56	1 - 6	90445-10MG3	7 - 16		7 - 18
62E-82351-01	12 - 21	F1V-U273C-01	13 - 26	67E-W0093-00	29 - 1	90149-03930	23 - 13	90445-11M34	5 - 2		7 - 19
62E-82352-01	12 - 23	F1K-U283B-02	15 - 14	90105-06826	15 - 15	90149-05903	15 - 3	90445-14008	8 - 29		7 - 21

NUMERICAL INDEX

PART NO.	REF. NO.	PART NO.	REF. NO.	PART NO.	REF. NO.	PART NO.	REF. NO.	PART NO.	REF. NO.	PART NO.	REF. NO.
90465-11M10	7 - 22	92990-06100	11 - 12	93606-12019	1 - 4	97902-04122	10 - 8				
	8 - 31	92990-06200	14 - 14		8 - 7	97902-05125	10 - 7				
	12 - 25		15 - 17		9 - 5	97980-05216	3 - 13				
	13 - 13		17 - 4		10 - 16	97980-05330	4 - 21				
	20 - 7	92990-06600	12 - 27	93700-06M03	9 - 3	97980-06216	10 - 10				
	20 - 10	92990-08200	9 - 18	94702-00195	12 - 30		12 - 13				
	20 - 11		15 - 26	95380-06700	11 - 13		12 - 18				
	21 - 17		19 - 15		23 - 7		12 - 28				
	21 - 20	92990-10200	19 - 12	95720-06300	14 - 15	98580-05018	4 - 26				
	21 - 27	92990-12200	16 - 19		15 - 16	98780-04015	1 - 3				
90465-11M59	6 - 22	92995-06600	8 - 6		17 - 5	98980-04008	7 - 24				
90465-12M56	7 - 3		8 - 13		24 - 27	99590-14016	8 - 2				
90467-08M10	13 - 11		8 - 23	95720-08300	9 - 19	99780-12600	16 - 18				
90467-180A3	16 - 2		9 - 15		15 - 27						
90467-200A0	16 - 11		10 - 18		16 - 16						
90468-02001	5 - 11	93101-21001	8 - 18		19 - 8						
	5 - 16		28 - 25		19 - 16						
90480-06M43	12 - 24	93101-21002	8 - 19		19 - 20						
90480-06M46	9 - 11		28 - 24		24 - 30						
90501-14M73	11 - 19	93101-25M55	9 - 7	95720-10300	8 - 39						
90601-12538	16 - 5		28 - 21		19 - 13						
90601-15041	9 - 25	93101-36M46	2 - 16	97013-06070	6 - 41						
90601-15573	21 - 15		28 - 6	97013-08075	6 - 9						
90601-16542	13 - 19	93102-25009	9 - 10	97095-06020	8 - 22						
90601-16875	22 - 6		28 - 22	97095-06025	9 - 14						
90601-20005	16 - 10	93102-36M33	2 - 15		10 - 17						
	22 - 15		28 - 5	97095-06030	8 - 5						
90601-20006	13 - 3	93103-32M01	2 - 17	97095-06035	8 - 12						
	13 - 17		28 - 7	97513-06512	3 - 24						
	13 - 23	93210-13M63	3 - 32	97513-06516	3 - 15						
	13 - 24	93210-464A3	8 - 21	97513-06520	3 - 21						
	21 - 33		28 - 23	97513-06525	3 - 10						
90601-20009	13 - 25	93305-30601	2 - 6		6 - 28						
	21 - 34	93306-205A3	9 - 9	97513-06535	3 - 9						
	22 - 12	93306-205U0	8 - 16	97513-08535	11 - 11						
90669-62015	23 - 10	93306-207U2	2 - 9	97513-08540	11 - 10						
90669-67006	16 - 12	93306-27211	8 - 14	97595-06416	12 - 33						
90669-67009	22 - 14	93306-307U3	2 - 12	97595-06535	5 - 6						
90669-B2002	6 - 59	93310-320U2	2 - 21	97595-06610	12 - 15						
90699-50004	20 - 6	93310-525U3	2 - 11	97780-50220	9 - 24						
	21 - 16	93430-47M04	9 - 8	97780-50510	16 - 9						
90699-50020	21 - 19	93440-25M08	11 - 17		16 - 29						
90699-50090	13 - 10	93440-80023	2 - 14	97780-60525	12 - 5						
90699-50130	21 - 26	93450-18M06	11 - 18	97802-04008	10 - 9						
92903-06600	6 - 42	93450-21053	2 - 23	97880-03008	24 - 14						
	11 - 20	93603-10049	2 - 26	97880-05012	4 - 38						
92903-08600	6 - 10	93604-07141	2 - 27	97880-05025	24 - 17						
92990-05200	17 - 9	93605-12M21	6 - 8	97880-06030	12 - 26						